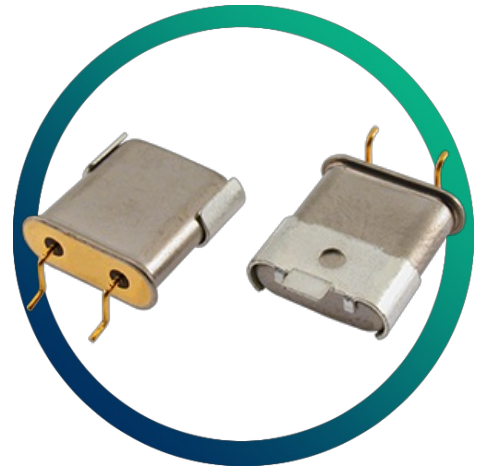


UM-1J

SM Crystal with Formed Leads

- Wide frequency range
- Tight specifications available
- Fundamental mode up to 55.0MHz
- Slim case (2.6mm) available over 20.0MHz

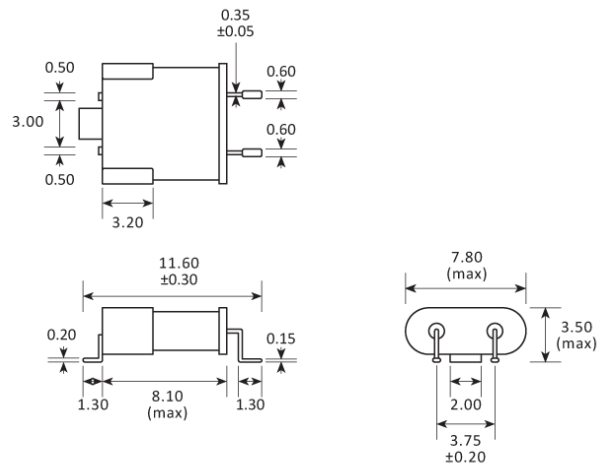
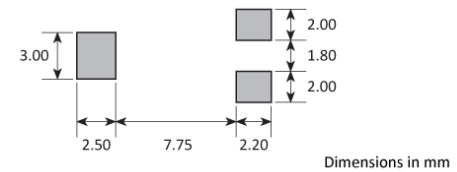


CONFIGURABLE OPTIONS

Parameter	Option Code
Frequency	
Calibration tolerance	
Any	
±5ppm	L
±7.5ppm	M
±10ppm	1
±20ppm	2
±30ppm	3
Temperature stability	
Any	
±5ppm	L
±7.5ppm	M
±10ppm	1
±20ppm	2
±30ppm	3
Operating temperature range	
Any	
0 to +50°C	0
-10 to +60°C	1
-20 to +70°C	2
-30 to +80°C	3
-40 to +85°C	4
Circuit condition	
Any	
12pF	B
16pF	D
20pF	F
30pF	J
Series resonant	S
Oscillation mode	
Any	
Fundamental	F
3rd overtone	3
5th overtone	5
7th overtone	7

SPECIFICATIONS

Frequency range	3.579 ~ 300MHz
Dimensions	11.6 x 7.8 x 3.5mm
Storage temperature range	-40 to +85°C
Static capacitance (C ₀)	7pF max
Equivalent series resistance	200Ω max (3.5 ~ 4.99MHz)
	150Ω max (5.0 ~ 5.99MHz)
	120Ω max (6.0 ~ 6.99MHz)
	100Ω max (7.0 ~ 7.99MHz)
	90Ω max (8.0 ~ 9.99MHz)
	40Ω max (10.0 ~ 15.99MHz)
	30Ω max (16.0 ~ 54.99MHz)
Ageing	45Ω max (30.0 ~ 49.99MHz, 3rd OT)
	60Ω max (50.0 ~ 100MHz, 3rd OT)
	90Ω max (60.0 ~ 150MHz, 5th OT)
	150Ω max (130 ~ 300MHz, 7th OT)
Test drive level	±3ppm max first year
Ageing	100μW
Soldering conditions	260°C, 10sec max x 2

PACKAGE DRAWING

SOLDER PAD LAYOUTS


Dimensions in mm

ORDERING INFORMATION

To request a quotation for the UM-1J please use the configurable options form to choose the options you require and then submit your configured product to our team. Our expert advisers are always happy to help with your requirements and can be contacted on +44 1460 256 100 or at sales@golledge.com.

Following product selection you will be issued with a seven character Golledge part number. Your Golledge part number is the internationally accepted Golledge manufacturing part number (MPN) that should be used for all project documentation, including bills of materials (BoMs) and purchase orders.

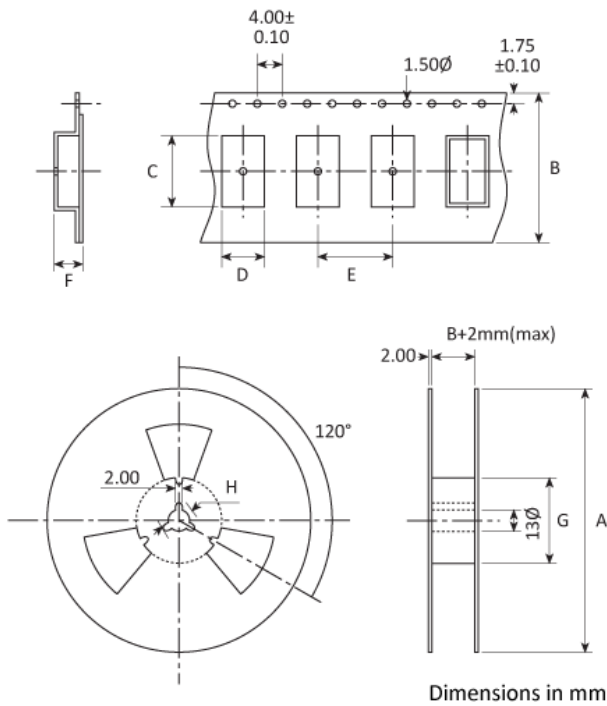
If you have any queries regarding any of our documentation our dedicated sales team will be happy to help.

ESR VALUES

The table shows the maximum ESR values in ohms across the available frequency range of the UM-1J.

Frequency	Oscillation Mode	ESR Value/ohms
3.5 ~ 4.99	Fundamental	200
5.0 ~ 5.99	Fundamental	150
6.0 ~ 6.99	Fundamental	120
7.0 ~ 7.99	Fundamental	100
8.0 ~ 9.99	Fundamental	90
10.0 ~ 15.9	Fundamental	40
16.0 ~ 55.0	Fundamental	30
30.0 ~ 49.0	3rd Overtone	45
50.0 ~ 100	3rd Overtone	60
60.0 ~ 150	5th Overtone	90
130 ~ 300	7th Overtone	150

TAPE & REEL SPECIFICATION



A:330 B:24 C:14.1 D:8.4 E:12 F:4.6 G:80 H:21

CONSTRUCTION

Resistance weld

HANDLING & STORAGE



Human Body Model (HBM) 1A (250V to <500V)



Moisture Sensitivity Level (MSL): 1 (or not applicable)

COMPLIANCE



Lead-free (< 0.1% by weight)



RoHS compliant with no exemptions. [See our declaration](#)



REACH compliant. [See our statement](#)



Free of conflict minerals. [See our declaration](#)



Free of Halogens. [See our declaration](#)



Free of Ozone-depleting substances. [See our declaration](#)