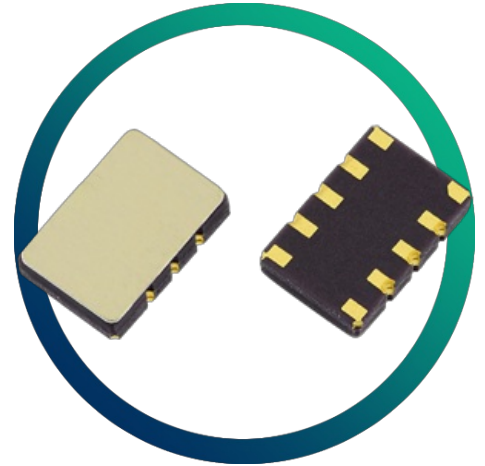


# RV-3129-C3

## RTC I<sup>2</sup>C bus

- Temperature compensated accuracy
- AEC-Q200 compliant option
- Compliant with I2C-Bus interface (400kHz)
- Backup battery input (internal switchover)
- Miniature ceramic package with castellations

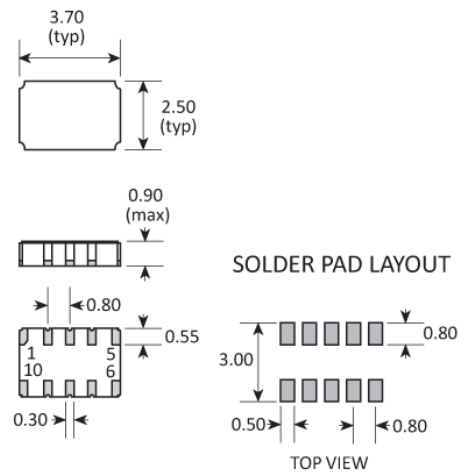


### CONFIGURABLE OPTIONS

Parameter	Option Code
<b>Time accuracy</b>	
Any	
Option A (see specifications table)	A
Option B (see specifications table)	B
<b>Operating temperature range</b>	
Any	
-40 to +85 °C	
-40 to +125 °C	
<b>Qualification</b>	
Any	
Commercial	
AEC-Q200 (Automotive)	A

**SPECIFICATIONS**

Frequencies (selectable)	32.768kHz, 1024Hz, 32Hz, 1Hz
Dimensions	3.7 x 2.5 x 0.9mm
Frequency tolerance @ 25°C	±10ppm typ, ±20ppm max
Time accuracy (option A)	±3ppm max (0.26s/day), 25°C ±4ppm max (0.35s/day), -0+50°C ±5ppm max (0.43s/day), -10+60°C ±6ppm max (0.52s/day), -40+85°C ±8ppm max (0.69s/day), -40+125°C
Time accuracy (option B)	±3ppm max (0.26s/day), 25°C ±5ppm max (0.43s/day), -0+50°C ±10ppm max (0.86s/day), -10+60°C ±25ppm max (2.16s/day), -40+85°C ±30ppm max (2.59s/day), -40+125°C
Storage temperature range	-55 to +125°C
Ageing	±3.0ppm max first year
Supply voltage (V <sub>DD</sub> )	Digitally temperature compensated 2.1 ~ 5.5V I <sup>2</sup> C bus active 1.8 ~ 5.5V Time-keeping mode 1.3 ~ 5.5V
Supply current (V <sub>DD</sub> =3.0V)	0.80µA typ, 1.0µA max
Shock and vibration resistance	±5ppm, 5,000g, 0.3ms, ½ sine ±5ppm, 20g, 10.0 ~ 2,000Hz
Soldering condition	Reflow, 260°C, 20 sec max

**PACKAGE DRAWING**


PAD	CONNECTION	PAD	CONNECTION
1	Clock output enable (CLKOE)	6	Ground and lid (VSS)
2	Supply (VDD)	7	Interrupt output ( $\overline{\text{INT}}$ )
3	Clock output (CLKOUT)	8	Not connected
4	Serial clock input (SCL)	9	Backup supply voltage
5	Serial data (SDA)	10	Not connected

Dimensions in mm

## ORDERING INFORMATION

To request a quotation for the RV-3129-C3 please use the configurable options form to choose the options you require and then submit your configured product to our team. Our expert advisers are always happy to help with your requirements and can be contacted on +44 1460 256 100 or at [sales@golledge.com](mailto:sales@golledge.com).

Following product selection you will be issued with a seven character Golledge part number. Your Golledge part number is the internationally accepted Golledge manufacturing part number (MPN) that should be used for all project documentation, including bills of materials (BoMs) and purchase orders.

If you have any queries regarding any of our documentation our dedicated sales team will be happy to help.

## APPLICATIONS

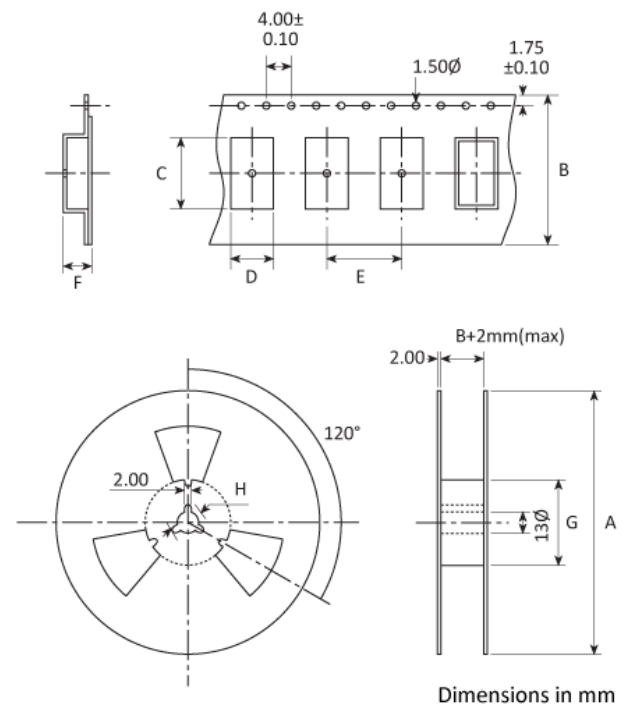
The RV-3129-C3 real time clock is a versatile component suitable for a wide range of applications and uses including:

- Automotive including car radio, GPS and other tracking systems, dashboard devices, tachometers, entertainment systems, and engine control
- Industrial and consumer electronics
- Metering including E-meter and heating counters
- Portable devices
- White goods

## TECHNICAL RESOURCES

[RV-3129-C3\\_App-Manual.pdf](#)

## TAPE & REEL SPECIFICATION



A:178 / B:12 / C:4 / D:2.7 / E:4 / F:1 / G:61.5 / H:21

## HANDLING & STORAGE

---



Human Body Model (HBM) 1A (250V to <500V)



Moisture Sensitivity Level (MSL): 1 (or not applicable)

## COMPLIANCE

---



Lead-free (< 0.1% by weight)



RoHS compliant with no exemptions. [See our](#)

[declaration](#)



REACH compliant. [See our statement](#)



Free of conflict minerals. [See our declaration](#)



Free of Halogens. [See our declaration](#)



Free of Ozone-depleting substances. [See our](#)

[declaration](#)

## CONSTRUCTION

---

Ceramic package with metal lid

## SUPPLY PARTNER

---



The RV-3129-C3 is manufactured by Micro Crystal and stocked and supplied by Golledge.