

OM7604C7

Low Power 32.768kHz SM Oscillator

- Ultra low power consumption
- Ceramic package with metal lid
- Tight frequency tolerance
- Industrial and extended temperature ranges
- High shock and vibration resistance

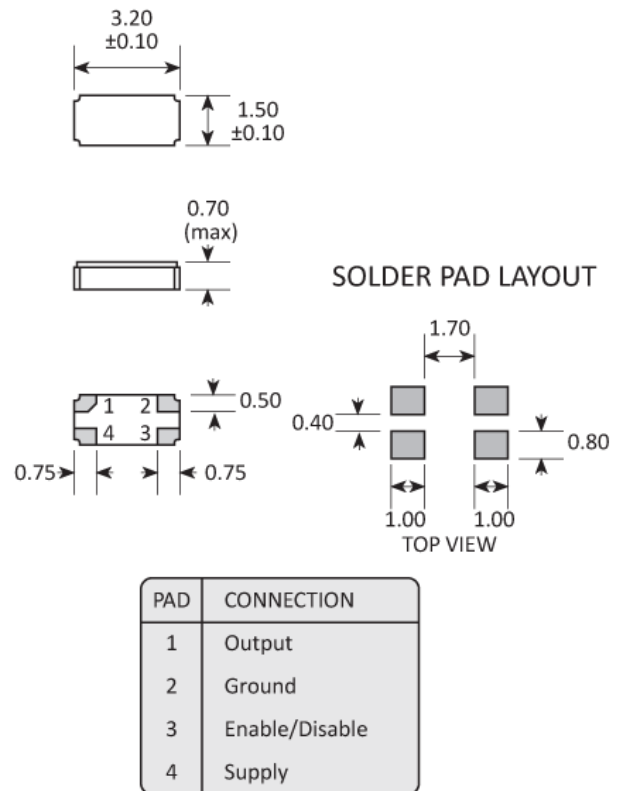


CONFIGURABLE OPTIONS

Parameter	Option Code
Calibration tolerance	
±20ppm max	B
Operating temperature range	
Any	
-40 to +85 °C	
-40 to +125 °C	E
Qualification	
Any	
Commercial	
AEC-Q200 (Automotive)	A

SPECIFICATIONS

Frequency	32.768kHz
Dimensions	3.2 x 1.5 x 0.7mm
Turnover temperature (T ₀)	+25°C ±5°C
Frequency / temp coefficient	-0.035ppm/°C ² ±10%
Storage temperature range	-55 to +125°C
Supply voltage (V _{DD})	Operable from 1.2 ~ 5.5V
Supply current (backup mode)	0.3µA typ, 0.5µA max (V _{DD} 3.0V, output disabled)
Logic levels	'0' level = 0.4V max '1' level = V _{DD} - 0.4V min
Driving ability	10pF CMOS
Voltage coefficient	±1.5ppm/V max
Rise / fall time	70ns typ, 100ns max
Start up time	400ms typ, 800ms max
Enable / disable function	Control via pad 3
Ageing	±3ppm max first year @ 25°C
Shock resistance	±5ppm, 5,000g, 0.3ms ½-sine
Vibration resistance	±5ppm, 20g rms 10.0 ~ 2,000Hz
Soldering condition	Reflow, 260°C, 20 sec max
Net mass	10.6mg

PACKAGE DRAWING


Dimensions in mm

ORDERING INFORMATION

To request a quotation for the OM7604C7 please use the configurable options form to choose the options you require and then submit your configured product to our team. Our expert advisers are always happy to help with your requirements and can be contacted on +44 1460 256 100 or at sales@golledge.com.

Following product selection you will be issued with a seven character Golledge part number. Your Golledge part number is the internationally accepted Golledge manufacturing part number (MPN) that should be used for all project documentation, including bills of materials (BoMs) and purchase orders.

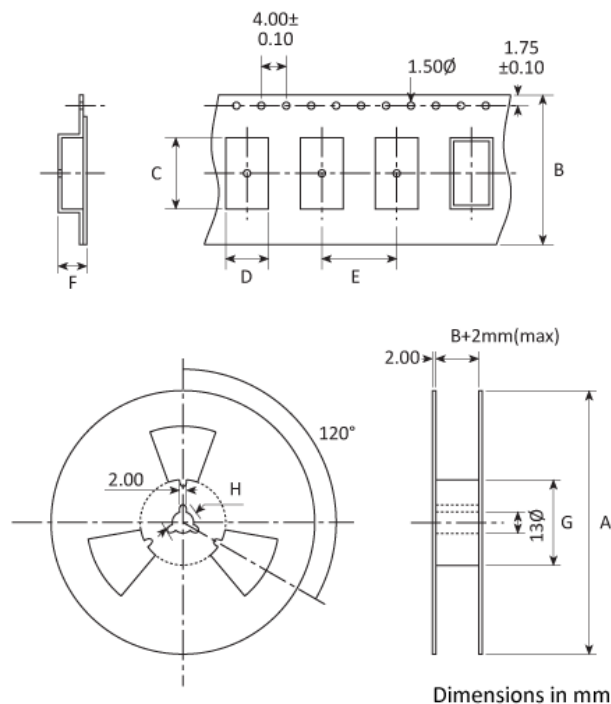
If you have any queries regarding any of our documentation our dedicated sales team will be happy to help.

ENABLE / DISABLE FUNCTION

Input (pad 3)	Output (pad 1)
'1' level	Enabled
'0' level	Disabled

Note: Pad 3 should not be allowed to float

TAPE & REEL SPECIFICATION



A:178 / B:12 / C:3.5 / D:1.8 / E:4 / F:0.9 / G:61 / H:21

HANDLING & STORAGE



Human Body Model (HBM) 1A (250V to <500V)



Moisture Sensitivity Level (MSL): 1 (or not applicable)

CONSTRUCTION

Ceramic base and metal lid

COMPLIANCE



Lead-free (< 0.1% by weight)



RoHS compliant with no exemptions. [See our declaration](#)



REACH compliant. [See our statement](#)



Free of conflict minerals. [See our declaration](#)



Free of Halogens. [See our declaration](#)



Free of Ozone-depleting substances. [See our declaration](#)

BLOCK DIAGRAM

