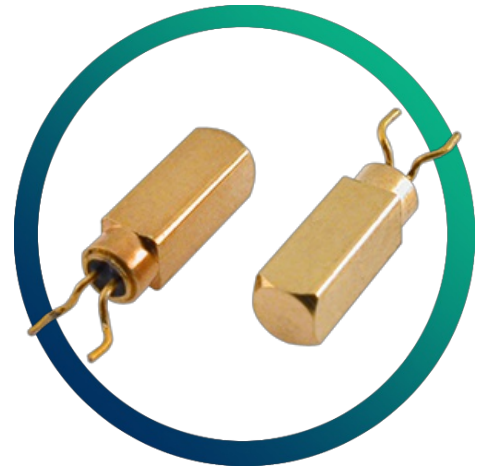


MS1V-T1K

SM Watch Crystal with Square Profile

- Unique square section case for pick & place
- Large stock held at all times
- High shock & vibration resistance
- Wide temperature range

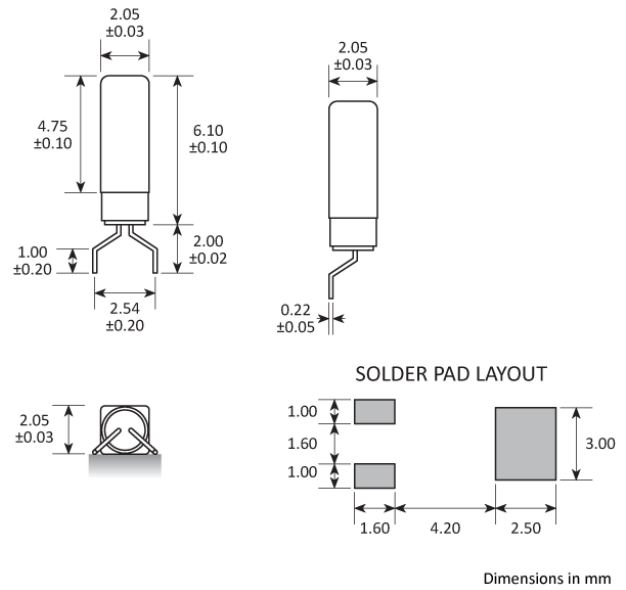


CONFIGURABLE OPTIONS

Parameter	Option Code
Frequency	
32.768kHz	
Calibration tolerance	
Any	
±20ppm	
±30ppm	
±100ppm	
Circuit condition	
Any	
6pF	
7pF	
9pF	
12.5pF	

SPECIFICATIONS

Frequency range	32.0 ~ 200kHz
Dimensions	8.1 x 2.0 x 2.0mm
Standard frequency	32.768kHz
Operating temperature range	-40 to +85°C
Storage temperature range	-55 to +125°C
Static capacitance (C ₀)	0.9pF typ
Motional capacitance (C ₁)	2.1fF typ
Equivalent series resistance	60kΩ max @ 25°C 90kΩ max after reflow
Ageing	±3ppm max first year
Drive level	1.0μW max
Turnover temperature (T ₀)	+25°C ±5°C
Frequency / temp coefficient	-0.035ppm/°C ² ±10% typ
Shock resistance	±5ppm max 5,000g, 0.3ms, ½ sine
Vibration resistance	±5ppm max 20g, 10.0 ~ 2,000Hz
Soldering conditions	260°C, 20sec max
Termination	Gold flashed leads, 2.54mm pitch
Net mass	109mg

PACKAGE DRAWING


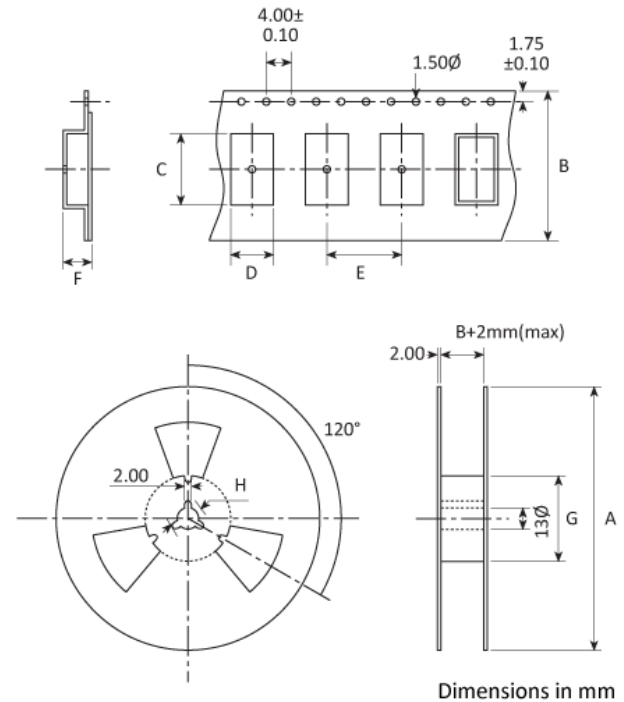
ORDERING INFORMATION

To request a quotation for the MS1V-T1K please use the configurable options form to choose the options you require and then submit your configured product to our team. Our expert advisers are always happy to help with your requirements and can be contacted on +44 1460 256 100 or at sales@golledge.com.

Following product selection you will be issued with a seven character Golledge part number. Your Golledge part number is the internationally accepted Golledge manufacturing part number (MPN) that should be used for all project documentation, including bills of materials (BoMs) and purchase orders.

If you have any queries regarding any of our documentation our dedicated sales team will be happy to help.

TAPE & REEL SPECIFICATION



A:254 B:16 C:9 D:3.1 E:4 F:2.1 G:80 H:25

HANDLING & STORAGE



Human Body Model (HBM) 1A (250V to <500V)



Moisture Sensitivity Level (MSL): 1 (or not applicable)

CONSTRUCTION

Press seal

COMPLIANCE

Please refer to our **DOCUMENTS** section for more information.



RoHS compliant with no exemptions.



REACH compliant.



Free of conflict minerals.



Free from halogens.



Free from ozone-depleting substances.