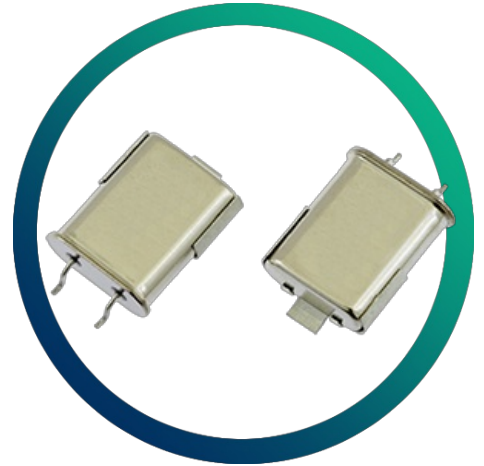


HC49J

Industry Standard SM Crystal with Formed Leads

- Fundamental mode available up to 40.0MHz
- Low cost for volume applications
- Express manufacturing service
- Custom frequencies easily produced
- Tight specifications available

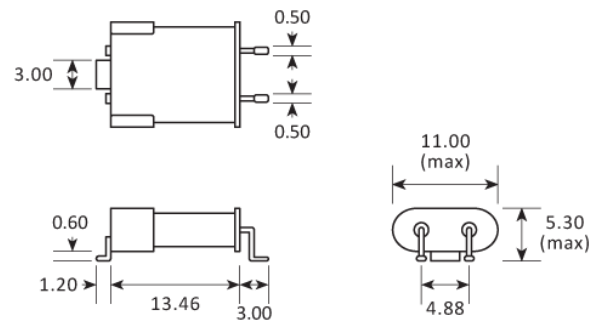
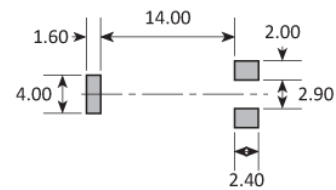


CONFIGURABLE OPTIONS

Parameter	Option Code
Frequency	
Calibration tolerance	
Any	
±10ppm	1
±20ppm	2
±30ppm	3
±50ppm	5
Temperature stability	
Any	
±10ppm	1
±20ppm	2
±30ppm	3
±50ppm	5
Operating temperature range	
Any	
-10 to +60 °C	1
-20 to +70 °C	2
-30 to +80 °C	3
-40 to +85 °C	4
Circuit condition	
Any	
12pF	B
16pF	D
18pF	E
20pF	F
30pF	J
Series resonant	S
Oscillation mode	
Any	
Fundamental	F
3rd overtone	3
5th overtone	5

SPECIFICATIONS

Frequency range	1.0 ~ 160MHz
Dimensions	17.7 x 11.0 x 5.3mm
Package	Resistance weld
Operating temperature range	0 to +50°C
Equivalent series resistance	3000Ω max (1.0MHz) 700Ω max (1.80 ~ 2.0MHz) 500Ω max (>2.0 ~ 2.4MHz) 300Ω max (>2.4 ~ 3.0MHz) 200Ω max (>3.0 ~ 3.2MHz) 150Ω max (>3.2 ~ 3.7MHz) 100Ω max (>3.7 ~ 4.2MHz) 80Ω max (>4.2 ~ 6.0MHz) 50Ω max (>6.0 ~ 9.0MHz) 30Ω max (>9.0 ~ 36.0MHz) 60Ω max (>24.0 ~ 90.0MHz, 3rd OT) 80Ω max (>80.0 ~ 160.0MHz, 5th OT)
Static capacitance (C ₀)	7pF max
Ageing	±3ppm max first year
Test drive level	100μW

PACKAGE DRAWING

SOLDER PAD LAYOUT


Dimensions in mm

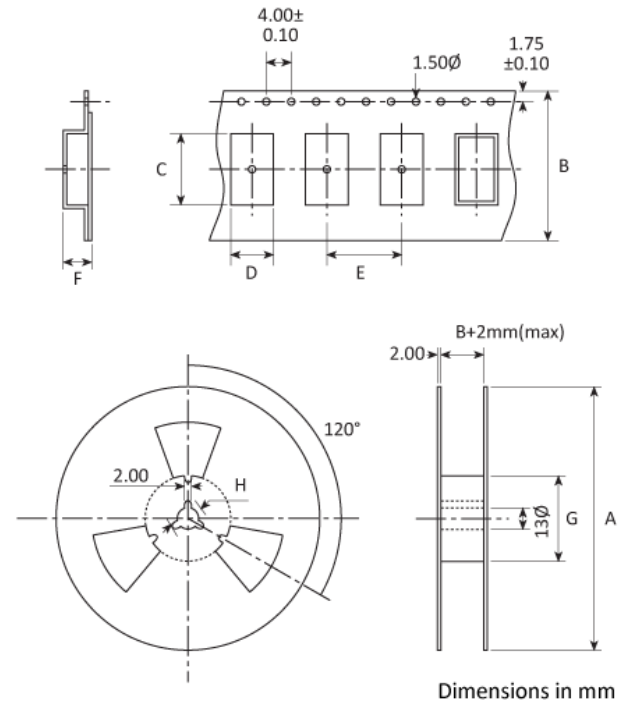
ORDERING INFORMATION

To request a quotation for the HC49J please use the configurable options form to choose the options you require and then submit your configured product to our team. Our expert advisers are always happy to help with your requirements and can be contacted on +44 1460 256 100 or at sales@golledge.com.

Following product selection you will be issued with a seven character Golledge part number. Your Golledge part number is the internationally accepted Golledge manufacturing part number (MPN) that should be used for all project documentation, including bills of materials (BoMs) and purchase orders.

If you have any queries regarding any of our documentation our dedicated sales team will be happy to help.

TAPE & REEL SPECIFICATION



A:330 B:24 C:18.5 D:11.4 E:16 F:5.7 G:100 H:21

HANDLING & STORAGE



Human Body Model (HBM) 1A (250V to <500V)



Moisture Sensitivity Level (MSL): 1 (or not applicable)

CONSTRUCTION

Resistance weld

COMPLIANCE



Lead-free (< 0.1% by weight)



RoHS compliant with no exemptions. [See our](#)

[declaration](#)



REACH compliant. [See our statement](#)



Free of conflict minerals. [See our declaration](#)



Free of Halogens. [See our declaration](#)



Free of Ozone-depleting substances. [See our](#)

[declaration](#)