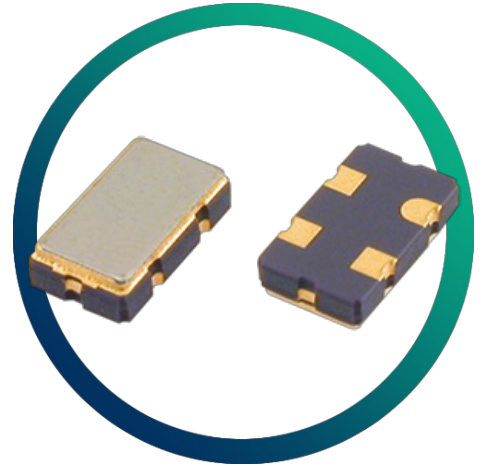


GXO-U113H

5.0V High Drive 4-Pad Oscillator

- High drive capability - up to 50pF
- Enable / disable tristate function



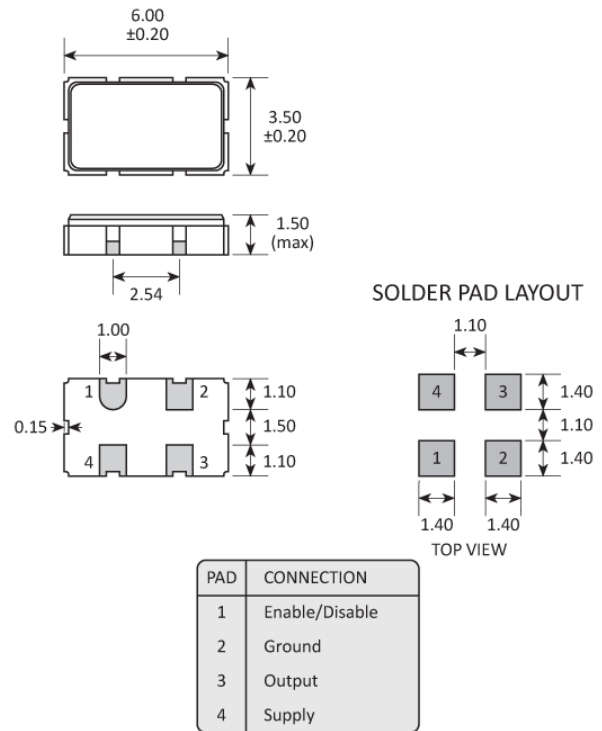
CONFIGURABLE OPTIONS

Parameter	Option Code
Frequency	
Frequency stability	
Any	
±100ppm	
±50ppm	B
±25ppm	A
Operating temperature range	
Any	
-10 to +70 °C	
-40 to +85 °C	I

SPECIFICATIONS

Frequency range	1.8 ~ 50.0MHz
Dimensions	6.0 x 3.5 x 1.5mm
Storage temperature range	-55 to +125 °C
Supply voltage (V_{DD})	+5.0V ($\pm 10\%$)
Supply current	27mA max (1.8 ~ 32.0MHz) 45mA max (>32.0 ~ 50.0MHz)
Logic levels	'0' level = 10% V_{DD} max '1' level = 90% V_{DD} min
Start up time	5ms max (<32MHz) 10ms max (>32MHz)
Waveform symmetry	40:60 max @ 50% V_{DD}
Driving ability	10 TTL 50pF CMOS
Rise / fall time	7ns max
Enable / disable function	Tristate (control via pad 1) 100ns / 100ns max
Stand-by current (power-saving)	10 μ A

PACKAGE DRAWING



Dimensions in mm

ORDERING INFORMATION

To request a quotation for the GXO-U113H please use the configurable options form to choose the options you require and then submit your configured product to our team. Our expert advisers are always happy to help with your requirements and can be contacted on +44 1460 256 100 or at sales@golledge.com.

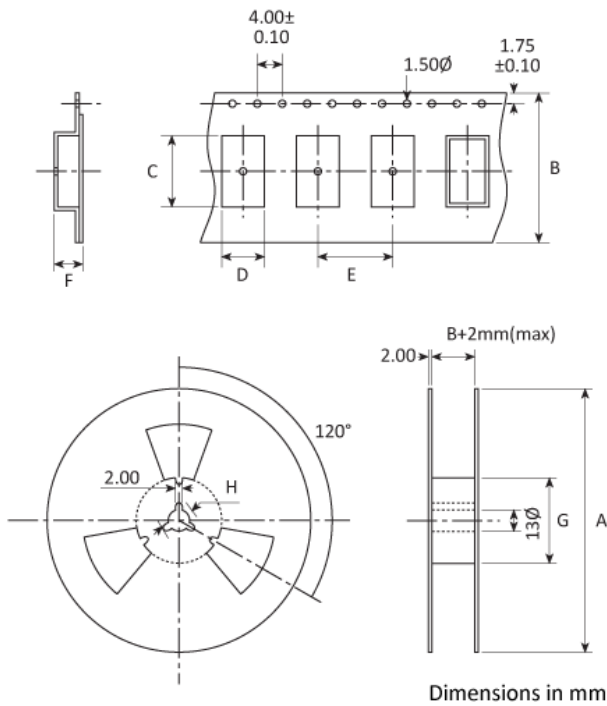
Following product selection you will be issued with a seven character Golledge part number. Your Golledge part number is the internationally accepted Golledge manufacturing part number (MPN) that should be used for all project documentation, including bills of materials (BoMs) and purchase orders.

If you have any queries regarding any of our documentation our dedicated sales team will be happy to help.

ENABLE / DISABLE FUNCTION

Input (pad 1)	Output (pad 3)
Open	Enabled
'1' level	Enabled
'0' level	High Impedance

TAPE & REEL SPECIFICATION



A:255 B:12 C:6.4 D:3.9 E:8 F:1.9 G:80 H:25

CONSTRUCTION

Ceramic base with metal lid

HANDLING & STORAGE



Human Body Model (HBM) 1A (250V to <500V)



Moisture Sensitivity Level (MSL): 1 (or not applicable)

COMPLIANCE



Lead-free (< 0.1% by weight)



RoHS compliant with no exemptions. [See our declaration](#)



REACH compliant. [See our statement](#)



Free of conflict minerals. [See our declaration](#)



Free of Halogens. [See our declaration](#)



Free of Ozone-depleting substances. [See our declaration](#)