

# GXO-L76L

**3.3V UHF Oscillator with LVDS output and enable/disable tristate function**



- LVDS output
- Wide Frequency range
- Enable / disable tristate function
- Short lead times

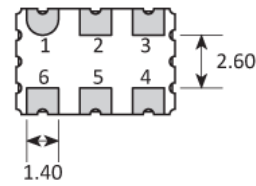
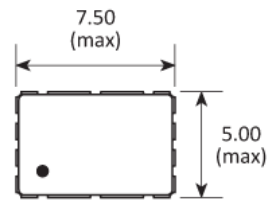
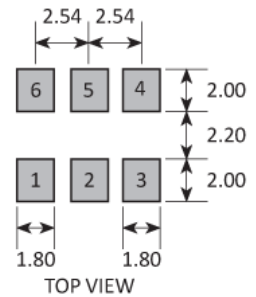
## CONFIGURABLE OPTIONS

| Parameter                               | Option Code |
|---|-------------|
| Frequency                               |             |
| Frequency stability<br>* see note below |             |
| ±50ppm                                  | B           |
| ±25ppm                                  | A           |
| Operating temperature range             |             |
| Any                                     |             |
| -20 to +70 °C                           |             |
| -40 to +85 °C                           | I           |

\* Frequency stability is inclusive of calibration @ 25 °C, operating temperature range, supply voltage change, load change, shock and vibration.

**SPECIFICATIONS**

|                              |                                 |
|------------------------------|---------------------------------|
| Frequency range              | 10.0 ~ 1500.0MHz                |
| Storage temperature range    | -55 to +125°C                   |
| Supply voltage ( $V_{DD}$ )  | +3.3V ( $\pm 5\%$ )             |
| Supply current               | 60mA max                        |
| Output                       | LVDS                            |
| Offset voltage               | 1.25V typ                       |
| Differential output voltage  | 0.33V typ                       |
| Output load                  | 100 $\Omega$                    |
| Start up time                | 10ms max                        |
| Dimensions                   | 7.5 x 5.0 x 1.5mm               |
| Waveform symmetry            | 45:55 max @ 50% $V_{p-p}$       |
| Rise / fall time             | 1.0ns max (20 ~ 80% $V_{p-p}$ ) |
| Enable / disable function    | Tristate (control via pad 1)    |
| Output enable / disable time | 10 ms / 200ns max               |
| Phase jitter RMS             | 3ps max (> 40MHz), 12kHz~20MHz  |

**PACKAGE DRAWING**

**SOLDER PAD LAYOUT**


| PAD | CONNECTION     |
|-----|----------------|
| 1   | Enable/Disable |
| 2   | Not connected  |
| 3   | Ground         |
| 4   | Output 1       |
| 5   | Output 2       |
| 6   | Supply         |

Dimensions in mm

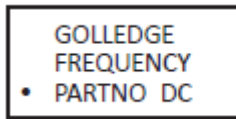
## ORDERING INFORMATION

To request a quotation for the GXO-L76L please use the configurable options form to choose the options you require and then submit your configured product to our team. Our expert advisers are always happy to help with your requirements and can be contacted on +44 1460 256 100 or at [sales@golledge.com](mailto:sales@golledge.com).

Following product selection you will be issued with a seven character Golledge part number. Your Golledge part number is the internationally accepted Golledge manufacturing part number (MPN) that should be used for all project documentation, including bills of materials (BoMs) and purchase orders.

If you have any queries regarding any of our documentation our dedicated sales team will be happy to help.

## MARKING



- Pin 1 Marking type: Laser

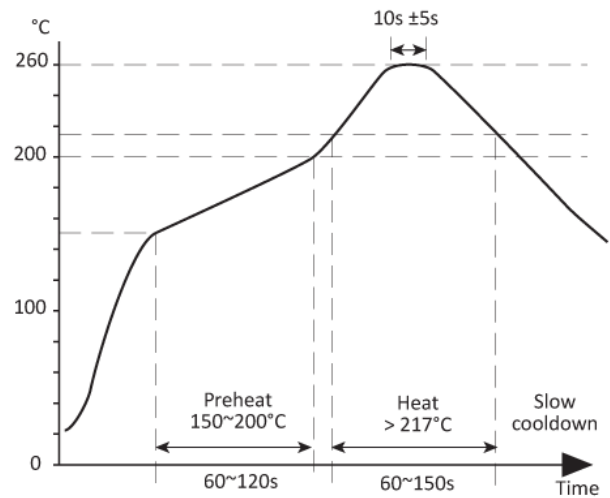
DC = Date Code in YM, eg. "GF" = Jun 2017

|   | A   | B   | C   | D   | E   | F   | G   | H   | J   | K   | L   | M   |
|---|-----|-----|-----|-----|-----|-----|-----|-----|-----|-----|-----|-----|
| Y | 1   | 2   | 3   | 4   | 5   | 6   | 7   | 8   | 9   | 0   |     |     |
| M | Jan | Feb | Mar | Apr | May | Jun | Jul | Aug | Sep | Oct | Nov | Dec |

## ENABLE / DISABLE FUNCTION

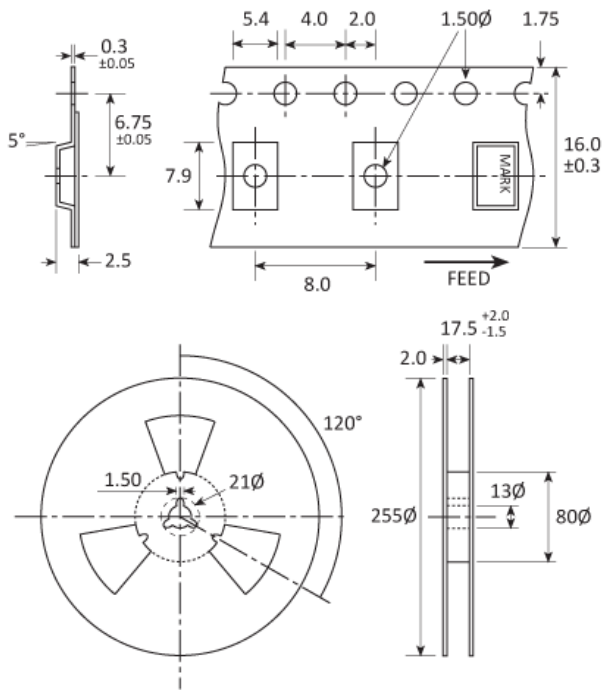
| Input (pad 1)                   | Output 1 (pad 4) | Output 2 (pad 5) |
|---------------------------------|------------------|------------------|
| Open                            | Enabled          | Enabled          |
| '1' level ( $\geq 0.7 V_{DD}$ ) | Enabled          | Enabled          |
| '0' level ( $\leq 0.3 V_{DD}$ ) | High Impedance   | High Impedance   |

## SOLDERING PROFILE



Lead free solderability limits: 260°C ±5°C x 10s ±5s x 2.

## TAPE & REEL SPECIFICATION



Dimensions in mm

## CONSTRUCTION

Ceramic body with gold-plated pads  
Metal lid, seam sealed

## HANDLING & STORAGE



Human Body Model (HBM) 1A (250V to <500V)



Moisture Sensitivity Level (MSL): 1 (or not applicable)

## COMPLIANCE



Lead-free (< 0.1% by weight)



RoHS compliant with no exemptions. [See our declaration](#)



REACH compliant. [See our statement](#)



Free of conflict minerals. [See our declaration](#)



Free of Halogens. [See our declaration](#)



Free of Ozone-depleting substances. [See our declaration](#)