

# GXO-3201E

## 2520 Ultra-Miniature 1.2V Oscillator

- Low 1.2V supply voltage
- Excellent phase jitter
- Enable / disable tristate function
- Miniature 2520 ceramic package with metal lid



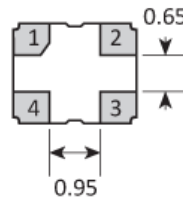
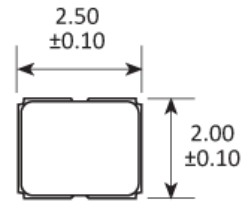
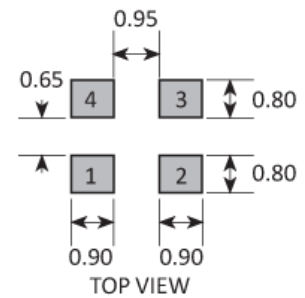
### CONFIGURABLE OPTIONS

Parameter	Option Code
Frequency	
Frequency stability * see note below	
Any	
±100ppm max	
±50ppm max	B
±25ppm max	A
Operating temperature range	
Any	
-20 to +70 °C	
-40 to +85 °C	I

**\*Frequency stability is inclusive of calibration @ 25 °C, operating temperature range, supply voltage change, load change, shock and vibration**

**SPECIFICATIONS**

Frequency range	0.75 ~ 50.0MHz
Dimensions	2.5 x 2.0 x 0.9mm
Storage temperature range	-55 to +100°C
Supply voltage ( $V_{DD}$ )	+1.2V ( $\pm 5\%$ )
Supply current	2.5mA max ( $\leq 40.0$ MHz) 3.5mA max ( $> 40.0 \sim 50.0$ MHz)
Logic levels	'0' level = 10% $V_{DD}$ max '1' level = 90% $V_{DD}$ min
Start up time	10ms max
Waveform symmetry	40:60 @ 50% $V_{DD}$
Driving ability	15pF CMOS
Rise / fall time	10ns max
Enable / disable function	Tristate (control via pad 1) E/D times 10ms / 200ns
Period jitter RMS	8ps max
Phase jitter RMS	1ps max, 12kHz~20MHz
Ageing	$\pm 5$ ppm / year max
Net mass	17.7mg

**PACKAGE DRAWING**

**SOLDER PAD LAYOUT**


PAD	CONNECTION
1	Enable/Disable
2	Ground
3	Output
4	Supply

Dimensions in mm

## ORDERING INFORMATION

To request a quotation for the GXO-3201E please use the configurable options form to choose the options you require and then submit your configured product to our team. Our expert advisers are always happy to help with your requirements and can be contacted on +44 1460 256 100 or at [sales@golledge.com](mailto:sales@golledge.com).

Following product selection you will be issued with a seven character Golledge part number. Your Golledge part number is the internationally accepted Golledge manufacturing part number (MPN) that should be used for all project documentation, including bills of materials (BoMs) and purchase orders.

If you have any queries regarding any of our documentation our dedicated sales team will be happy to help.

## ENABLE / DISABLE FUNCTION

Input (pad 1)	Output (pad 3)
Open	Enabled
'1' level	Enabled
'0' level	High Impedance

## MARKING

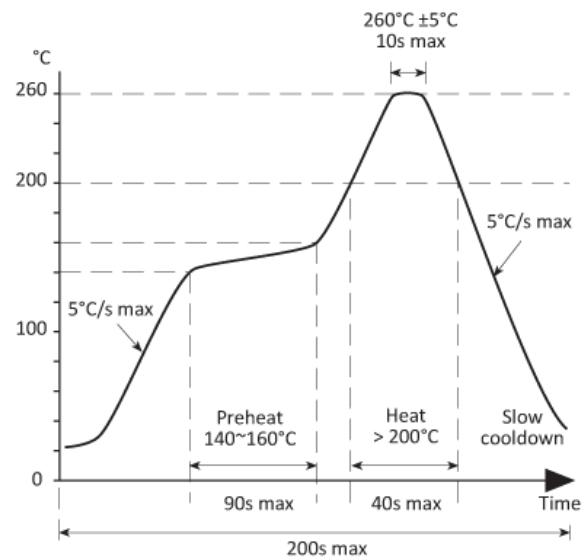
FREQUENCY	
S	DC

Marking type: Laser

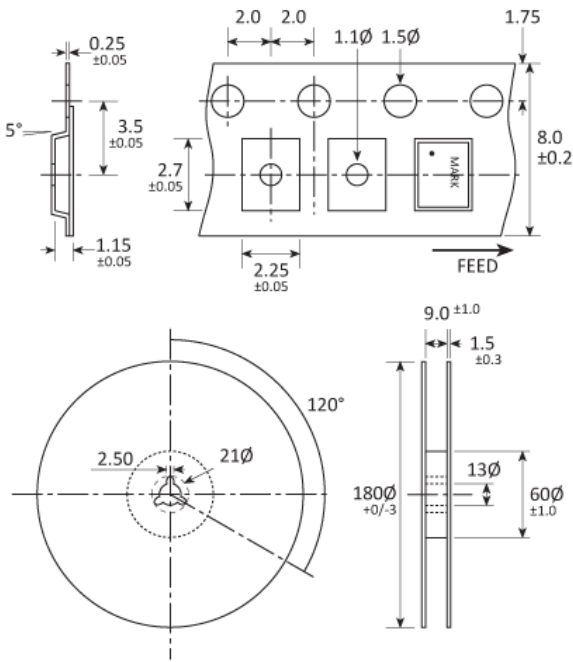
DC = Date Code in YM, eg. "GF" = Jun 2017

	A	B	C	D	E	F	G	H	J	K	L	M
Y	1	2	3	4	5	6	7	8	9	0		
M	Jan	Feb	Mar	Apr	May	Jun	Jul	Aug	Sep	Oct	Nov	Dec

## SOLDERING PROFILE



**TAPE & REEL SPECIFICATION**



Dimensions in mm

**CONSTRUCTION**

Ceramic body with gold-plated pads Metal lid, seam sealed

**HANDLING & STORAGE**



Human Body Model (HBM) 1A (250V to <500V)



Moisture Sensitivity Level (MSL): 1 (or not applicable)

**COMPLIANCE**

**COMPLIANCE**

Please refer to our **DOCUMENTS** section for more information.



Lead-free (< 0.1% by weight)



RoHS compliant with no exemptions.



REACH compliant.



Free of conflict minerals.



Free from halogens.



Free from ozone-depleting substances.