

GVXO-L76L

3.3V VCXO with LVDS output and wide pulling range

- Frequencies up to 1GHz
- LVDS output
- Wide pulling range
- Operation over industrial temperature ranges
- Enable / disable tristate function



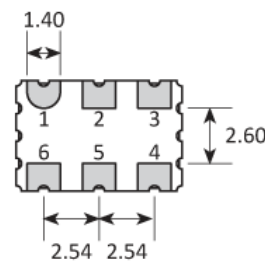
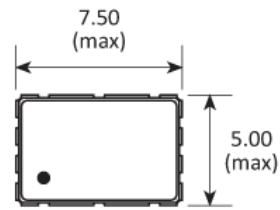
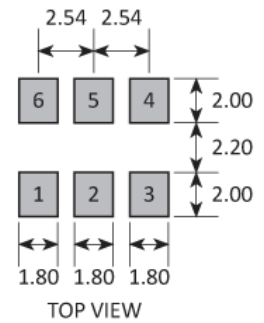
CONFIGURABLE OPTIONS

Parameter	Option Code
Frequency	
Frequency pullability	
±130ppm min	
Frequency stability	
* see note below	
Any	
±50ppm max	B
±25ppm max	C
Operating temperature range	
-40 to +85 °C	I

* Frequency stability is inclusive of operating temperature range, supply voltage change and first year ageing, with $V_{CTL} = +1.65V$

SPECIFICATIONS

Frequency range	10.0MHz ~ 1GHz
Waveform symmetry	45:55 max @ 50%V _{p-p}
Rise / fall time (20% ~ 80%V _{p-p})	1.0ns max
Phase jitter	3ps max (12kHz ~ 20MHz)
Dimensions	7.0 x 5.0 x 1.6mm
Voltage control (V _{CTL})	+1.65V ±1.50V, 10% linearity
Supply voltage (V _{DD})	+3.3V (±5%)
Supply current	60mA max
Storage temperature range	-40 to +85°C
Output	LVDS
Offset voltage	1.25V typ
Differential output voltage	0.35V typ

PACKAGE DRAWING

SOLDER PAD LAYOUT


PAD	CONNECTION
1	Control voltage
2	Enable / disable
3	Ground
4	Output 1 (Q)
5	Output 2 (\bar{Q})
6	Supply

Dimensions in mm

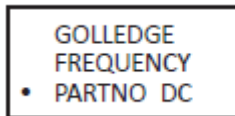
ORDERING INFORMATION

To request a quotation for the GVXO-L76L please use the configurable options form to choose the options you require and then submit your configured product to our team. Our expert advisers are always happy to help with your requirements and can be contacted on +44 1460 256 100 or at sales@golledge.com.

Following product selection you will be issued with a seven character Golledge part number. Your Golledge part number is the internationally accepted Golledge manufacturing part number (MPN) that should be used for all project documentation, including bills of materials (BoMs) and purchase orders.

If you have any queries regarding any of our documentation our dedicated sales team will be happy to help.

MARKING

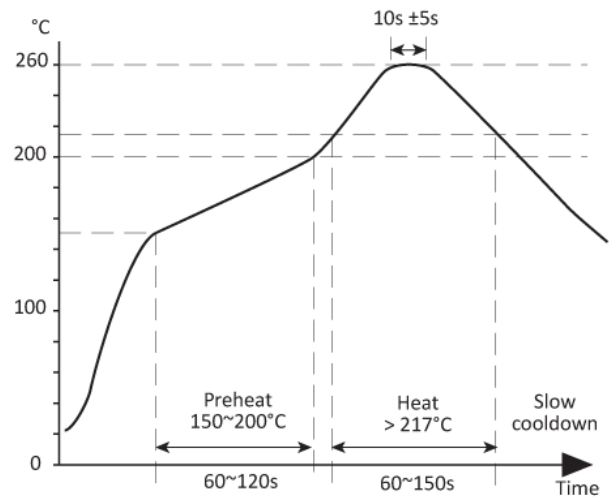


- Pin 1 Marking type: Laser

ENABLE / DISABLE FUNCTION

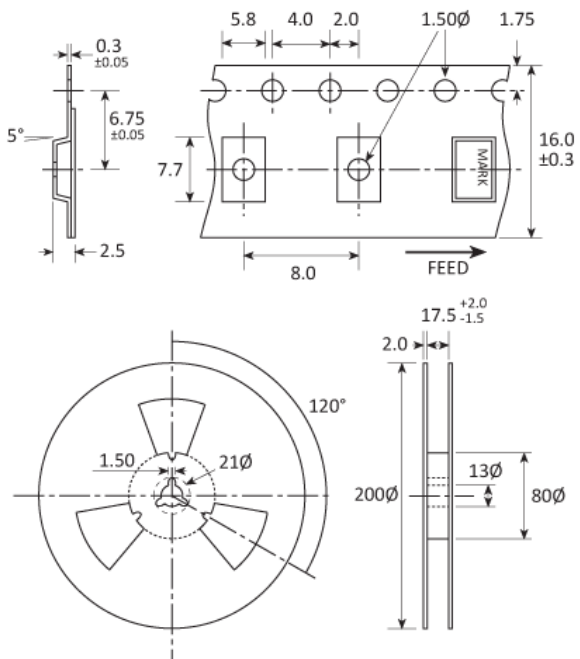
Input (pad 2)	Output 1 (pad 4)	Output 2 (pad 5)
Open	Enabled	Enabled
'1' level ($\geq 0.7 V_{DD}$)	Enabled	Enabled
'0' level ($\leq 0.3 V_{DD}$)	High Impedance	High Impedance

SOLDERING PROFILE



Lead free solderability limits: 260°C ±5°C x 10s ±5s x 2.

TAPE & REEL SPECIFICATION



Dimensions in mm

CONSTRUCTION

Ceramic body with gold-plated pads
Metal lid, seam sealed

HANDLING & STORAGE



Human Body Model (HBM) 1A (250V to <500V)



Moisture Sensitivity Level (MSL): 1 (or not applicable)

COMPLIANCE



Lead-free (< 0.1% by weight)



RoHS compliant with no exemptions. [See our declaration](#)



REACH compliant. [See our statement](#)



Free of conflict minerals. [See our declaration](#)



Free of Halogens. [See our declaration](#)



Free of Ozone-depleting substances. [See our declaration](#)