

# GVXO-E58L

## 3.3V VCXO with LVPECL output and wide pulling range

- Frequencies up to 2.1GHz
- Ultra low noise
- Wide pulling range
- LVPECL output
- Enable / disable tristate function



### CONFIGURABLE OPTIONS

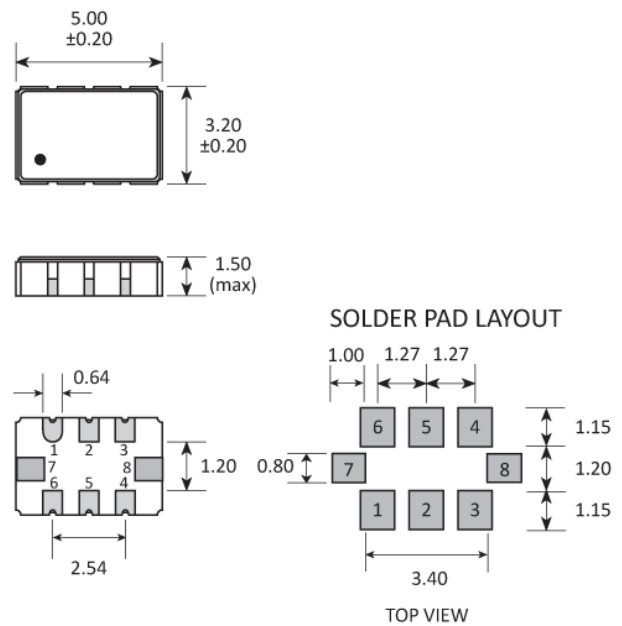
Parameter	Option Code
Frequency	
Frequency pullability	
±150ppm min	
Frequency stability	
* see note below	
Any	
±50ppm max	B
±25ppm max	C
±20ppm max	D
Operating temperature range	
Any	
-20 to +70°C	
-40 to +85°C	I

\* Frequency stability is inclusive of calibration @25°C, operating temperature range, supply voltage change, load change and first year ageing.

## SPECIFICATIONS

Frequency range	15.0 ~ 2100MHz
Dimensions	5.0 x 3.2 x 1.6mm
Voltage control ( $V_{CTL}$ )	+1.65V $\pm$ 1.35V, 10% linearity
Storage temperature range	-40 to +85°C
Supply voltage ( $V_{DD}$ )	+3.3V ( $\pm$ 10%)
Supply current	120mA max
Output	LVPECL
Waveform symmetry	45:55 max @ 50% $V_{p-p}$
Rise / fall time	0.35ns max (20% ~ 80% $V_{p-p}$ )
Startup time	8ms max
Phase jitter	300fs max (12kHz ~ 20MHz)
Enable / disable function	Tristate (control via pad 2)

## PACKAGE DRAWING



PAD	CONNECTION
1	Control voltage
2	Enable / disable
3	Ground
4	Output 1
5	Output 2
6	Supply
7	Not connected
8	Not connected

Dimensions in mm

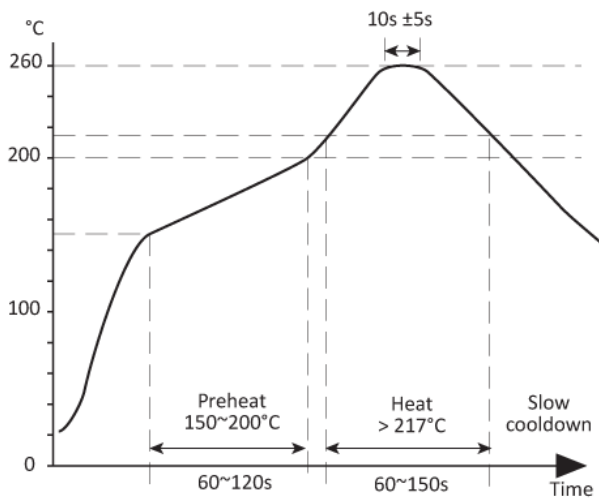
## ORDERING INFORMATION

To request a quotation for the GVXO-E58L please use the configurable options form to choose the options you require and then submit your configured product to our team. Our expert advisers are always happy to help with your requirements and can be contacted on +44 1460 256 100 or at [sales@golledge.com](mailto:sales@golledge.com).

## ENABLE / DISABLE FUNCTION

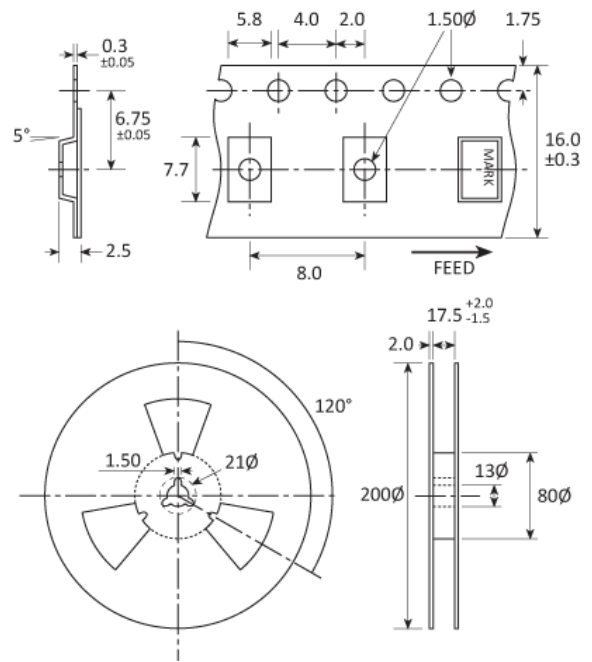
Input (pad 2)	Output 1 (pad 4)	Output 2 (pad 5)
Open	Enabled	Enabled
'1' level ( $\geq 0.7 V_{DD}$ )	Enabled	Enabled
'0' level ( $\leq 0.3 V_{DD}$ )	High Impedance	High Impedance

**SOLDERING PROFILE**



Lead free solderability limits: 260°C ±5°C x 10s ±5s x 2.

**TAPE & REEL SPECIFICATION**



Dimensions in mm

**CONSTRUCTION**

Ceramic body with gold-plated pads, Metal lid, seam sealed