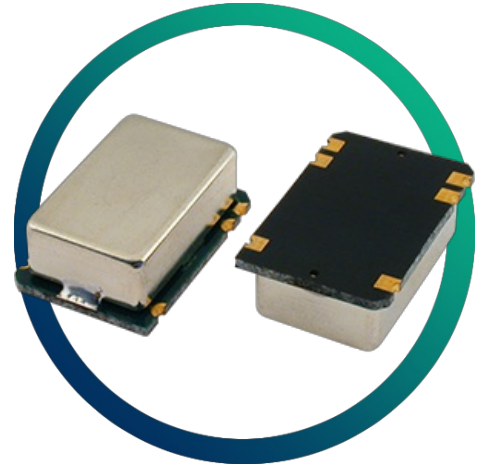


GVXO-38P

VCXO - Complementary PECL output at ultra high frequencies



- High reference frequency
- Complementary PECL output
- Fast rise / fall times
- Enable / disable tristate function
- Metal SM package with glass epoxy base

CONFIGURABLE OPTIONS

Parameter	Option Code
Frequency range	
622.08MHz	
666.51428MHz	
669.32658MHz	
Frequency pullability	
±100ppm min	
Frequency stability	
* see note below	
±50ppm max	

* Stability is inclusive of calibration @ 25°C, operating temperature range, supply voltage change, load change and ageing, with $V_{CTL} = +2.5V$

SPECIFICATIONS

Frequency range	622.08MHz 666.51428MHz 669.32658MHz Other (600 ~ 700MHz)
Dimensions	20.6 x 14.0 x 7.0mm
Voltage control (V_{CTL})	+2.5V \pm 2.0V, 10% linearity, +ve slope
Operating temperature range	-10 to +70°C
Storage temperature range	-40 to +85°C
Supply voltage	+5.0V (\pm 5%)
Supply current	120mA max
Output	Complementary PECL
Test load	$R_{TT} = 50\Omega$ $V_{TT} = +3.0V$
Logic levels	'0' level = +3.4V max '1' level = +3.9V min
Waveform symmetry	40:60 max @ 50% V_{p-p}
Start up time	10ms max
Rise / fall time	0.5ns max (20% ~ 80% V_{p-p})
Enable / disable function	Control via pad 6
Soldering condition	Reflow, 240°C max

ORDERING INFORMATION

To request a quotation for the GVXO-38P please use the configurable options form to choose the options you require and then submit your configured product to our team. Our expert advisers are always happy to help with your requirements and can be contacted on +44 1460 256 100 or at sales@golledge.com.

Once we've received your request our expert team will then produce a quotation tailored to meet your needs using the option codes you've selected.

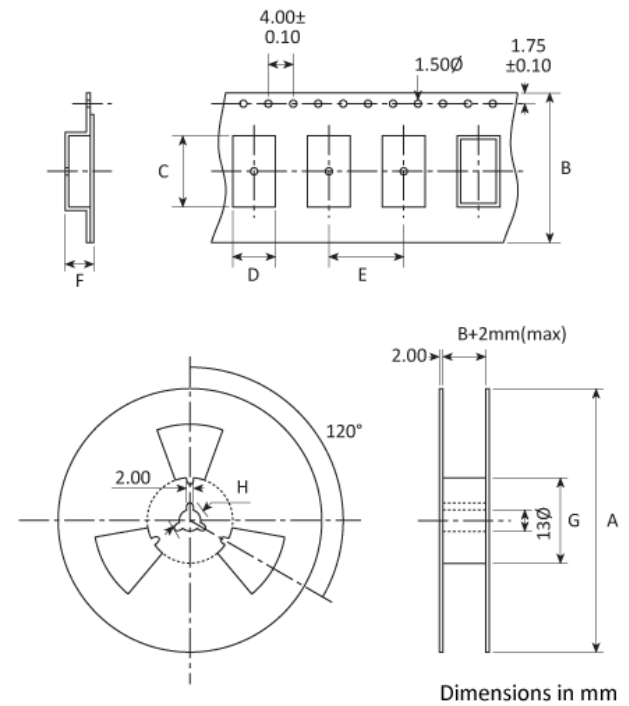
Following product selection you will be issued with a seven character Golledge part number. Your Golledge part number is the internationally accepted Golledge manufacturing part number (MPN) that should be used for all project documentation, including bills of materials (BoMs) and purchase orders.

If you have any queries regarding any of our documentation our dedicated sales team will be happy to help.

ENABLE / DISABLE FUNCTION

Input (pad 6)	Output 1 (pad 8)	Output 2 (pad 9)
Open	Active	Active
'1' level V_{IH}	High ('1')	Low ('0')
'0' level V_{IL}	Active	Active

'0' level: $V_{IL} \leq +3.40V$, '1' level: $V_{IH} \geq +3.9V$

TAPE & REEL SPECIFICATION


A:330 / B:32 / C:21.1 / D:14.6 / E:20 / F:7.6 / G:100 / H:21

HANDLING & STORAGE


Human Body Model (HBM) 1A (250V to <500V)



Moisture Sensitivity Level (MSL): 1 (or not applicable)

CONSTRUCTION

Metal can with glass epoxy base

COMPLIANCE



RoHS compliant with no exemptions. [See our](#)

[declaration](#)



REACH compliant. [See our statement](#)



Free of conflict minerals. [See our declaration](#)



Free of Halogens. [See our declaration](#)



Free of Ozone-depleting substances. [See our](#)

[declaration](#)