

GVXO-36

5V VCXO - High Frequency

- Fundamental mode crystal up to 50MHz
- High frequency CMOS compatible output
- Fast rise / fall times
- Sturdy surface mount package



CONFIGURABLE OPTIONS

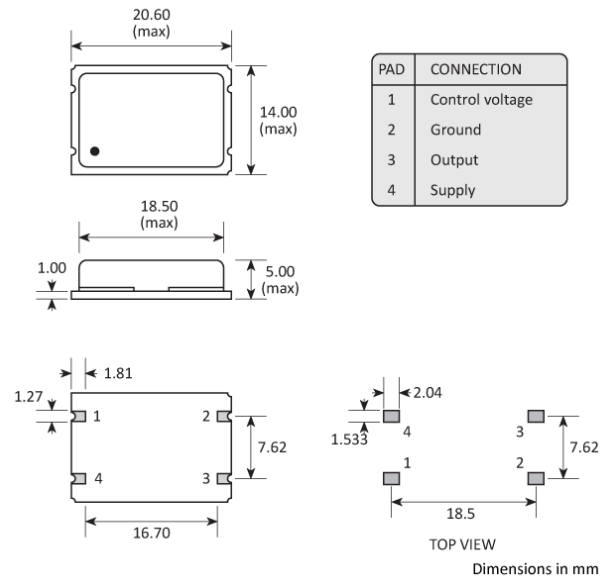
Parameter	Option Code
Frequency	
Frequency pullability	
Any	
±50ppm min	N
±100ppm min	S
Frequency stability	
* see note below	
Any	
±50ppm max	B
±25ppm max	C
Operating temperature range	
Any	
-10 to +70 °C	
-40 to +85 °C	I

*** Frequency stability is inclusive of calibration @ 25 °C, operating temperature range, supply voltage change, load change and ageing, with $V_{CTL} = 2.5V$**

SPECIFICATIONS

Frequency range	12.0 ~ 80.0MHz
Dimensions	20.6 x 14.0 x 5.0mm
Voltage control (V_{CTL})	+2.5V \pm 2.0V, 10% linearity
Storage temperature range	-40 to +85°C
Supply voltage (V_{DD})	+5.0V (\pm 5%)
Supply current	50mA max
Driving ability	15pF CMOS
Logic levels	'0' level = 10% V_{DD} max '1' level = 90% V_{DD} min
Waveform symmetry	40:60 max @ 50% V_{DD}
Start up time	10ms max
Rise / fall time	3ns max (20% ~ 80% V_{DD})
Soldering condition	Reflow, 240°C max

PACKAGE DRAWING



ORDERING INFORMATION

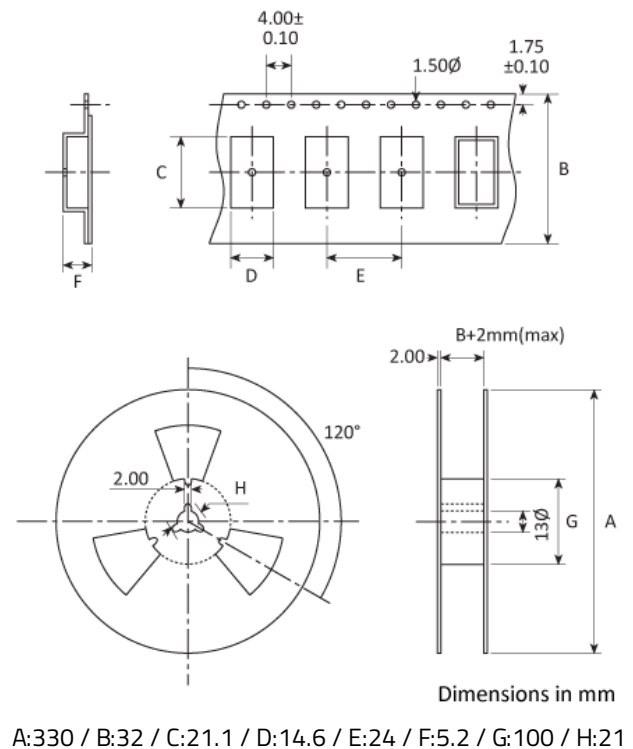
To request a quotation for the GVXO-36 please use the configurable options form to choose the options you require and then submit your configured product to our team. Our expert advisers are always happy to help with your requirements and can be contacted on +44 1460 256 100 or at sales@golledge.com.

Once we've received your request our expert team will then produce a quotation tailored to meet your needs using the option codes you've selected.

Following product selection you will be issued with a seven character Golledge part number. Your Golledge part number is the internationally accepted Golledge manufacturing part number (MPN) that should be used for all project documentation, including bills of materials (BoMs) and purchase orders.

If you have any queries regarding any of our documentation our dedicated sales team will be happy to help.

TAPE & REEL SPECIFICATION



HANDLING & STORAGE



Human Body Model (HBM) 1A (250V to <500V)



Moisture Sensitivity Level (MSL): 1 (or not applicable)

CONSTRUCTION

Metal can with glass epoxy base

COMPLIANCE



RoHS compliant with no exemptions. [See our](#)

[declaration](#)



REACH compliant. [See our statement](#)



Free of conflict minerals. [See our declaration](#)



Free of Halogens. [See our declaration](#)



Free of Ozone-depleting substances. [See our](#)

[declaration](#)