

GVXO-34L

3.3V VCXO - Complementary LV-PECL Output



- Complementary LV-PECL outputs
- Fast rise / fall times
- Popular telecoms package layout
- Enable / disable tristate function

CONFIGURABLE OPTIONS

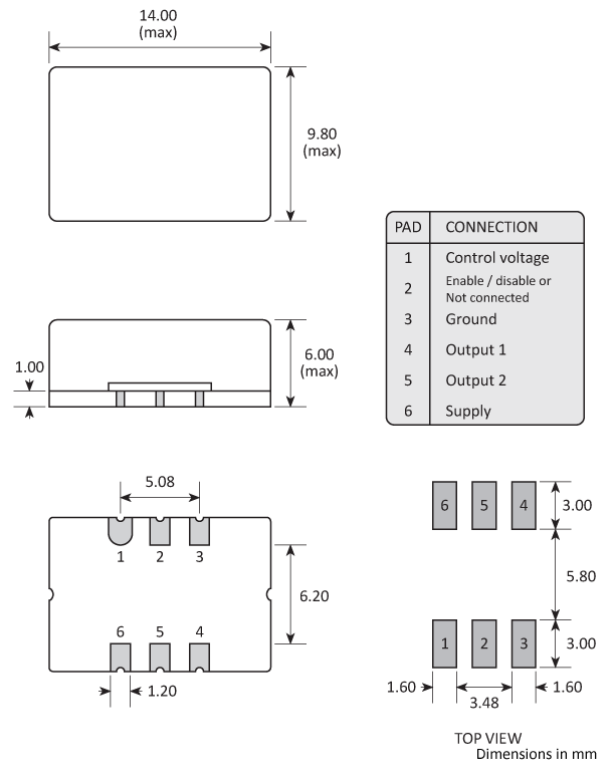
Parameter	Option Code
Frequency	
Frequency pullability	
±80ppm min	
Frequency stability	
* see note below	
±50ppm max	
Enable / disable function	
Any	
Control via pad 2	
None (pad 2 NC)	N

* Frequency stability is inclusive of calibration @ 25°C, operating temperature range, supply voltage change, load change and ageing, with $V_{CTL} = 50\% V_{DD}$

SPECIFICATIONS

Frequency range	50.0 ~ 800MHz
Dimensions	14.0 x 9.8 x 6.0mm
Voltage control (V_{CTL})	+1.65V \pm 1.5V, 10% linearity
Operating temperature range	-10 to +70 °C
Storage temperature range	-40 to +85 °C
Supply voltage (V_{CC})	+3.3V (\pm 5%)
Supply current	60mA max (50.0 ~ 170MHz) 120mA max (170 ~ 800MHz)
Output	Complementary LV-PECL
Test load	$R_{TT} = 50\Omega$ $V_{TT} = +1.3V$
Logic levels	'0' level = 1.7V max '1' level = 2.2V min
Waveform symmetry	40:60 max @ 50% V_{p-p}
Start up time	10ms max
Rise / fall time	0.5ns max (20% ~ 80% V_{p-p})
Soldering condition	Reflow, 240 °C max

PACKAGE DRAWING



ORDERING INFORMATION

To request a quotation for the GVXO-34L please use the configurable options form to choose the options you require and then submit your configured product to our team. Our expert advisers are always happy to help with your requirements and can be contacted on +44 1460 256 100 or at sales@golledge.com.

Once we've received your request our expert team will then produce a quotation tailored to meet your needs using the option codes you've selected.

Following product selection you will be issued with a seven character Golledge part number. Your Golledge part number is the internationally accepted Golledge manufacturing part number (MPN) that should be used for all project documentation, including bills of materials (BoMs) and purchase orders.

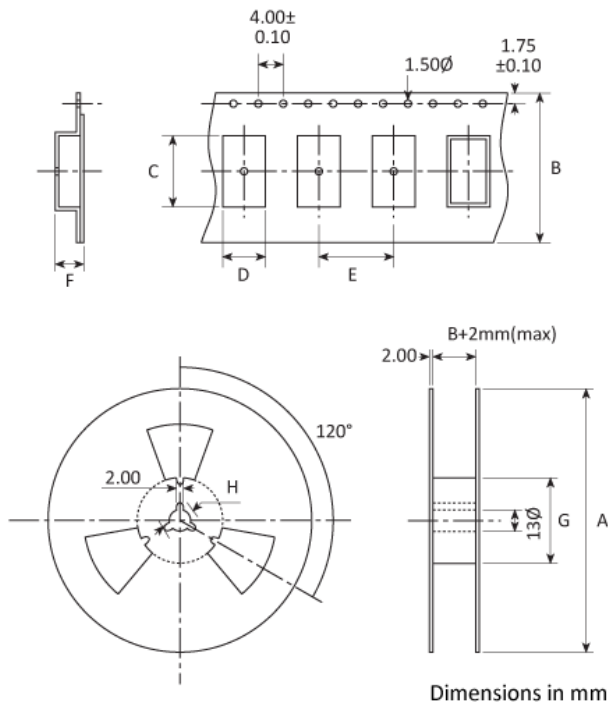
If you have any queries regarding any of our documentation our dedicated sales team will be happy to help.

ENABLE / DISABLE FUNCTION

Input (pad 2)	Output 1 (pad 4)	Output 2 (pad 5)
Open	Active	Active
'1' level V_{IH}	High ('1')	Low ('0')
'0' level V_{IL}	Active	Active

'0' level: $V_{IL} \leq +1.70V$, '1' level: $V_{IH} \geq +2.20V$

TAPE & REEL SPECIFICATION



A:330 / B:24 / C:14.4 / D:10.8 / E:16 / F:6 / G:80 / H:21

CONSTRUCTION

Metal can with glass epoxy base

HANDLING & STORAGE



Human Body Model (HBM) 1A (250V to <500V)



Moisture Sensitivity Level (MSL): 1 (or not applicable)

COMPLIANCE



RoHS compliant with no exemptions. [See our declaration](#)



REACH compliant. [See our statement](#)



Free of conflict minerals. [See our declaration](#)



Free of Halogens. [See our declaration](#)



Free of Ozone-depleting substances. [See our declaration](#)