

GVXO-338G

CMOS 1.8V surface mount VCXO with low current consumption

- Low current consumption
- 1.8V supply
- Miniature SM package
- Competitive pricing



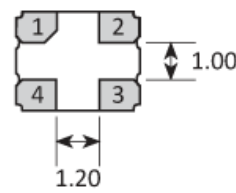
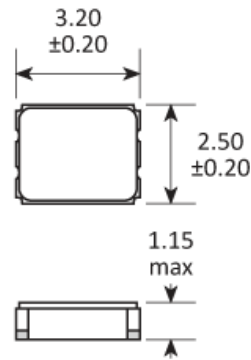
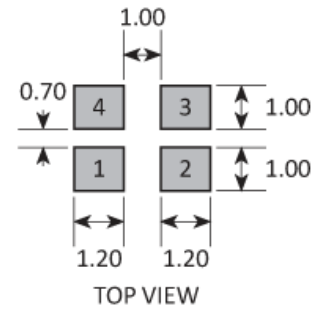
CONFIGURABLE OPTIONS

Parameter	Option Code
Frequency	
Frequency pullability	
±90ppm min	R
±100ppm min	S
Frequency stability * see note below	
Any	
±50ppm max	B
±25ppm max	C
Operating temperature range	
Any	
-20 to +70 °C	
-40 to +85 °C	I

* Frequency stability is inclusive of calibration @ 25 °C, operating temperature range, supply voltage change, load change and ageing, with $V_{CTL} = 50\%V_{DD}$

SPECIFICATIONS

Frequency range	1.250 ~ 100.0MHz
Dimensions	3.2 x 2.5 x 1.15mm
Voltage control	+0.9V ±0.85V, 10% linearity
Storage temperature range	-40 to +85°C
Supply voltage (V _{DD})	+1.8V (±5%)
Supply current	3mA max
Driving ability	15pF CMOS
Logic levels	'0' level = 10%V _{DD} max '1' level = 90%V _{DD} min
Waveform symmetry	40:60 max @ 50%V _{DD}
Rise / fall time (20%~80%V _{DD})	5ns max
Start up time	10ms max
Net mass	27.1mg

PACKAGE DRAWING

SOLDER PAD LAYOUT


PAD	CONNECTION
1	Control voltage
2	Ground
3	Output
4	Supply

Dimensions in mm

ORDERING INFORMATION

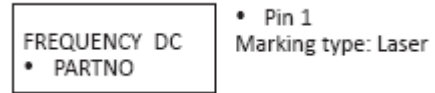
To request a quotation for the GVXO-338G please use the configurable options form to choose the options you require and then submit your configured product to our team. Our expert advisers are always happy to help with your requirements and can be contacted on +44 1460 256 100 or at sales@golledge.com.

Once we've received your request our expert team will then produce a quotation tailored to meet your needs using the option codes you've selected.

Following product selection you will be issued with a seven character Golledge part number. Your Golledge part number is the internationally accepted Golledge manufacturing part number (MPN) that should be used for all project documentation, including bills of materials (BoMs) and purchase orders.

If you have any queries regarding any of our documentation our dedicated sales team will be happy to help.

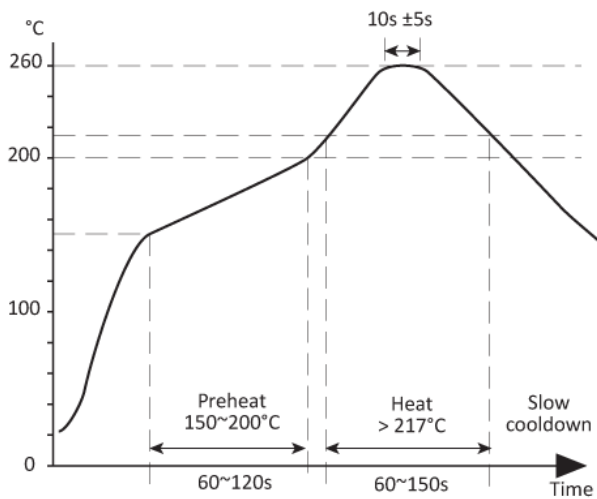
MARKING



DC = Date Code in YM, eg. "GF" = Jun 2017

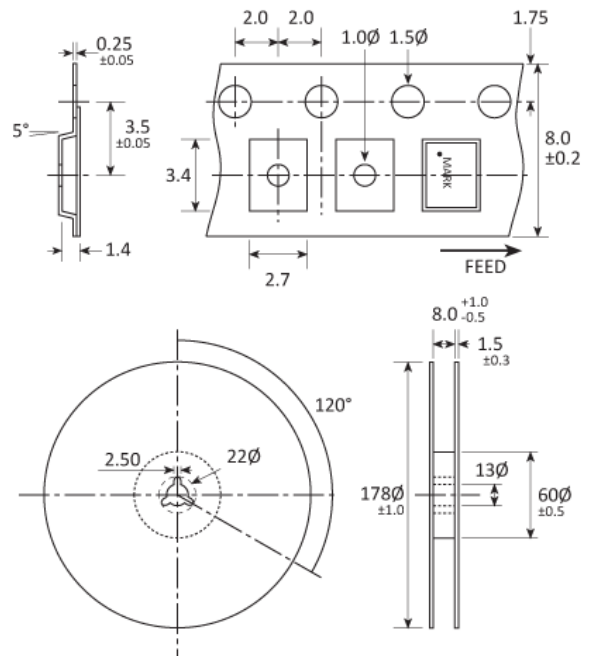
	A	B	C	D	E	F	G	H	J	K	L	M
Y	1	2	3	4	5	6	7	8	9	0		
M	Jan	Feb	Mar	Apr	May	Jun	Jul	Aug	Sep	Oct	Nov	Dec

SOLDERING PROFILE



Lead free solderability limits: 260°C ±5°C x 10s ±5s x 2.

TAPE & REEL SPECIFICATION



Dimensions in mm

HANDLING & STORAGE



Human Body Model (HBM) 1A (250V to <500V)



Moisture Sensitivity Level (MSL): 1 (or not applicable)

CONSTRUCTION

Ceramic body with gold-plated pads

Metal lid

Seam sealed

COMPLIANCE

Please refer to our **DOCUMENTS** section for more information.



Lead-free (< 0.1% by weight)



RoHS compliant with no exemptions.



REACH compliant.



Free of conflict minerals.



Free from halogens.



Free from ozone-depleting substances.