

# GVXO-32S

## 5V High Frequency VCXO

- CMOS compatible output
- Low jitter and fast rise / fall times
- Popular telecoms package layout
- Enable / disable tristate function



### CONFIGURABLE OPTIONS

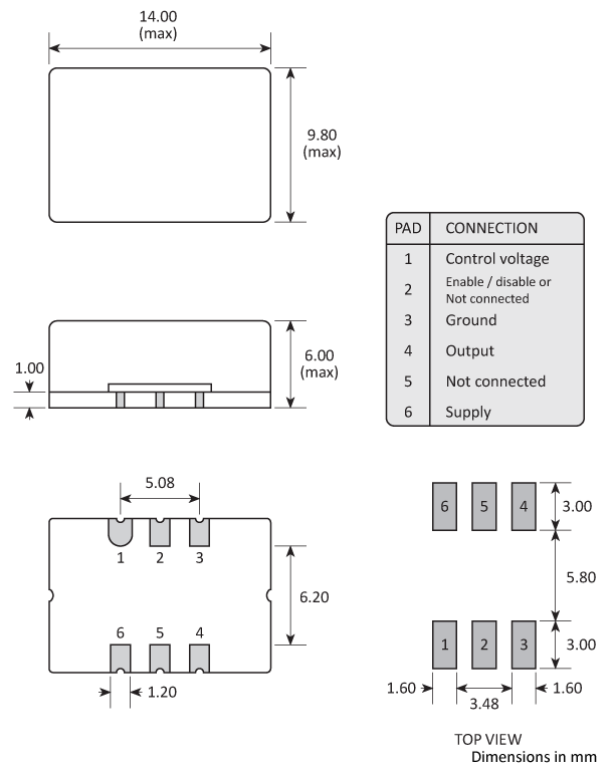
| Parameter                    | Option Code |
|------------------------------|-------------|
| Frequency                    |             |
| Frequency pullability        |             |
| ±100ppm min                  |             |
| Frequency stability          |             |
| * see note below             |             |
| ±50ppm max                   |             |
| Enable / disable function    |             |
| Any                          |             |
| Tristate (control via pad 2) |             |
| None (pad 2 NC)              | N           |

\* Frequency stability is inclusive of calibration @ 25°C, operating temperature range, supply voltage change, load change and ageing, with  $V_{CTL} = 50\% V_{DD}$

## SPECIFICATIONS

|                               |  |
|-------------------------------|--|
| Frequency range               | 52.0 ~ 160MHz  |
| Dimensions                    | 14.0 x 9.8 x 6.0mm   |
| Voltage control ( $V_{CTL}$ ) | +2.5V $\pm$ 2.0V, 10% linearity                              |
| Operating temperature range   | -10 to +70 °C  |
| Storage temperature range     | -40 to +85 °C  |
| Supply voltage ( $V_{DD}$ )   | +5.0V ( $\pm$ 5%)  |
| Supply current                | 80mA max   |
| Driving ability               | 15pF CMOS  |
| Logic levels                  | '0' level = 10% $V_{DD}$ max<br>'1' level = 90% $V_{DD}$ min |
| Waveform symmetry             | 40:60 max @ 50% $V_{DD}$                                     |
| Start up time                 | 10ms max   |
| Rise / fall time              | 3ns max (20% ~ 80% $V_{DD}$ )                                |
| Soldering condition           | Reflow, 240 °C max   |

## PACKAGE DRAWING



## ORDERING INFORMATION

To request a quotation for the GVXO-32S please use the configurable options form to choose the options you require and then submit your configured product to our team. Our expert advisers are always happy to help with your requirements and can be contacted on +44 1460 256 100 or at [sales@golledge.com](mailto:sales@golledge.com).

Once we've received your request our expert team will then produce a quotation tailored to meet your needs using the option codes you've selected.

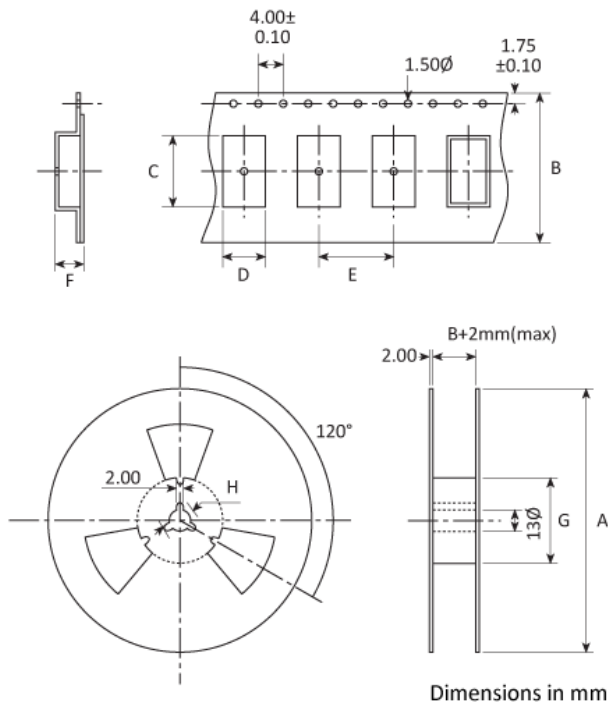
Following product selection you will be issued with a seven character Golledge part number. Your Golledge part number is the internationally accepted Golledge manufacturing part number (MPN) that should be used for all project documentation, including bills of materials (BoMs) and purchase orders.

If you have any queries regarding any of our documentation our dedicated sales team will be happy to help.

## ENABLE / DISABLE FUNCTION

| Input (pad 2)      | Output (pad 4) |
|--------------------|----------------|
| Open               | Active         |
| '1' level $V_{IH}$ | Active         |
| '0' level $V_{IL}$ | High Impedance |

## TAPE & REEL SPECIFICATION



A:330 / B:24 / C:14.4 / D:10.8 / E:16 / F:6 / G:80 / H:21

## CONSTRUCTION

Metal can with glass epoxy base

## HANDLING & STORAGE



Human Body Model (HBM) 1A (250V to <500V)



Moisture Sensitivity Level (MSL): 1 (or not applicable)

## COMPLIANCE



RoHS compliant with no exemptions. [See our declaration](#)



REACH compliant. [See our statement](#)



Free of conflict minerals. [See our declaration](#)



Free of Halogens. [See our declaration](#)



Free of Ozone-depleting substances. [See our declaration](#)