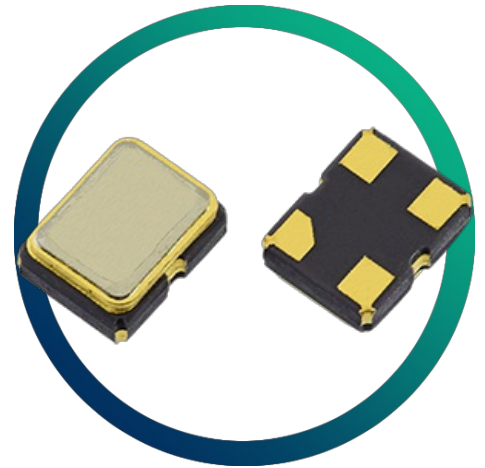


GTXO-91V

Miniature SM VCTCXO with Clipped Sine Output and $\pm 0.5\text{ppm}$ Stability Option



- Ideally suited for wireless applications
- Supply voltage from 1.8V ~ 3.3V
- Excellent frequency stability over -40 to $+85^\circ\text{C}$
- Excellent phase noise
- Industry standard 3225 package

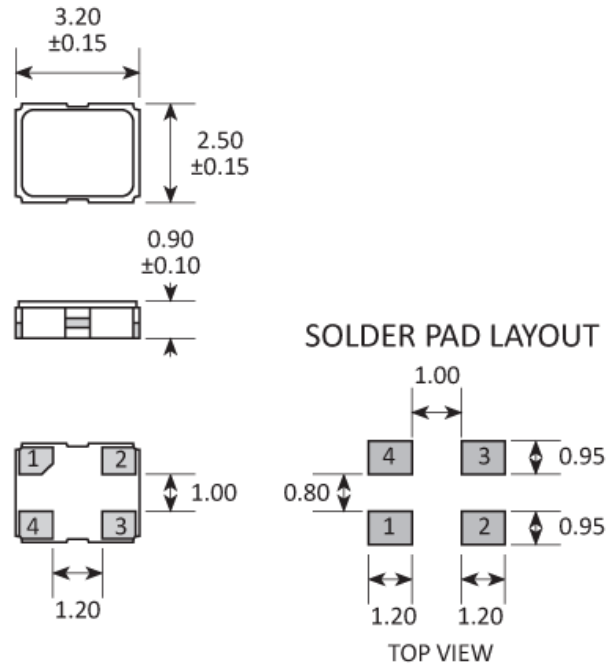
CONFIGURABLE OPTIONS

Parameter	Option Code
Frequency	
Temperature stability	
Any	
$\pm 2.5\text{ppm max}$	J
$\pm 2.0\text{ppm max}$	H
$\pm 1.5\text{ppm max}$	G
$\pm 1.0\text{ppm max}$	F
$\pm 0.5\text{ppm max}$	E
Temperature range	
Any	
-20 to $+70^\circ\text{C}$	N
-30 to $+75^\circ\text{C}$	S
-40 to $+85^\circ\text{C}$	I
Supply voltage (V_{DD})	
Any	
$+1.8\text{V}$	G
$+2.3\text{V} \sim +3.3\text{V}$	

* Will operate within specification on any supply voltage from $+2.3\text{V}$ to $+3.3\text{V}$

SPECIFICATIONS

Frequency range	8.0 ~ 52.0MHz
Dimensions	3.2 x 2.5 x 1.0mm
Storage temperature range	-40 to +85°C
Supply voltage stability	±0.2ppm, $V_{DD} \pm 5\%$
Load stability	±0.2ppm, $Z_L \pm 10\%$
Ageing	±1.0ppm max first year
Supply current	1.5mA max (8.0 ~ 26.0MHz) 2.0mA max (26.0 ~ 32.0MHz) 2.5mA max (32.0 ~ 52.0MHz)
Output waveform	Clipped sine, 0.8V p-p, +DC offset
Test load (Z_L)	10kΩ // 10pF
Start up time	2.5ms max
Frequency adjustment	±8ppm min, $1.5 \pm 1.0V$ ±8ppm min, $+0.9 \pm 0.9V$ ($V_{DD}=1.8V$)
Phase noise (typ @ 20.0MHz)	-90dBc/Hz @ 10Hz -119dBc/Hz @ 100Hz -151dBc/Hz @ 10kHz -153dBc/Hz @ 100kHz
Frequency tolerance @ 25°C	±2.0ppm max, 60mins after reflow

PACKAGE DRAWING


PAD	CONNECTION
1	Freq adjustment
2	Ground
3	Output
4	Supply

Dimensions in mm

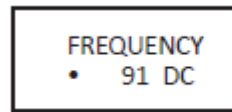
ORDERING INFORMATION

To request a quotation for the GTXO-91V please use the configurable options form to choose the options you require and then submit your configured product to our team. Our expert advisers are always happy to help with your requirements and can be contacted on +44 1460 256 100 or at sales@golledge.com.

Following product selection you will be issued with a seven character Golledge part number. Your Golledge part number is the internationally accepted Golledge manufacturing part number (MPN) that should be used for all project documentation, including bills of materials (BoMs) and purchase orders.

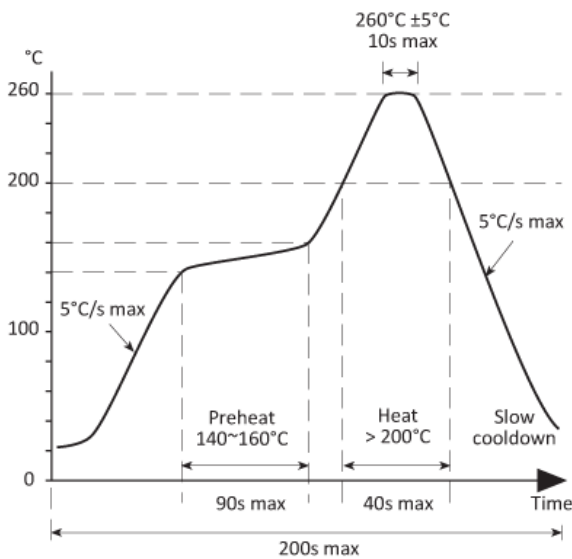
If you have any queries regarding any of our documentation our dedicated sales team will be happy to help.

MARKING

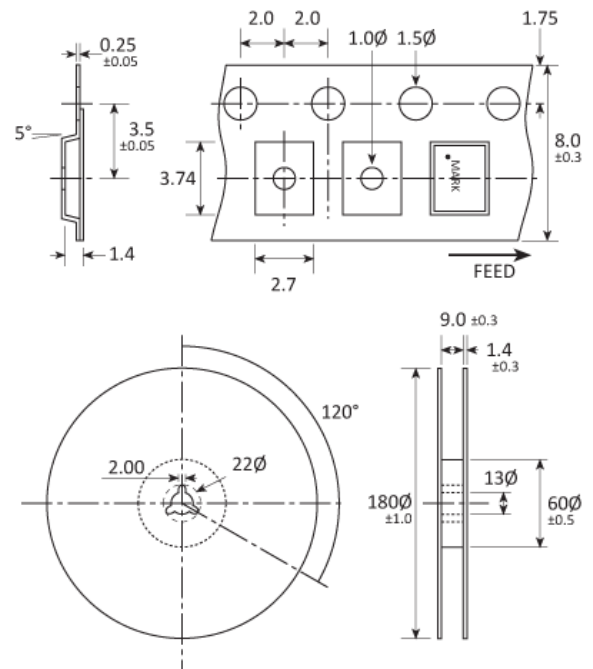


- Pin 1
- Marking type: Laser
- DC = Date code

SOLDERING PROFILE



TAPE & REEL SPECIFICATION



Dimensions in mm

HANDLING & STORAGE



Human Body Model (HBM) 1A (250V to <500V)



Moisture Sensitivity Level (MSL): 1 (or not applicable)

CONSTRUCTION

Ceramic body with gold-plated pads

Metal lid, seam sealed

COMPLIANCE

Please refer to our **DOCUMENTS** section for more information.



Lead-free (< 0.1% by weight)



RoHS compliant with no exemptions.



REACH compliant.



Free of conflict minerals.



Free from halogens.



Free from ozone-depleting substances.