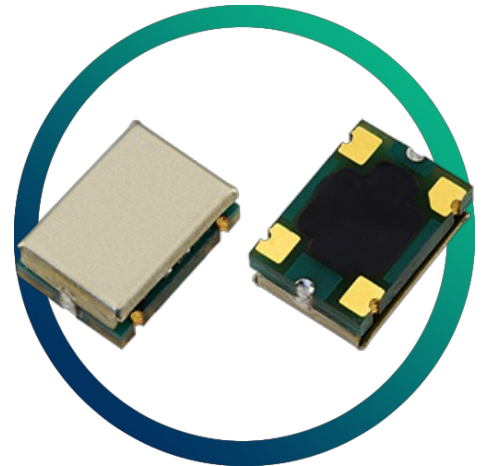


GTXO-74V

3.0V VCTCXO with Sine Output and Low Phase Noise



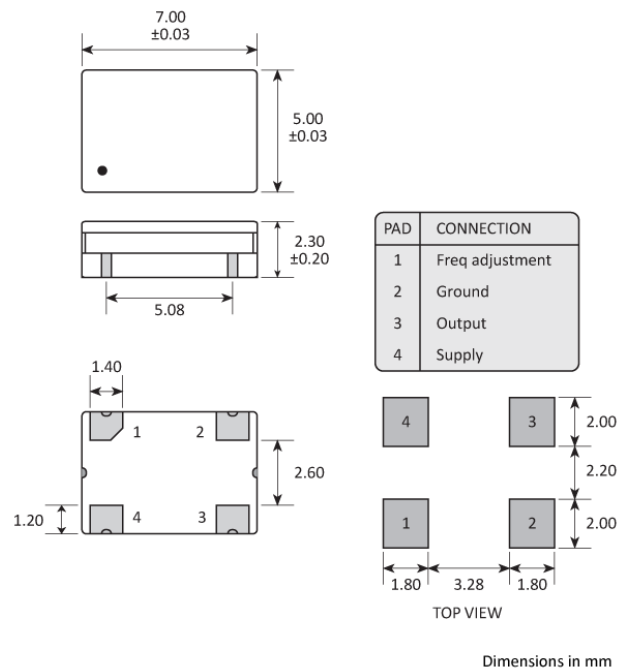
- Low phase noise
- Clipped sine output, 0.7V p-p
- Miniature SM package
- Sealed crystal design

CONFIGURABLE OPTIONS

Parameter	Option Code
Frequency	
Frequency stability	
Any	
±2.5ppm max	J
±2.0ppm max	H
±1.5ppm max	G
Temperature range	
Any	
-20 to +70 °C	N
-30 to +75 °C	S
-40 to +85 °C	I

SPECIFICATIONS

Frequency range	30.0 ~ 77.76MHz
Dimensions	7.0 x 5.0 x 2.5mm
Storage temperature range	-40 to +85 °C
Supply voltage stability	±1.0ppm, V_{DD} ±5%
Load stability	±0.2ppm, Z_L ±10%
Ageing	±1.0ppm max first year
Supply voltage (V_{DD})	+3.0V ±5%
Supply current	5.0mA max
Output waveform	Clipped sine, 0.7V p-p, +DC offset
Test load (Z_L)	10kΩ // 10pF
Start up time	3ms max
Frequency adjustment	±8 ~ ±14ppm, +1.5V ±1.0V
Phase noise (typ @ 61.44MHz)	-86dBc/Hz @ 10Hz -118dBc/Hz @ 100Hz -144dBc/Hz @ 1kHz -157dBc/Hz @ 10kHz
Preset frequency @ 25 °C	±2.0ppm max

PACKAGE DRAWING


***Some combinations of stability and wide temperature ranges may not be available at higher frequencies. Our team will advise accordingly if this affects your enquiry.**

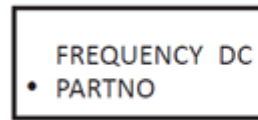
ORDERING INFORMATION

To request a quotation for the GTXO-74V please use the configurable options form to choose the options you require and then submit your configured product to our team. Our expert advisers are always happy to help with your requirements and can be contacted on +44 1460 256 100 or at sales@golledge.com.

Following product selection you will be issued with a seven character Golledge part number. Your Golledge part number is the internationally accepted Golledge manufacturing part number (MPN) that should be used for all project documentation, including bills of materials (BoMs) and purchase orders.

If you have any queries regarding any of our documentation our dedicated sales team will be happy to help.

MARKING

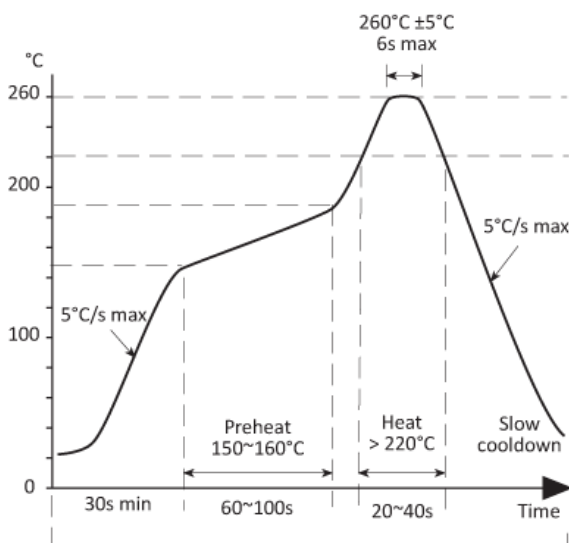


• Pin 1
Marking type: Laser

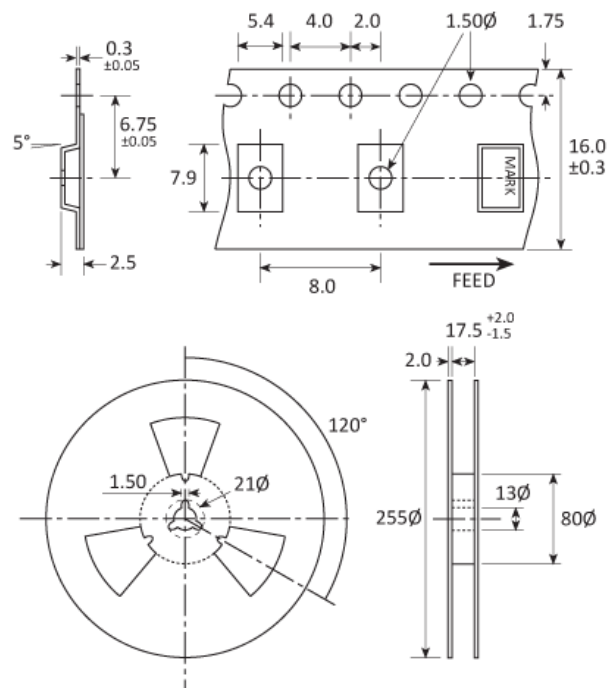
DC = Date Code in YM, eg. "GF" = Jun 2017

	A	B	C	D	E	F	G	H	J	K	L	M
Y	1	2	3	4	5	6	7	8	9	0		
M	Jan	Feb	Mar	Apr	May	Jun	Jul	Aug	Sep	Oct	Nov	Dec

SOLDERING PROFILE



TAPE & REEL SPECIFICATION



Dimensions in mm

HANDLING & STORAGE



Human Body Model (HBM) 1A (250V to <500V)



Moisture Sensitivity Level (MSL): 1 (or not applicable)

CONSTRUCTION

PCB carrier

Metal screening lid

COMPLIANCE



Lead-free (< 0.1% by weight)



RoHS compliant with no exemptions. [See our](#)

[declaration](#)



REACH compliant. [See our statement](#)



Free of conflict minerals. [See our declaration](#)



Free of Halogens. [See our declaration](#)



Free of Ozone-depleting substances. [See our](#)

[declaration](#)