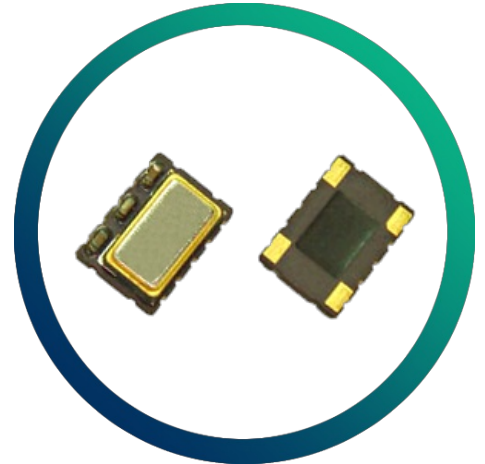


GTXO-73T

Stratum 3 SM TCXO with clipped sine output



- Stratum 3 TCXO
- Overall ± 4.6 ppm including 20 years aging
- Miniature 7050 package
- 3.3 & 5V with Clipped Sine Output

CONFIGURABLE OPTIONS

Parameter	Option Code
Frequency	
Temperature stability	
Any	
± 0.14 ppm (-20 to +70°C only)	C
± 0.28 ppm	D
Supply voltage (V_{DD})	
Any	
+3.3V ($\pm 5\%$)	L
+5.0V ($\pm 5\%$)	P
Temperature range	
Any	
-20 to +70°C	
-40 to +85°C	I

SPECIFICATIONS

Frequency range	5.0 ~ 52.0MHz
Dimensions	7.0 x 5.0 x 2.1mm
Frequency stability over 20 years	±4.6ppm
*1 see note below	
Holdover stability	±0.32ppm max over 24hrs
*2 see note below	
Storage temperature range	-55 to +125 °C
Supply current	3.5mA typ
Output waveform	Clipped sine, 0.8V p-p
Load (Z _L)	10kΩ // 10pF
Start up time	2.0ms max
Phase noise (typ @ 10.0MHz)	-130dBc/Hz @ 100Hz -145dBc/Hz @ 1kHz -154dBc/Hz @ 10kHz

***1 Stability is inclusive of frequency stability over temperature, voltage, load, 20 years ageing, shock & vibration**

***2 Holdover stability is inclusive of frequency stability over temperature, voltage (±5%) and ageing (24hrs)**

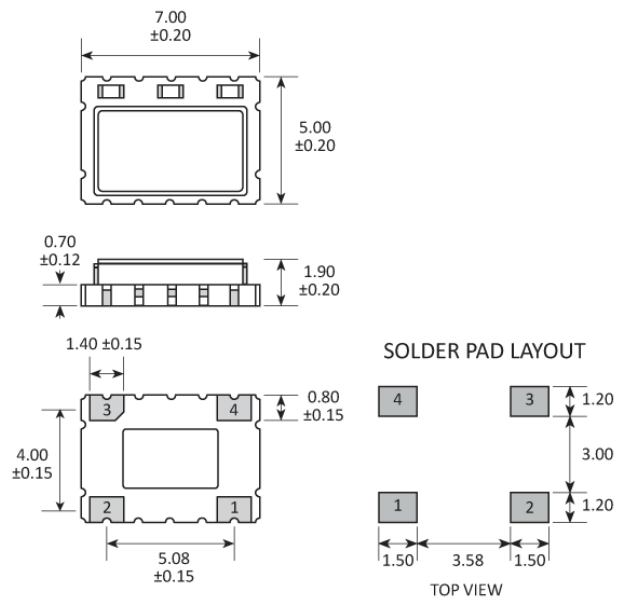
ORDERING INFORMATION

To request a quotation for the GTXO-73T please use the configurable options form to choose the options you require and then submit your configured product to our team. Our expert advisers are always happy to help with your requirements and can be contacted on +44 1460 256 100 or at sales@golledge.com.

Following product selection you will be issued with a seven character Golledge part number. Your Golledge part number is the internationally accepted Golledge manufacturing part number (MPN) that should be used for all project documentation, including bills of materials (BoMs) and purchase orders.

If you have any queries regarding any of our documentation our dedicated sales team will be happy to help.

PACKAGE DRAWING



PAD	CONNECTION
1	Ground/NC
2	Ground
3	Output
4	Supply

Dimensions in mm

HANDLING & STORAGE



Human Body Model (HBM) 1A (250V to <500V)



Moisture Sensitivity Level (MSL): 1 (or not applicable)

CONSTRUCTION

Ceramic body with gold-plated pads Metal lid, seam sealed

COMPLIANCE



RoHS compliant with no exemptions. [See our declaration](#)



REACH compliant. [See our statement](#)



Free of conflict minerals. [See our declaration](#)



Free of Halogens. [See our declaration](#)



Free of Ozone-depleting substances. [See our declaration](#)