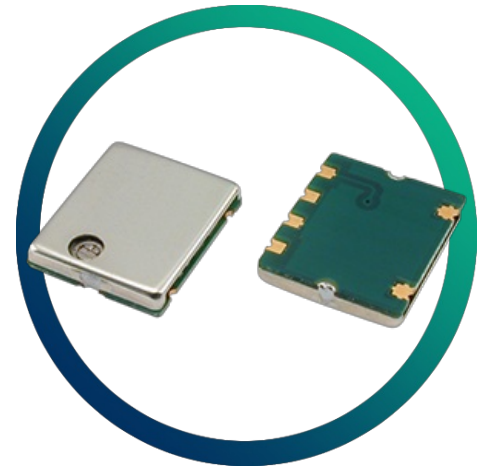


GTXO-566V

6-Pad SM VCTCXO with Clipped Sine Output and Voltage Adjustment



- Voltage Adjustment and Internal Trimmer
- Low power consumption
- Stabilities down to $\pm 1.0\text{ppm}$
- Industrial temperature range option
- 3.0V, 3.3V or 5.0V supply voltage

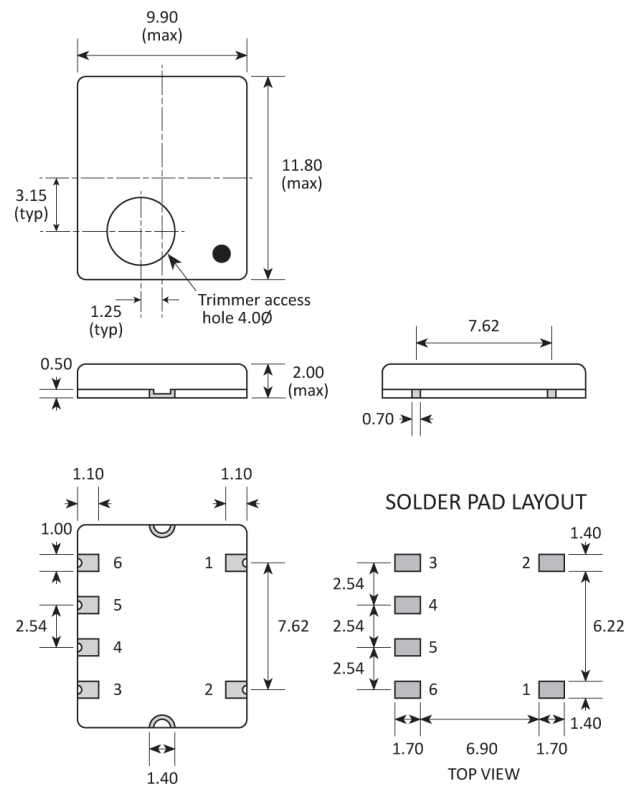
CONFIGURABLE OPTIONS

| Parameter | Option Code |
|---|-------------|
| Frequency | |
| Frequency stability | |
| Any | |
| $\pm 2.5\text{ppm}$ over -40 to $+85^\circ\text{C}$ | K |
| $\pm 2.5\text{ppm}$ over -30 to $+75^\circ\text{C}$ | |
| $\pm 2.0\text{ppm}$ over -30 to $+75^\circ\text{C}$ | H |
| $\pm 1.5\text{ppm}$ over -20 to $+70^\circ\text{C}$ | G |
| $\pm 1.0\text{ppm}$ over -20 to $+70^\circ\text{C}$ | F |
| Supply voltage (V_{DD}) | |
| Any | |
| +3.0V ($\pm 5\%$) | |
| +3.3V ($\pm 5\%$) | M |
| +5.0V ($\pm 5\%$) | P |

SPECIFICATIONS

| | |
|-----------------------------|---|
| Frequency range | 9.60 ~ 50.0MHz |
| Dimensions | 11.8 x 9.9 x 2.0mm |
| Package style | 6 pads, with trimmer |
| Storage temperature range | -40 to +85°C |
| Frequency vs supply voltage | ±0.3ppm (<22.0MHz) ±0.5ppm (<28.0MHz) ±1.0ppm (<50.0MHz) |
| Frequency vs load change | ±0.3ppm (10kΩ±10%/10pF±10%) |
| Ageing (1st yr) | ±1.0ppm (<22.0MHz) ±1.5ppm (<28.0MHz) ±2.0ppm (<50.0MHz) |
| Supply current | 2.0mA max (<22.0MHz) 3.0mA max (<28.0MHz) 4.0mA max (<50.0MHz) |
| Output waveform | Clipped sine, 0.8V p-p typ |
| Test load | 10kΩ // 10pF |
| Frequency adjustment | ±3ppm min by internal trimmer ±5.0 ~ ±10.0ppm |
| Control voltage range | +1.5V ±1.0V (3.0V supply) +1.65V ±1.35V (3.3V supply) +2.5V ±2.0V (5.0V supply) |
| Preset frequency | ±0.5ppm / +25°C ±2°C |
| Net mass | 453mg |

PACKAGE DRAWING



| PAD | CONNECTION |
|-----|-----------------|
| 1 | Ground |
| 2 | Ground |
| 3 | Output |
| 4 | Ground |
| 5 | Freq adjustment |
| 6 | Supply |

Dimensions in mm

ORDERING INFORMATION

To request a quotation for the GTXO-566V please use the configurable options form to choose the options you require and then submit your configured product to our team. Our expert advisers are always happy to help with your requirements and can be contacted on +44 1460 256 100 or at sales@golledge.com.

Following product selection you will be issued with a seven character Golledge part number. Your Golledge part number is the internationally accepted Golledge manufacturing part number (MPN) that should be used for all project documentation, including bills of materials (BoMs) and purchase orders.

If you have any queries regarding any of our documentation our dedicated sales team will be happy to help.

CONSTRUCTION

PCB base with metal lid

HANDLING & STORAGE



Human Body Model (HBM) 1A (250V to <500V)



Moisture Sensitivity Level (MSL): 1 (or not applicable)

COMPLIANCE

Please refer to our **DOCUMENTS** section for more information.



RoHS compliant with no exemptions.



REACH compliant.



Free of conflict minerals.



Free from halogens.



Free from ozone-depleting substances.