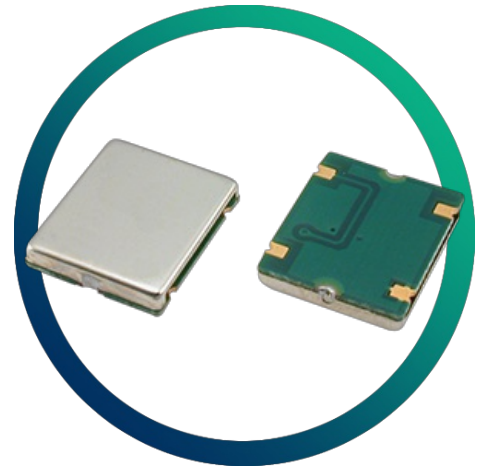


GTXO-560N

3V & 5V SM VCTCXO with Clipped Sine Output and Voltage Adjustment



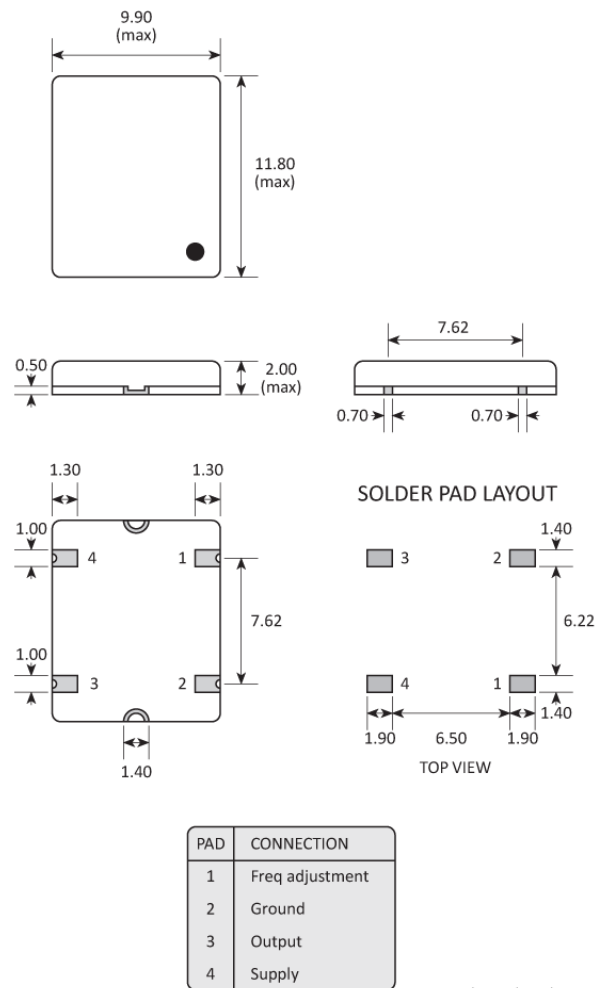
- Voltage adjustment
- Low power consumption
- Stabilities down to $\pm 1.0\text{ppm}$
- Industrial temperature range option
- 3.0V, 3.3V or 5.0V supply voltage

CONFIGURABLE OPTIONS

Parameter	Option Code
Frequency	
Frequency stability	
Any	
$\pm 2.5\text{ppm}$ over -40 to $+85^\circ\text{C}$	K
$\pm 2.5\text{ppm}$ over -30 to $+75^\circ\text{C}$	
$\pm 2.0\text{ppm}$ over -30 to $+75^\circ\text{C}$	H
$\pm 1.5\text{ppm}$ over -20 to $+70^\circ\text{C}$	G
$\pm 1.0\text{ppm}$ over -20 to $+70^\circ\text{C}$	F
Supply voltage (V_{DD})	
Any	
+3.0V ($\pm 5\%$)	
+3.3V ($\pm 5\%$)	M
+5.0V ($\pm 5\%$)	P

SPECIFICATIONS

Frequency range	9.60 ~ 50.0MHz
Dimensions	11.8 x 9.9 x 2.0mm
Package style	4 pads, no trimmer
Storage temperature range	-40 to +85°C
Frequency vs supply voltage	±0.3ppm (<22.0MHz) ±0.5ppm (<28.0MHz) ±1.0ppm (<50.0MHz)
Frequency vs load change	±0.3ppm (10kΩ±10%/10pF±10%)
Ageing (1st yr)	±1.0ppm (<22.0MHz) ±1.5ppm (<28.0MHz) ±2.0ppm (<50.0MHz)
Supply current	2.0mA max (<22.0MHz) 3.0mA max (<28.0MHz) 4.0mA max (<50.0MHz)
Output waveform	Clipped sine, 0.8V p-p typ
Test load	10kΩ // 10pF
Frequency adjustment	±8.0 ~ ±14.0ppm
Control voltage range	+1.5V ±1.0V (3.0V supply) +1.65V ±1.35V (3.3V supply) +2.5V ±2.0V (5.0V supply)
Preset frequency	±2.0ppm / +25°C ±2°C
Net mass	453mg

PACKAGE DRAWING


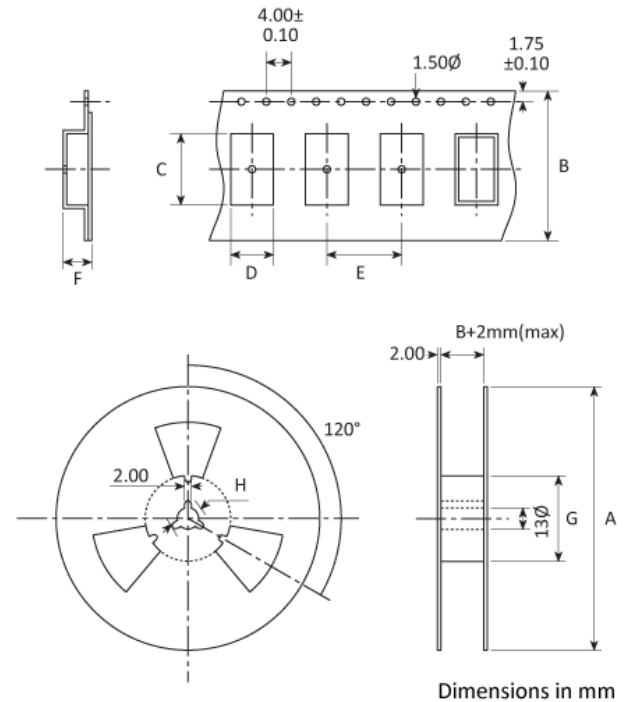
ORDERING INFORMATION

To request a quotation for the GTXO-560N please use the configurable options form to choose the options you require and then submit your configured product to our team. Our expert advisers are always happy to help with your requirements and can be contacted on +44 1460 256 100 or at sales@golledge.com.

Following product selection you will be issued with a seven character Golledge part number. Your Golledge part number is the internationally accepted Golledge manufacturing part number (MPN) that should be used for all project documentation, including bills of materials (BoMs) and purchase orders.

If you have any queries regarding any of our documentation our dedicated sales team will be happy to help.

TAPE & REEL SPECIFICATION



A:330 B:24 C:14 D:11 E:12 F:2.7 G:80 H:21

HANDLING & STORAGE



Human Body Model (HBM) 1A (250V to <500V)



Moisture Sensitivity Level (MSL): 1 (or not applicable)

CONSTRUCTION

PCB base with metal lid

COMPLIANCE

Please refer to our **DOCUMENTS** section for more information.



RoHS compliant with no exemptions.



REACH compliant.



Free of conflict minerals.



Free from halogens.



Free from ozone-depleting substances.