

# GTXO-253V

**1.8V ~ 3.6V Ultra-tight Stability**

**VCTCXO**

- Ideally suited for tight stability applications including GPS
- $\pm 0.5\text{ppm}$  frequency stability option
- Voltage controlled frequency adjustment
- Low power consumption
- Miniature SM package



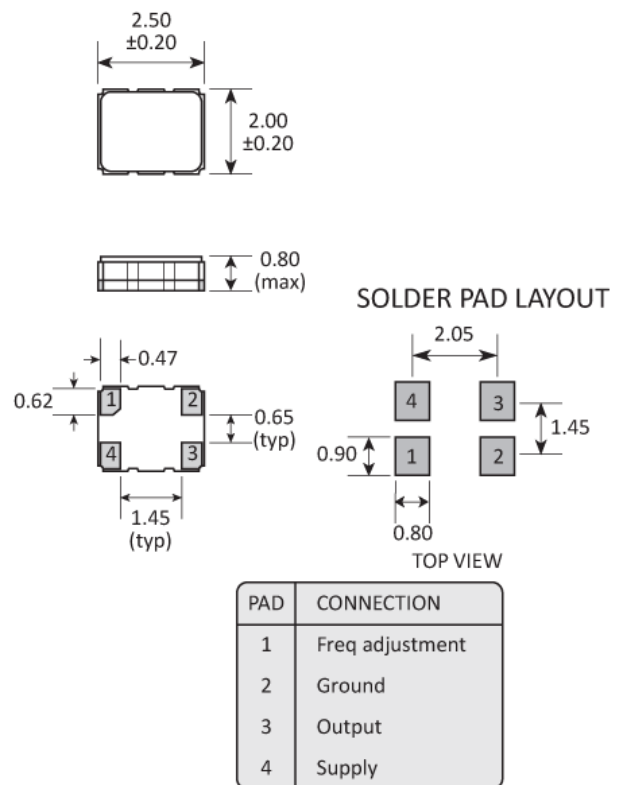
## CONFIGURABLE OPTIONS

Parameter	Option Code
Frequency	
Frequency stability	
Any	
$\pm 2.5\text{ppm}$	J
$\pm 2.0\text{ppm}$	H
$\pm 1.5\text{ppm}$	G
$\pm 1.0\text{ppm}$	F
$\pm 0.5\text{ppm}$	E
Temperature range	
Any	
-10 to +60 °C	C
-20 to +75 °C	N
-30 to +85 °C	S
-40 to +85 °C	I
Supply voltage ( $V_{DD}$ )	
+2.8V	

## SPECIFICATIONS

Frequency range	10.0 ~ 52.0MHz
Dimensions	2.5 x 2.0 x 0.8mm
Storage temperature range	-40 to +85°C
Supply voltage stability	±0.2ppm, $V_{DD} \pm 5\%$
Load stability	±0.2ppm, $Z_L \pm 10\%$
Frequency slope	±0.05ppm/°C over -30+85°C
Ageing	±1.0ppm max first year
Supply current	1.5~2.0mA max
Output waveform	Clipped sine, 0.8V p-p, +DC offset
Test load ( $Z_L$ )	10kΩ // 10pF
Start up time	3ms max
Frequency adjustment	±8 ~ ±14ppm, +1.4V ±1.0V
Harmonics	-5dBc max
Phase noise	-130dBc/Hz @ 1kHz
Frequency tolerance @ 25°C	±2.0ppm max, 60mins after reflow

## PACKAGE DRAWING



Dimensions in mm

## ORDERING INFORMATION

To request a quotation for the GTXO-253V please use the configurable options form to choose the options you require and then submit your configured product to our team. Our expert advisers are always happy to help with your requirements and can be contacted on +44 1460 256 100 or at [sales@golledge.com](mailto:sales@golledge.com).

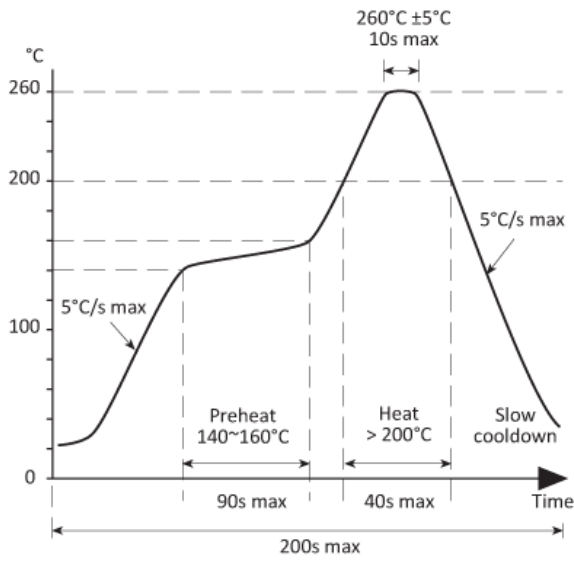
Following product selection you will be issued with a seven character Golledge part number. Your Golledge part number is the internationally accepted Golledge manufacturing part number (MPN) that should be used for all project documentation, including bills of materials (BoMs) and purchase orders.

If you have any queries regarding any of our documentation our dedicated sales team will be happy to help.

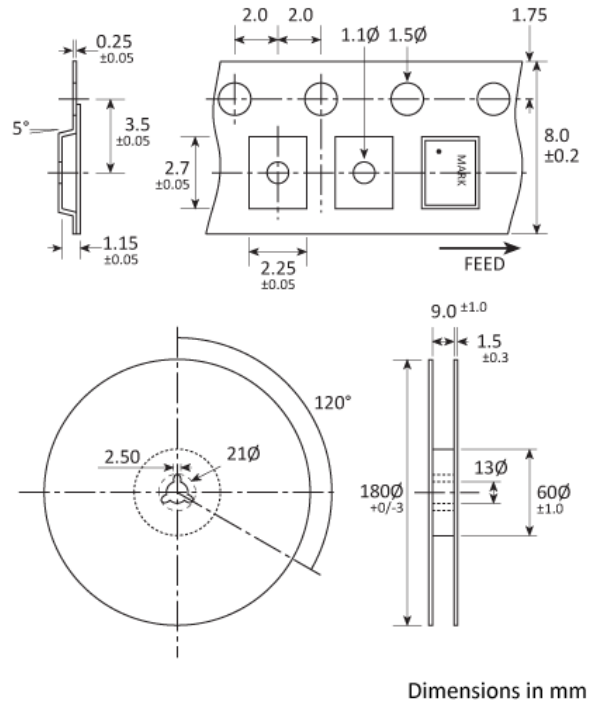
## MARKING



**SOLDERING PROFILE**



**TAPE & REEL SPECIFICATION**



**HANDLING & STORAGE**



Human Body Model (HBM) 1A (250V to <500V)



Moisture Sensitivity Level (MSL): 1 (or not applicable)

**CONSTRUCTION**

Ceramic body with gold-plated pads Metal lid, seam sealed

## COMPLIANCE

---

Please refer to our **DOCUMENTS** section for more information.



Lead-free (< 0.1% by weight )



RoHS compliant with no exemptions.



REACH compliant.



Free of conflict minerals.



Free from halogens.



Free from ozone-depleting substances.