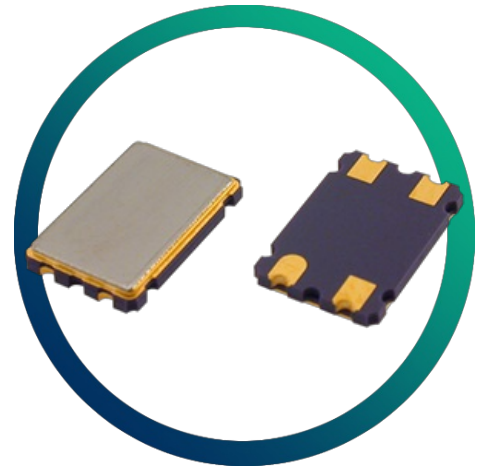


GSX-758

High Frequency Fundamental 7.5 x 5.0mm SM Crystal



- Fundamental mode up to 315MHz
- Plasma etched inverted mesa process
- Wide pulling range (fundamental mode)
- Small & medium volumes also available
- Custom frequencies available on short leadtimes

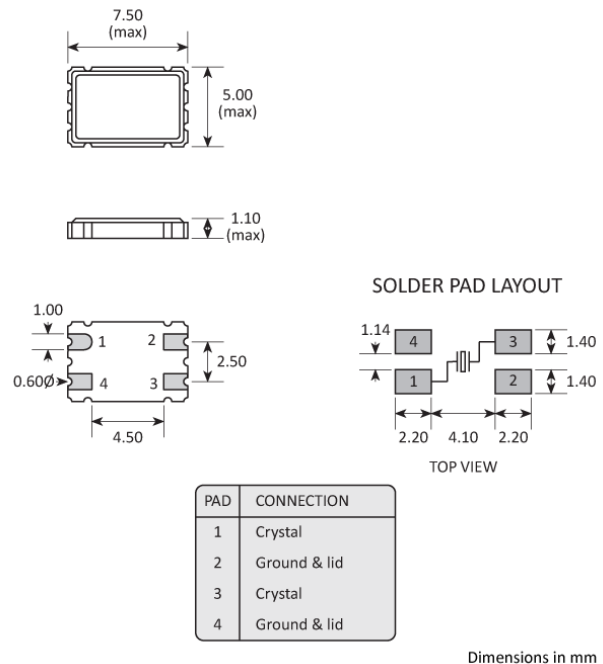
CONFIGURABLE OPTIONS

Parameter	Option Code
Frequency	
Calibration tolerance	
Any	
±20ppm	2
±50ppm	5
Temperature stability	
Any	
±20ppm	2
±50ppm	5
Operating temperature range	
Any	
-20 to +70°C	2
-40 to +85°C	4
Circuit condition	
Any	
16pF	D
18pF	E
20pF	F
30pF	J
Oscillation mode	
Fundamental	F

SPECIFICATIONS

Frequency range	50.0 ~ 315MHz
Dimensions	7.5 x 5.0 x 1.1mm
Static capacitance (C_0)	7pF max
Equivalent series resistance	30Ω max
Ageing	±5ppm max first year
Test drive level	100μW

PACKAGE DRAWING



Dimensions in mm

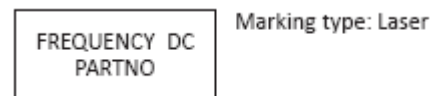
ORDERING INFORMATION

To request a quotation for the GSX-758 please use the configurable options form to choose the options you require and then submit your configured product to our team. Our expert advisers are always happy to help with your requirements and can be contacted on +44 1460 256 100 or at sales@golledge.com.

Following product selection you will be issued with a seven character Golledge part number. Your Golledge part number is the internationally accepted Golledge manufacturing part number (MPN) that should be used for all project documentation, including bills of materials (BoMs) and purchase orders.

If you have any queries regarding any of our documentation our dedicated sales team will be happy to help.

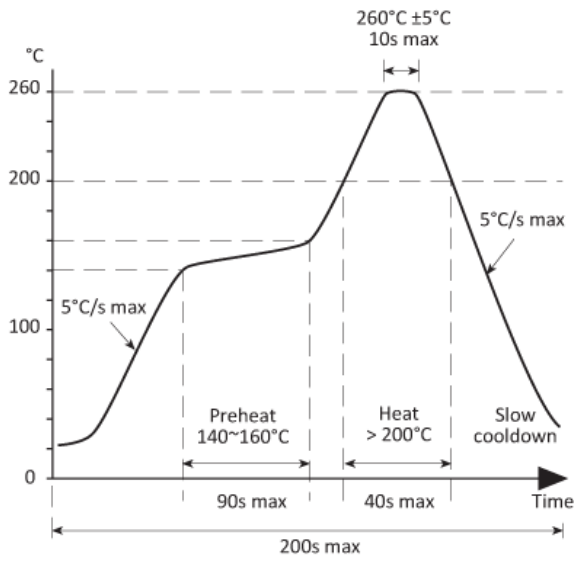
MARKING



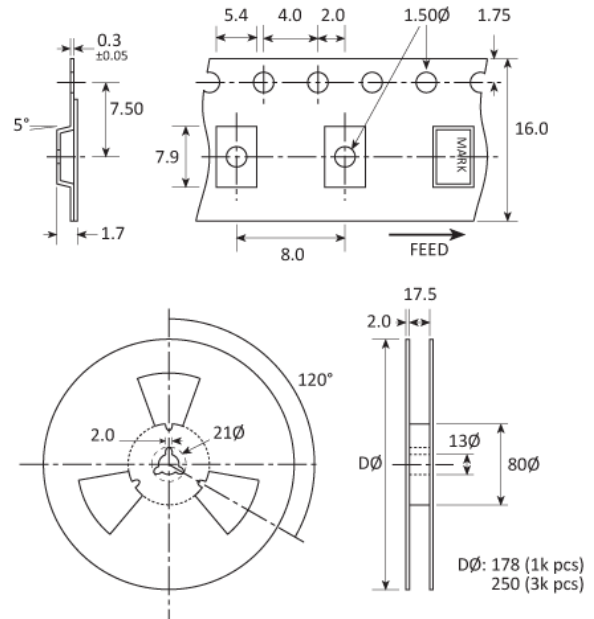
DC = Date Code in YM, eg. "GF" = Jun 2017

	A	B	C	D	E	F	G	H	J	K	L	M
Y	1	2	3	4	5	6	7	8	9	0		
M	Jan	Feb	Mar	Apr	May	Jun	Jul	Aug	Sep	Oct	Nov	Dec

SOLDERING PROFILE



TAPE & REEL SPECIFICATION



Dimensions in mm

HANDLING & STORAGE



Human Body Model (HBM) 1A (250V to <500V)



Moisture Sensitivity Level (MSL): 1 (or not applicable)

CONSTRUCTION

Ceramic body with gold-plated pads Metal lid, seam sealed

COMPLIANCE



Lead-free (< 0.1% by weight)



RoHS compliant with no exemptions. [See our](#)

[declaration](#)



REACH compliant. [See our statement](#)



Free of conflict minerals. [See our declaration](#)



Free of Halogens. [See our declaration](#)



Free of Ozone-depleting substances. [See our](#)

[declaration](#)