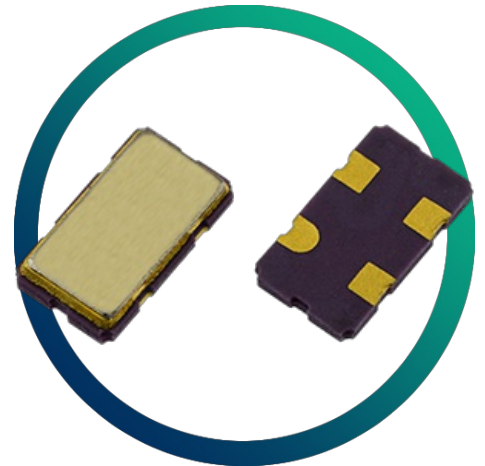


# GSX-6C

## Four Pad SM Crystal with 2.54mm Pitch Pads



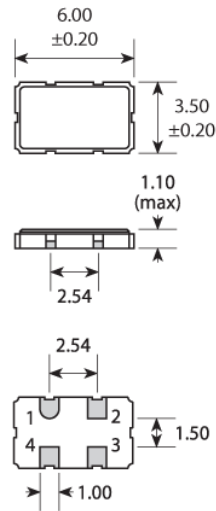
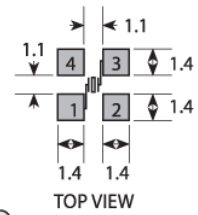
- Tight specifications available
- Fundamental mode up to 40.0MHz
- Metal lid can be grounded to minimise EMI

### CONFIGURABLE OPTIONS

Parameter	Option Code
Frequency	
Calibration tolerance	
±50ppm	
Temperature stability	
±50ppm	
Operating temperature range	
-10 to +60°C	
Circuit condition	
16pF	
Other values	
Ageing	
±5ppm max first year	
±2ppm max first year	

**SPECIFICATIONS**

Frequency range	8.0 ~ 40.0MHz (fund) >40.0 ~ 67.0MHz (3rd OT)
Dimensions	6.0 x 3.5 x 1.1mm
Storage temperature range	-30 to +85 °C
Static capacitance (C <sub>0</sub> )	7pF max
Equivalent series resistance	150Ω max (8.0 ~ <9.0MHz)
	80Ω max (9.0 ~ <12.0MHz)
	60Ω max (12.0 ~ <16.0MHz)
	40Ω max (16.0 ~ 40.0MHz, fund)
70Ω max (>40.0 ~ 67.0MHz, 3rd OT)	
Test drive level	100μW

**PACKAGE DRAWING**

**SOLDER PAD LAYOUT**


PAD	CONNECTION
1	Crystal
2	Ground & lid
3	Crystal
4	Ground & lid

Dimensions in mm

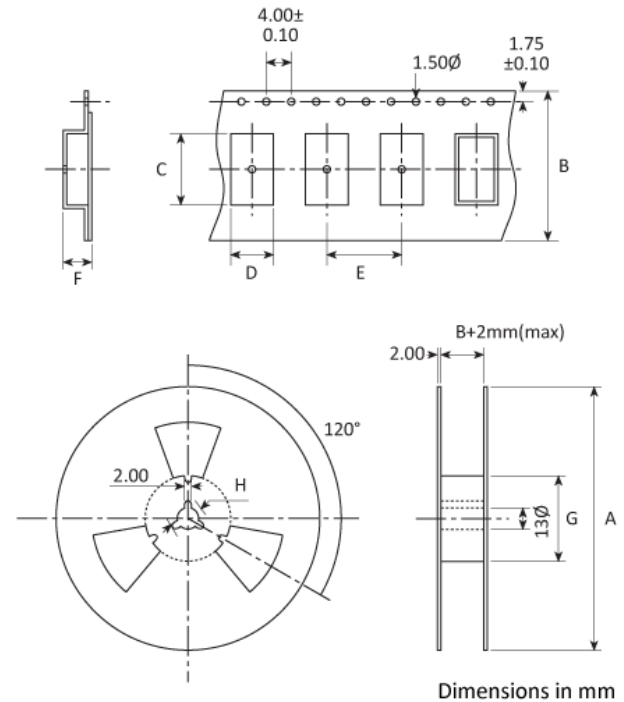
## ORDERING INFORMATION

To request a quotation for the GSX-6C please use the configurable options form to choose the options you require and then submit your configured product to our team. Our expert advisers are always happy to help with your requirements and can be contacted on +44 1460 256 100 or at [sales@golledge.com](mailto:sales@golledge.com).

Following product selection you will be issued with a seven character Golledge part number. Your Golledge part number is the internationally accepted Golledge manufacturing part number (MPN) that should be used for all project documentation, including bills of materials (BoMs) and purchase orders.

If you have any queries regarding any of our documentation our dedicated sales team will be happy to help.

## TAPE & REEL SPECIFICATION



A: 178\* B: 12 C: 6.4 D: 3.9 E: 8 F: 1.9 G: 80 H: 23

\*Larger reel size available. Please ask for details

## HANDLING & STORAGE



Human Body Model (HBM) 1A (250V to <500V)



Moisture Sensitivity Level (MSL): 1 (or not applicable)

## CONSTRUCTION

Ceramic base with metal lid

## COMPLIANCE

---



Lead-free (< 0.1% by weight)



RoHS compliant with no exemptions. [See our](#)

[declaration](#)



REACH compliant. [See our statement](#)



Free of conflict minerals. [See our declaration](#)



Free of Halogens. [See our declaration](#)



Free of Ozone-depleting substances. [See our](#)

[declaration](#)