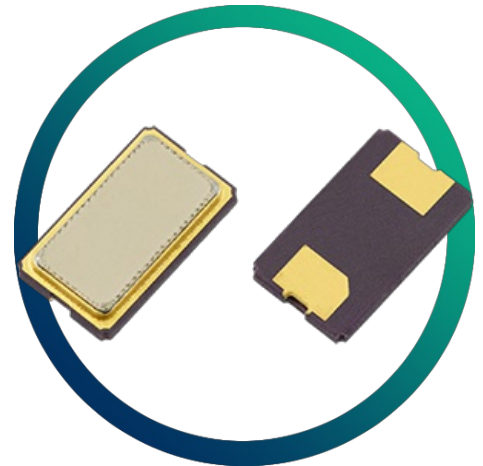


GSX-644

SM Crystal

- Established model to support existing designs
- Ceramic body with metal lid
- Not recommended for new designs



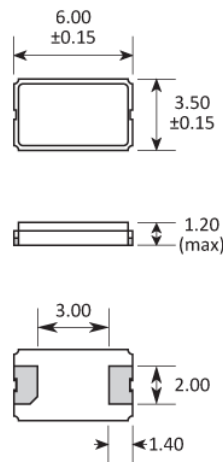
CONFIGURABLE OPTIONS

Parameter	Option Code
Frequency	
Calibration tolerance	
Any	
±10ppm	1
±20ppm	2
±30ppm	3
Temperature stability	
Any	
±30ppm	3
±50ppm	5
Operating temperature range	
Any	
-10 to +60 °C	1
-20 to +70 °C	2
-40 to +85 °C	4
Circuit condition	
8pF	M
12pF	B
16pF	D
18pF	E
20pF	F
Oscillation mode	
Fundamental (7.0 ~ 50.0MHz)	F
3rd overtone (40.0 ~ 125MHz)	3

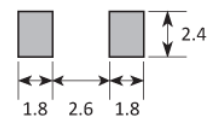
SPECIFICATIONS

Frequency range	7.0 ~ 125MHz
Dimensions	6.0 x 3.5 x 1.2mm
Storage temperature range	-40 to +85 °C
Equivalent series resistance	180Ω max (7.0 ~ 7.99MHz) 150Ω max (8.0 ~ 8.99MHz) 100Ω max (9.0 ~ 9.99MHz) 80Ω max (10.0 ~ 10.99MHz) 50Ω max (11.0 ~ 11.99MHz) 40Ω max (12.0 ~ 13.99MHz) 30Ω max (14.0 ~ 50.0MHz, fund) 70Ω max (40.0 ~ 125MHz, 3rd OT)
Test drive level	50μW typ, 300μW max
Ageing	±5ppm max first year

PACKAGE DRAWING



SOLDER PAD LAYOUT



Dimensions in mm

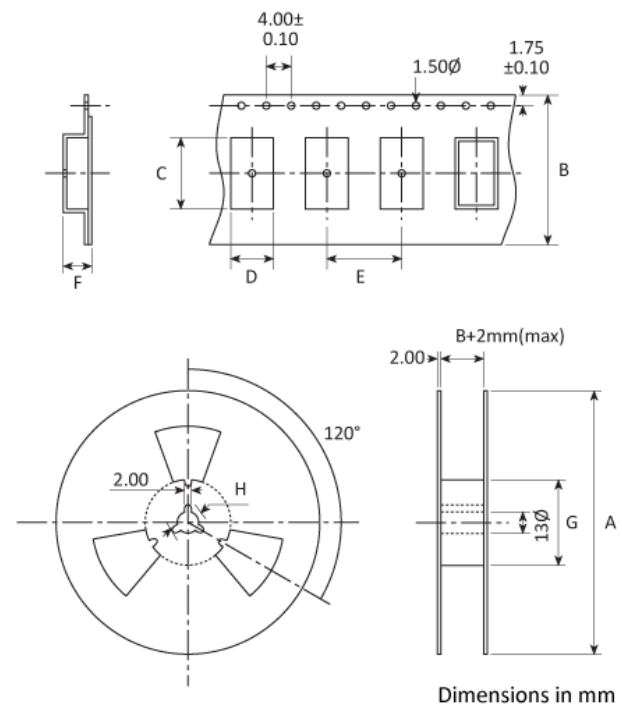
ORDERING INFORMATION

To request a quotation for the GSX-644 please use the configurable options form to choose the options you require and then submit your configured product to our team. Our expert advisers are always happy to help with your requirements and can be contacted on +44 1460 256 100 or at sales@golledge.com.

Following product selection you will be issued with a seven character Golledge part number. Your Golledge part number is the internationally accepted Golledge manufacturing part number (MPN) that should be used for all project documentation, including bills of materials (BoMs) and purchase orders.

If you have any queries regarding any of our documentation our dedicated sales team will be happy to help.

TAPE & REEL SPECIFICATION



Dimensions in mm

A:330 B:16 C:6.2 D:3.8 E:8 F:1.3 G:100 H:21

HANDLING & STORAGE



Human Body Model (HBM) 1A (250V to <500V)



Moisture Sensitivity Level (MSL): 1 (or not applicable)

CONSTRUCTION

Ceramic body with gold-plated pads
Metal lid, seam sealed

COMPLIANCE



Lead-free (< 0.1% by weight)



RoHS compliant with no exemptions. [See our](#)

[declaration](#)



REACH compliant. [See our statement](#)



Free of conflict minerals. [See our declaration](#)



Free of Halogens. [See our declaration](#)



Free of Ozone-depleting substances. [See our](#)

[declaration](#)