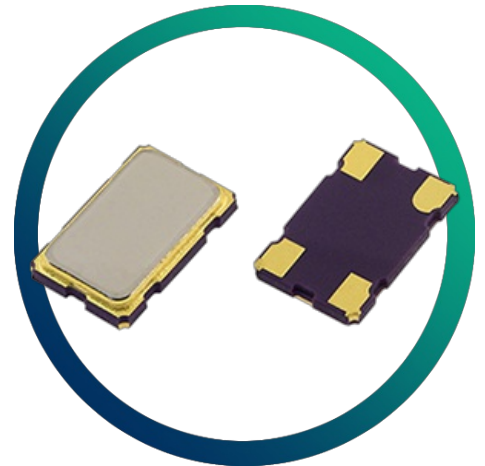


# GSX-538

## High Frequency Fundamental 5.0 x 3.2mm SM Crystal



- Fundamental mode up to 315MHz
- Plasma etched inverted mesa process
- Wide pulling range (fundamental mode)
- Small & medium volumes also available
- Custom frequencies available on short leadtimes

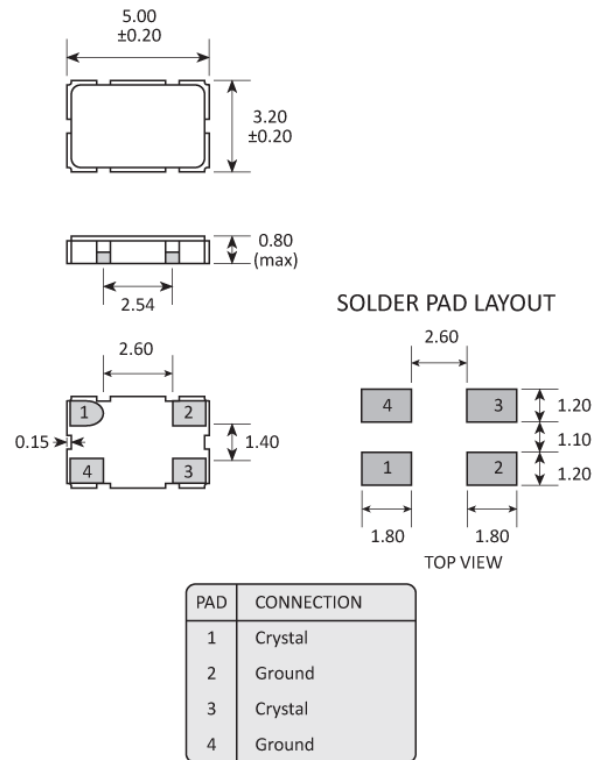
### CONFIGURABLE OPTIONS

Parameter	Option Code
<b>Frequency</b>	
<b>Calibration tolerance</b>	
Any	
±10ppm	1
±20ppm	2
±30ppm	3
<b>Temperature stability</b>	
Any	
±10ppm	1
±20ppm	2
±30ppm	3
<b>Operating temperature range</b>	
Any	
-20 to +70 °C	2
-40 to +85 °C	4
Other values	specify
<b>Circuit condition</b>	
Any	
8pF	M
9pF	N
12pF	B
16pF	D
<b>Oscillation mode</b>	
Any	
Fundamental (8.0 ~ 315MHz)	F
3rd overtone (60.0 ~ 150MHz)	3

## SPECIFICATIONS

Frequency range	8.0 ~ 315MHz
Dimensions	5.0 x 3.2 x 0.8mm
Storage temperature range	-40 to +90°C
Static capacitance (C <sub>0</sub> )	7pF max
Equivalent series resistance	150Ω max (8.0 ~ 9.9MHz)
	80Ω max (10.0 ~ 11.9MHz)
	60Ω max (12.0 ~ 15.9MHz)
	40Ω max (16.0 ~ 315MHz, fund)
	80Ω max (60.0 ~ 150MHz, 3rd OT)
Ageing	±3ppm max first year
Test drive level	10μW typ, 100μW max
Soldering condition	260°C, 10sec x2 max

## PACKAGE DRAWING



Dimensions in mm

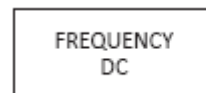
## ORDERING INFORMATION

To request a quotation for the GSX-538 please use the configurable options form to choose the options you require and then submit your configured product to our team. Our expert advisers are always happy to help with your requirements and can be contacted on +44 1460 256 100 or at [sales@golledge.com](mailto:sales@golledge.com).

Following product selection you will be issued with a seven character Golledge part number. Your Golledge part number is the internationally accepted Golledge manufacturing part number (MPN) that should be used for all project documentation, including bills of materials (BoMs) and purchase orders.

If you have any queries regarding any of our documentation our dedicated sales team will be happy to help.

## MARKING

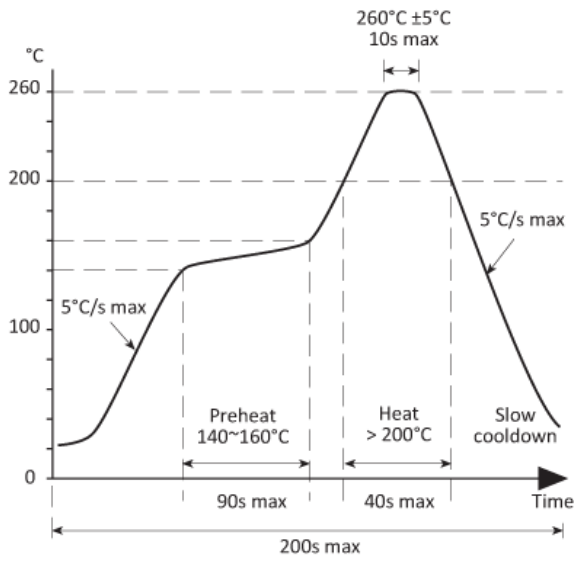


Marking type: Laser

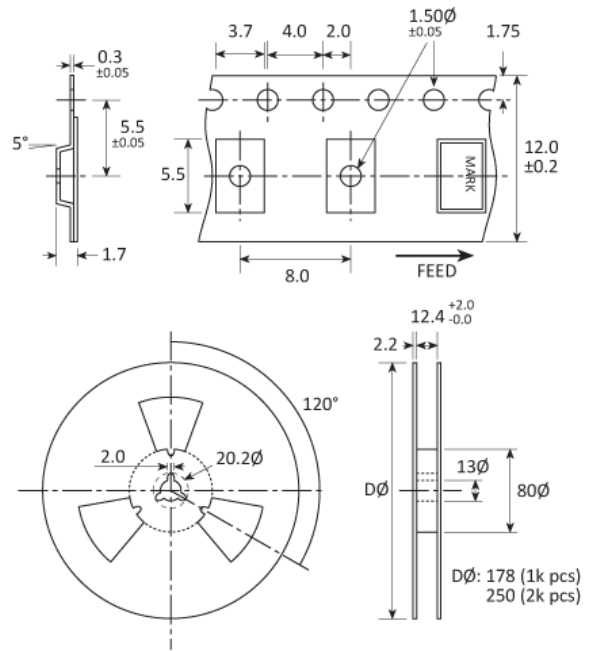
DC = Date Code in YM, eg. "GF" = Jun 2017

	A	B	C	D	E	F	G	H	J	K	L	M
Y	1	2	3	4	5	6	7	8	9	0		
M	Jan	Feb	Mar	Apr	May	Jun	Jul	Aug	Sep	Oct	Nov	Dec

**SOLDERING PROFILE**



**TAPE & REEL SPECIFICATION**



Dimensions in mm

**HANDLING & STORAGE**



Human Body Model (HBM) 1A (250V to <500V)



Moisture Sensitivity Level (MSL): 1 (or not applicable)

**CONSTRUCTION**

Ceramic body with gold-plated pads Metal lid, seam sealed

## COMPLIANCE

---



Lead-free (< 0.1% by weight)



RoHS compliant with no exemptions. [See our](#)

[declaration](#)



REACH compliant. [See our statement](#)



Free of conflict minerals. [See our declaration](#)



Free of Halogens. [See our declaration](#)



Free of Ozone-depleting substances. [See our](#)

[declaration](#)