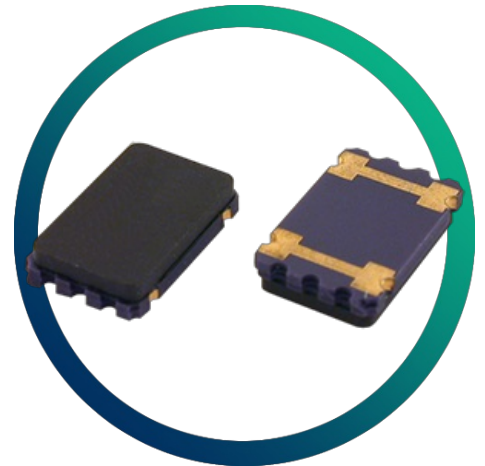


# GSX-1C

## Two Pad SM Crystal with Ceramic Package



- Fundamental mode up to 50.0MHz
- Large stocks of standard frequencies
- Alternative terminal configurations

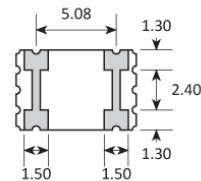
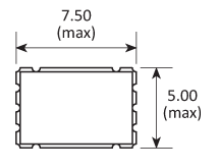
### CONFIGURABLE OPTIONS

Parameter	Option Code
<b>Frequency</b>	
<b>Calibration tolerance</b>	
Any	
±30ppm	3
±50ppm	5
<b>Temperature stability</b>	
Any	
±30ppm	3
±50ppm	5
±100ppm	C
<b>Operating temperature range</b>	
Any	
-10 to +60 °C	1
-20 to +70 °C	2
-40 to +85 °C	4
<b>Circuit condition</b>	
Any	
12pF	B
16pF	D
18pF	E
20pF	F
30pF	J
Series resonant	S
<b>Oscillation mode</b>	
Any	
Fundamental (6.0 ~ 50.0MHz)	F
3rd overtone (28.0 ~ 84.0MHz)	3

## SPECIFICATIONS

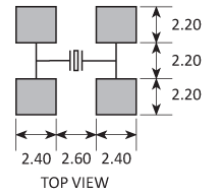
Frequency range	5.0 ~ 84.0MHz
Dimensions	7.5 x 5.0 x 1.4mm
Package	GSX-1C
Static capacitance (C <sub>0</sub> )	7pF max
Equivalent series resistance	80Ω max (5.0 ~ 7.99MHz) 60Ω max (8.0 ~ 9.99MHz, fund) 50Ω max (10.0 ~ 15.99MHz, fund) 40Ω max (16.0 ~ 50.0MHz, fund) 60Ω max (28.0 ~ 84.0MHz, 3rd OT)
Ageing	±5ppm max first year
Test drive level	100μW
Soldering condition	260°C, 10 sec x2 max

## PACKAGE DRAWING



### SOLDER PAD LAYOUTS

#### TOP VIEW



Dimensions in mm

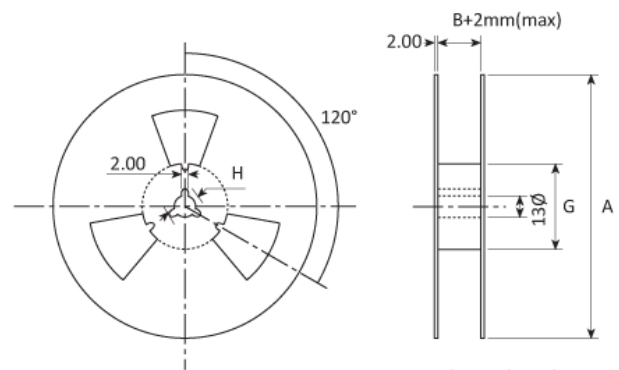
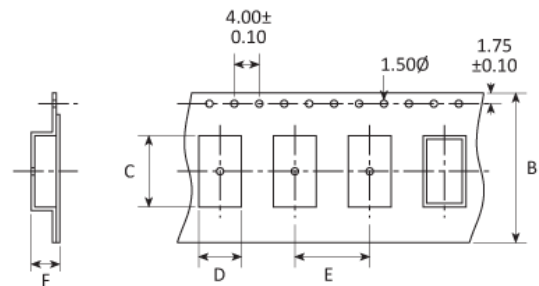
## ORDERING INFORMATION

To request a quotation for the GSX-1C please use the configurable options form to choose the options you require and then submit your configured product to our team. Our expert advisers are always happy to help with your requirements and can be contacted on +44 1460 256 100 or at [sales@golledge.com](mailto:sales@golledge.com).

Following product selection you will be issued with a seven character Golledge part number. Your Golledge part number is the internationally accepted Golledge manufacturing part number (MPN) that should be used for all project documentation, including bills of materials (BoMs) and purchase orders.

If you have any queries regarding any of our documentation our dedicated sales team will be happy to help.

## TAPE & REEL SPECIFICATION



Dimensions in mm

A:250 B:16 C:7.9 D:5.4 E:8 F:2.2 G:80 H:25

---

**HANDLING & STORAGE**

---



Human Body Model (HBM) 1A (250V to &lt;500V)



Moisture Sensitivity Level (MSL): 1 (or not applicable)

---

**CONSTRUCTION**

---

Ceramic base and lid

---

**COMPLIANCE**

---



Lead-free (&lt; 0.1% by weight)

RoHS compliant with no exemptions. [See our](#)[declaration](#)REACH compliant. [See our statement](#)Free of conflict minerals. [See our declaration](#)Free of Halogens. [See our declaration](#)Free of Ozone-depleting substances. [See our](#)[declaration](#)