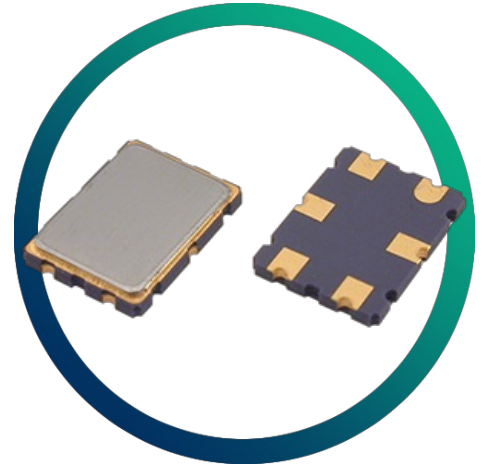


GSF-75 70R30B

**70MHz 4 pole crystal filter with
30.0kHz 3dB bandwidth**

- 4 pole filter in one package
- Frequencies from 21.40 ~ 75.0MHz available
- Custom specifications available
- Miniature SM package



CONFIGURABLE OPTIONS

Parameter	Option Code
-----------	-------------

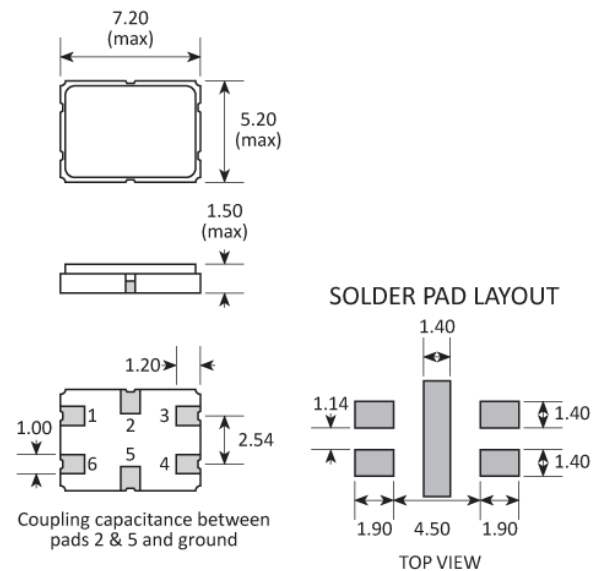
The GSF-75 70R30B has no configurable options.

Please see the specifications table for more details or contact our team today if you have other specification requirements.

SPECIFICATIONS

Centre frequency	70.0MHz
Dimensions	7.2 x 5.2 x 1.5mm
Operating temperature range	-20 to +70°C
Number of poles	4
Pass band	-3dB @ ±15.0kHz min
Attenuation band	-30dB @ ±50.0kHz max
In-band ripple	1.0dB max
Insertion loss	5.0dB max
Guaranteed attenuation	-80dB max -910 ±10kHz
Termination	1200Ω // 0.0pF (C _C =3.0pF)
Coupling capacitance (C _C)	3.0pF
Number of units	1

PACKAGE DRAWING



PAD	CONNECTION
1	Ground
2	Connect with pad 5 & C _c
3	In / Out
4	Ground
5	Connect with pad 2 & C _c
6	Out / In

Dimensions in mm

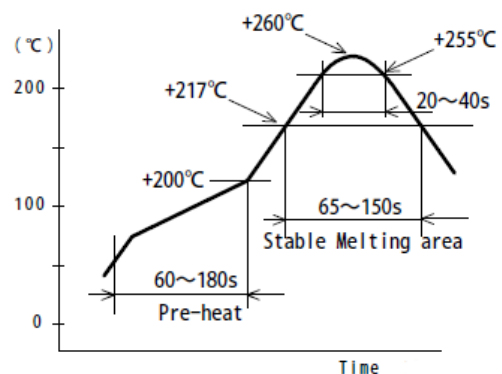
ORDERING INFORMATION

To request a quotation for the GSF-75 70R30B please use the configurable options form to choose the options you require and then submit your configured product to our team. Our expert advisers are always happy to help with your requirements and can be contacted on +44 1460 256 100 or at sales@golledge.com.

Following product selection you will be issued with a seven character Golledge part number. Your Golledge part number is the internationally accepted Golledge manufacturing part number (MPN) that should be used for all project documentation, including bills of materials (BoMs) and purchase orders.

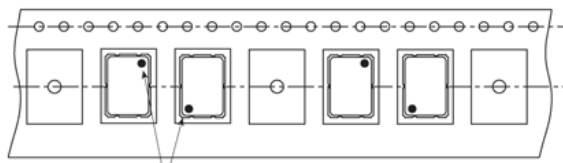
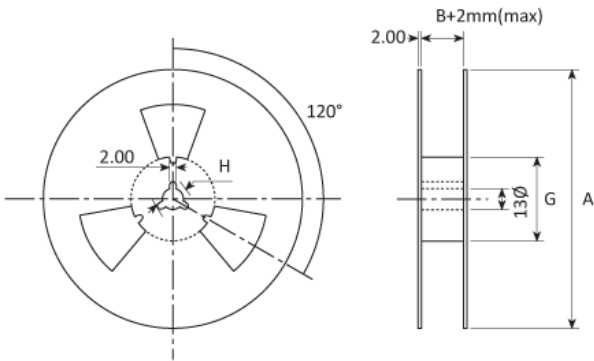
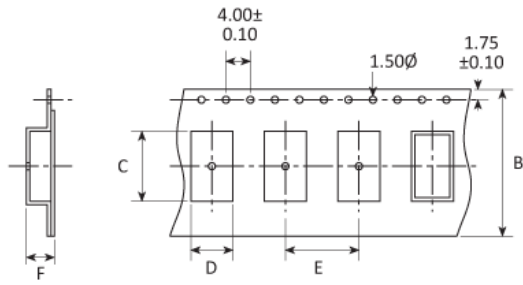
If you have any queries regarding any of our documentation our dedicated sales team will be happy to help.

SOLDERING PROFILE



TAPE & REEL SPECIFICATION

HANDLING & STORAGE



Connection marks

Dimensions in mm
Not to scale

A:250 B:17.5 C:7.9 D:5.4 E:8 F:1.7 G:80 H:21



Human Body Model (HBM) 1A (250V to <500V)



Moisture Sensitivity Level (MSL): 1 (or not applicable)

CONSTRUCTION

Ceramic base with metal lid

COMPLIANCE



Lead-free (< 0.1% by weight)



RoHS compliant with no exemptions. [See our declaration](#)



REACH compliant. [See our statement](#)



Free of conflict minerals. [See our declaration](#)



Free of Halogens. [See our declaration](#)



Free of Ozone-depleting substances. [See our declaration](#)