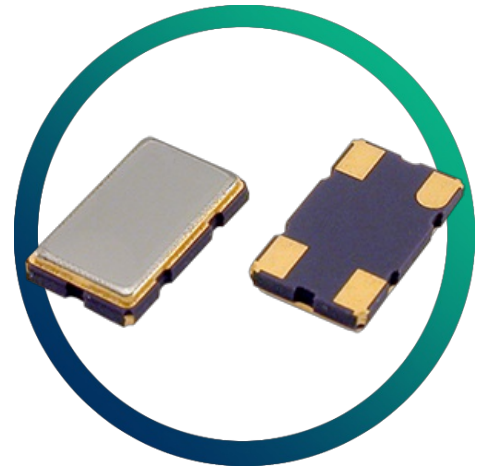


# GSF-61 45S7A

45MHz 2 pole crystal filter with  
7.5kHz 3dB bandwidth

- Custom Specifications available
- Miniature SM package



## CONFIGURABLE OPTIONS

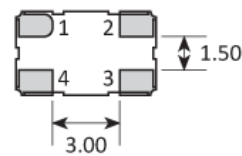
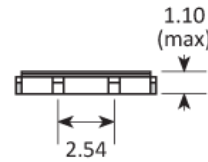
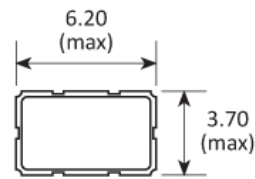
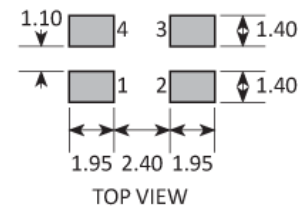
Parameter	Option Code
-----------	-------------

The GSF-61 45S7A has no configurable options.

Please see the specifications table for more details or contact our team today if you have other specification requirements.

**SPECIFICATIONS**

Centre frequency	45.0MHz
Dimensions	6.2 x 3.7 x 1.1mm
Operating temperature range	-20 to +70°C
Number of poles	2
Pass band	-3dB @ ±3.75kHz min
Attenuation band	-10dB @ ±12.5kHz max
In-band ripple	1.0dB max
Insertion loss	2.5dB max
Guaranteed attenuation	-65dB max -910 ±10kHz
Termination	300Ω // 10.0pF
Number of units	1

**PACKAGE DRAWING**

**SOLDER PAD LAYOUT**


PAD	CONNECTION
1	Ground
2	Out / In
3	Ground
4	In / Out

Dimensions in mm

## ORDERING INFORMATION

To request a quotation for the GSF-61 45S7A please use the configurable options form to choose the options you require and then submit your configured product to our team. Our expert advisers are always happy to help with your requirements and can be contacted on +44 1460 256 100 or at [sales@golledge.com](mailto:sales@golledge.com).

Following product selection you will be issued with a seven character Golledge part number. Your Golledge part number is the internationally accepted Golledge manufacturing part number (MPN) that should be used for all project documentation, including bills of materials (BoMs) and purchase orders.

If you have any queries regarding any of our documentation our dedicated sales team will be happy to help.

## HANDLING & STORAGE

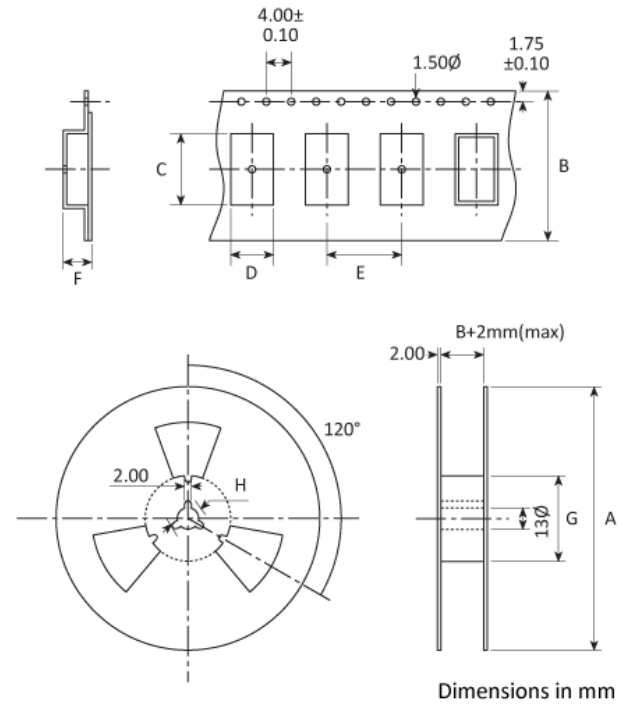


Human Body Model (HBM) 1A (250V to <500V)



Moisture Sensitivity Level (MSL): 1 (or not applicable)

## TAPE & REEL SPECIFICATION



A:250 B:12.0 C:6.4 D:3.9 E:8 F:1.3 G:80 H:21

## CONSTRUCTION

Ceramic base with metal lid

## COMPLIANCE

---



Lead-free (< 0.1% by weight)



RoHS compliant with no exemptions. [See our](#)

[declaration](#)



REACH compliant. [See our statement](#)



Free of conflict minerals. [See our declaration](#)



Free of Halogens. [See our declaration](#)



Free of Ozone-depleting substances. [See our](#)

[declaration](#)