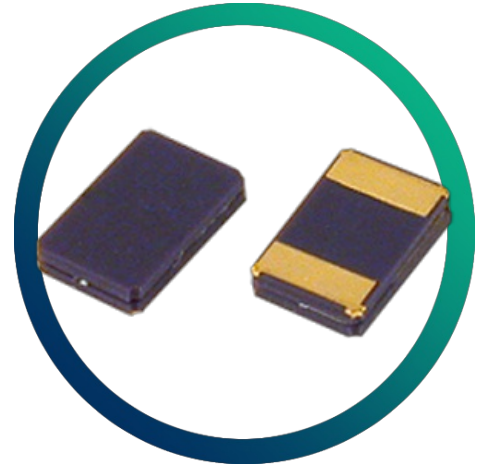


CC6F-T1A

High Frequency Fundamental Mode

Miniature SM Crystal -55+125°C



- Fundamental mode up to 250MHz
- Inverted mesa technology
- High shock & vibration resistance
- Military temperature range -55+125°C option
- Low power consumption

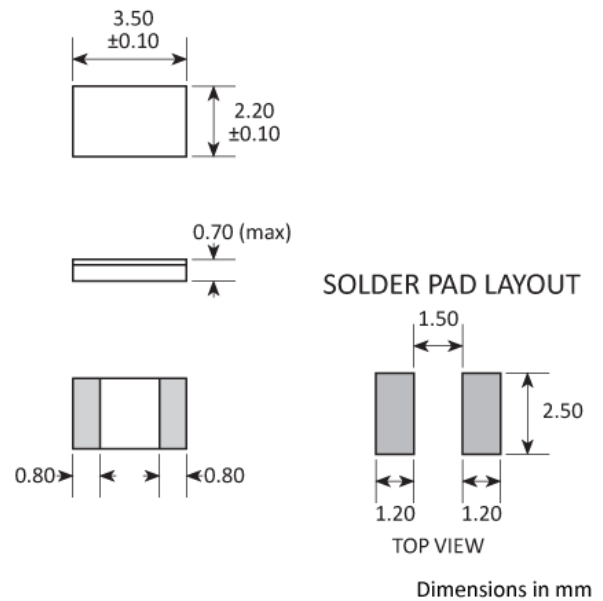
CONFIGURABLE OPTIONS

Parameter	Option Code
Frequency	
Calibration tolerance	
±50ppm	
Temperature stability / range	
Any	
±30ppm over -40 to +85°C	
±80ppm over -40 to +125°C	
±100ppm over -55 to +125°C	M
Circuit condition	
10pF	

SPECIFICATIONS

Frequency range	30.0 ~ 250MHz
Dimensions	3.5 x 2.2 x 0.7mm
Storage temperature range	-55 to +125°C
Static capacitance (C ₀)	2.4pF typ @ 50.0MHz 2.9pF typ @ 155.52MHz
Motional capacitance (C ₁)	2.7fF typ @ 50.0MHz 5.6fF typ @ 155.52MHz
Equivalent series resistance	50Ω typ, 100Ω max @ 50.0MHz 15Ω typ, 35Ω max @ 155.52MHz
Ageing	±3ppm max first year
Drive level	100μW max
Shock resistance	±5ppm, 5,000g, 0.3ms, ½ sine
Vibration resistance	±5ppm, 20g, 10.0 ~ 2,000Hz
Terminations	Gold plated pads
Soldering condition	Reflow, 260°C, 20 sec max

PACKAGE DRAWING



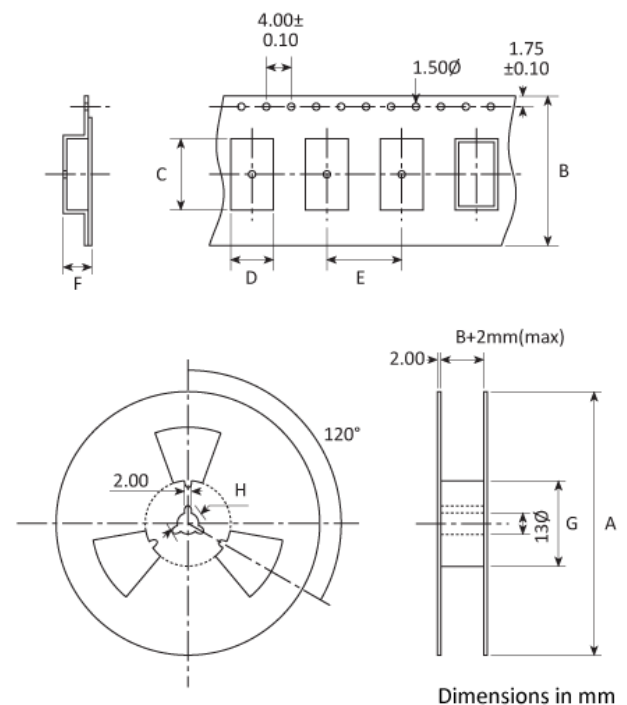
ORDERING INFORMATION

To request a quotation for the CC6F-T1A please use the configurable options form to choose the options you require and then submit your configured product to our team. Our expert advisers are always happy to help with your requirements and can be contacted on +44 1460 256 100 or at sales@golledge.com.

Following product selection you will be issued with a seven character Golledge part number. Your Golledge part number is the internationally accepted Golledge manufacturing part number (MPN) that should be used for all project documentation, including bills of materials (BoMs) and purchase orders.

If you have any queries regarding any of our documentation our dedicated sales team will be happy to help.

TAPE & REEL SPECIFICATION



A:178* B:12 C:4 D:2.6 E:4 F:1.1 G:80 H:21

*Larger reel size available. Please ask for details

HANDLING & STORAGE



Human Body Model (HBM) 1A (250V to <500V)



Moisture Sensitivity Level (MSL): 1 (or not applicable)

CONSTRUCTION

Ceramic base and lid

COMPLIANCE



Lead-free (< 0.1% by weight)

RoHS compliant with no exemptions. [See our declaration](#)REACH compliant. [See our statement](#)Free of conflict minerals. [See our declaration](#)Free of Halogens. [See our declaration](#)Free of Ozone-depleting substances. [See our declaration](#)