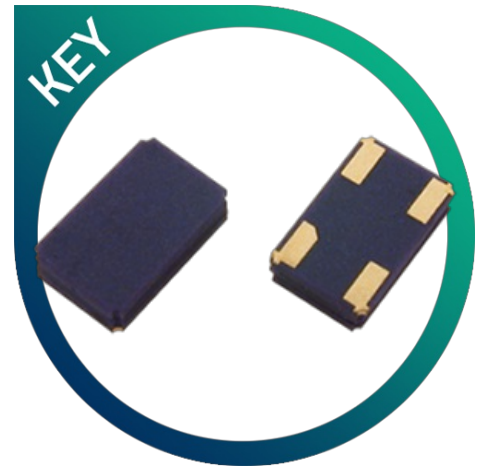


CC6A-T1AH

-55+200°C Miniature SM Crystal for Extreme Environments

- Suitable for Avionics, Down-hole, Geothermal etc
- Extreme temperature ranges up to 200°C
- High stability & low ageing under extremes
- High shock & vibration resistance
- Ultra low MSL

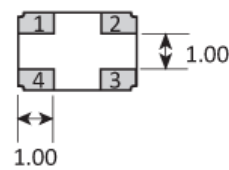
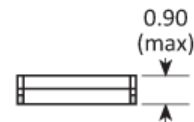
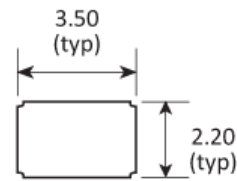
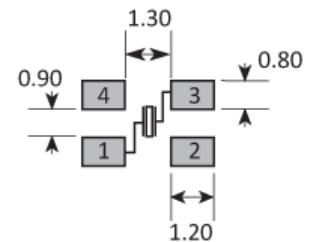


CONFIGURABLE OPTIONS

Parameter	Option Code
Frequency	
Temperature stability	
Any	
±100ppm over -55 to +125°C	TC
±150ppm over -55 to +175°C	TD
±250ppm over -55 to +200°C	TG
Circuit condition	
20pF	

SPECIFICATIONS

Frequency range	16.0 ~ 40.0MHz
Dimensions	3.5 x 2.2 x 0.9mm
Calibration tolerance (@ 25°C)	±50ppm
Storage temperature range	-55 to +125°C
Oscillation mode	Fundamental
Equivalent series resistance	80Ω typ, 200Ω max (16.0 ~ 19.99MHz) 60Ω typ, 120Ω max (20.0 ~ 23.99MHz) 50Ω typ, 100Ω max (24.0 ~ 40.0MHz)
Motional capacitance (C ₁)	2fF typ, 4fF max (16.0 ~ 19.99MHz) 3fF typ, 5fF max (20.0 ~ 23.99MHz) 4fF typ, 6fF max (24.0 ~ 40.0MHz)
Static capacitance (C ₀)	1.5pF typ (16.0 ~ 19.99MHz) 2.0pF typ (20.0 ~ 23.99MHz) 3.0pF typ (24.0 ~ 40.0MHz)
Ageing	±3ppm max first year
Test drive level	100μW typ, 200μW max
Shock resistance	10,000g, 0.3ms, ½ sine
Vibration resistance	40g rms 10.0 ~ 2,000Hz
Soldering condition	260°C, 20s max
Terminations	Gold plated pads

PACKAGE DRAWING

SOLDER PAD LAYOUT


TOP VIEW

PAD	CONNECTION
1	Crystal
2	Not connected
3	Crystal
4	Not connected

Dimensions in mm

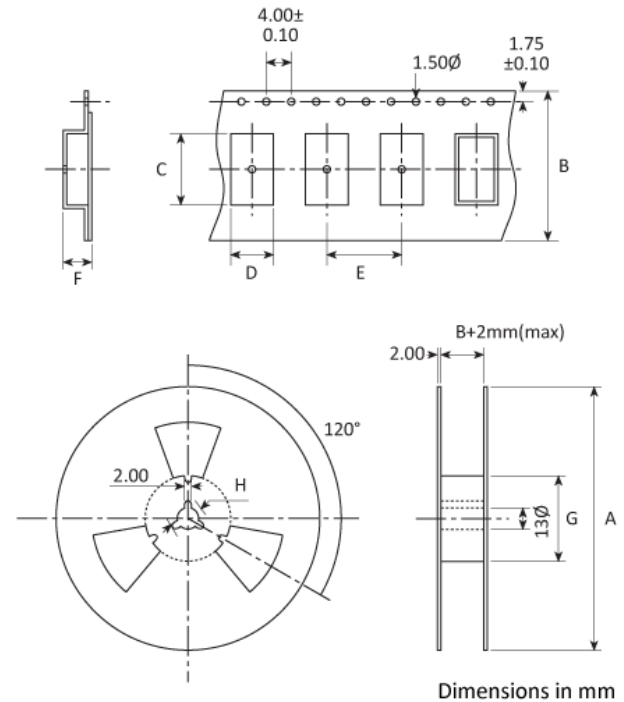
ORDERING INFORMATION

To request a quotation for the CC6A-T1AH please use the configurable options form to choose the options you require and then submit your configured product to our team. Our expert advisers are always happy to help with your requirements and can be contacted on +44 1460 256 100 or at sales@golledge.com.

Following product selection you will be issued with a seven character Golledge part number. Your Golledge part number is the internationally accepted Golledge manufacturing part number (MPN) that should be used for all project documentation, including bills of materials (BoMs) and purchase orders.

If you have any queries regarding any of our documentation our dedicated sales team will be happy to help.

TAPE & REEL SPECIFICATION



A:178* B:12 C:4 D:2.6 E:4 F:1.1 G:80 H:21

*Larger reel size available. Please ask for details

HANDLING & STORAGE



Human Body Model (HBM) 1A (250V to <500V)



Moisture Sensitivity Level (MSL): 1 (or not applicable)

CONSTRUCTION

Ceramic base and lid

COMPLIANCE



Lead-free (< 0.1% by weight)



RoHS compliant with no exemptions. [See our](#)

[declaration](#)



REACH compliant. [See our statement](#)



Free of conflict minerals. [See our declaration](#)



Free of Halogens. [See our declaration](#)



Free of Ozone-depleting substances. [See our](#)

[declaration](#)