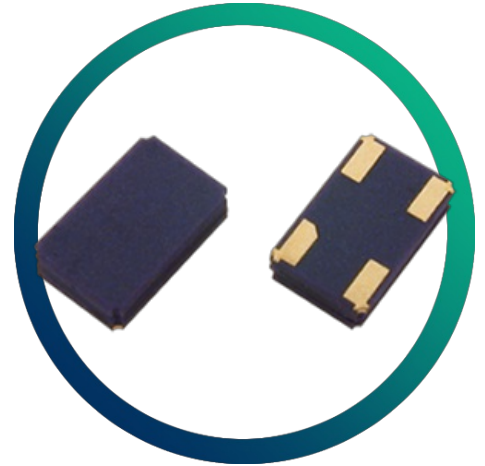


CC6A-T1A

High Frequency Fundamental Mode SM Crystal -55+125°C



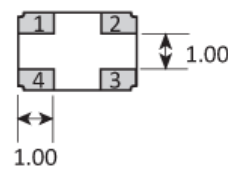
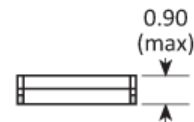
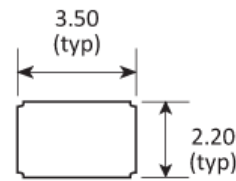
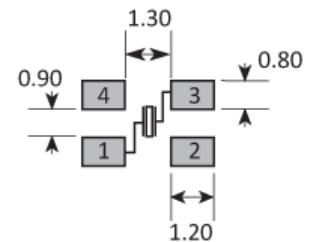
- Suitable for Avionics, Sat Comms etc
- Military temperature range -55+125°C option
- High stability & low ageing
- High shock & vibration resistance
- Fundamental mode up to 70MHz

CONFIGURABLE OPTIONS

Parameter	Option Code
Frequency	
Temperature stability	
Any	
±50ppm over -40 to +85°C	TA
±80ppm over -40 to +125°C	TB
±100ppm over -55 to +125°C	TC
Circuit condition	
20pF	

SPECIFICATIONS

Frequency range	16.0 ~ 70.0MHz
Dimensions	3.5 x 2.2 x 0.9mm
Calibration tolerance (@ 25°C)	±50ppm
Storage temperature range	-55 to +125°C
Oscillation mode	Fundamental
Equivalent series resistance	60Ω typ, 120Ω max (16.0 ~ 19.99MHz) 40Ω typ, 85Ω max (20.0 ~ 23.99MHz) 30Ω typ, 50Ω max (24.0 ~ 39.99MHz) 20Ω typ, 40Ω max (40.0 ~ 70.0MHz)
Motional capacitance (C ₁)	2fF typ, 4fF max (16.0 ~ 19.99MHz) 3fF typ, 5fF max (20.0 ~ 23.99MHz) 4fF typ, 6fF max (24.0 ~ 39.99MHz) 5fF typ, 8fF max (40.0 ~ 70.0MHz)
Static capacitance (C ₀)	1.5pF typ (16.0 ~ 19.99MHz) 2.0pF typ (20.0 ~ 23.99MHz) 2.5pF typ (24.0 ~ 39.99MHz) 3.0pF typ (40.0 ~ 70.0MHz)
Ageing	±3ppm max first year
Test drive level	100μW typ, 250μW max
Shock resistance	5,000g, 0.3ms, ½ sine
Vibration resistance	20g rms 10.0 ~ 2,000Hz
Terminations	Gold flashed pads
Soldering condition	260°C, 20s max

PACKAGE DRAWING

SOLDER PAD LAYOUT


TOP VIEW

PAD	CONNECTION
1	Crystal
2	Not connected
3	Crystal
4	Not connected

Dimensions in mm

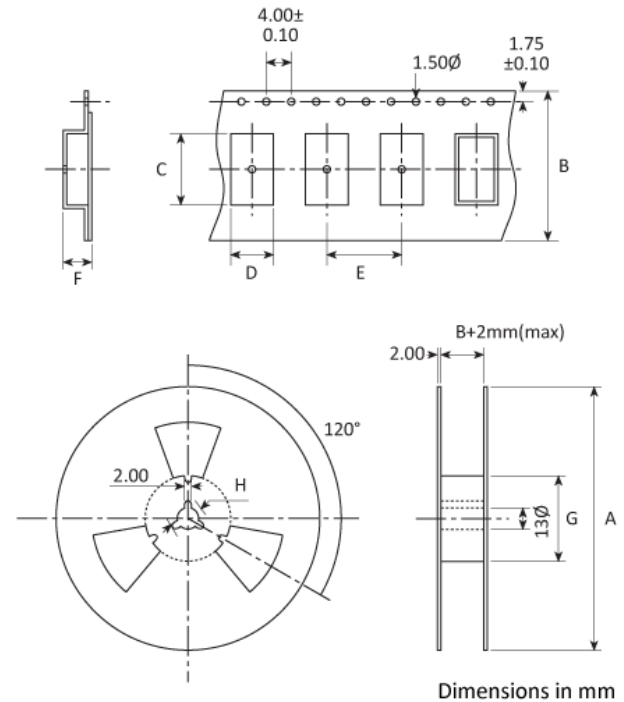
ORDERING INFORMATION

To request a quotation for the CC6A-T1A please use the configurable options form to choose the options you require and then submit your configured product to our team. Our expert advisers are always happy to help with your requirements and can be contacted on +44 1460 256 100 or at sales@golledge.com.

Following product selection you will be issued with a seven character Golledge part number. Your Golledge part number is the internationally accepted Golledge manufacturing part number (MPN) that should be used for all project documentation, including bills of materials (BoMs) and purchase orders.

If you have any queries regarding any of our documentation our dedicated sales team will be happy to help.

TAPE & REEL SPECIFICATION



A:178* B:12 C:4 D:2.6 E:4 F:1.1 G:80 H:21

*Larger reel size available. Please ask for details

HANDLING & STORAGE



Human Body Model (HBM) 1A (250V to <500V)



Moisture Sensitivity Level (MSL): 1 (or not applicable)

CONSTRUCTION

Ceramic base and lid

COMPLIANCE



Lead-free (< 0.1% by weight)



RoHS compliant with no exemptions. [See our](#)

[declaration](#)



REACH compliant. [See our statement](#)



Free of conflict minerals. [See our declaration](#)



Free of Halogens. [See our declaration](#)



Free of Ozone-depleting substances. [See our](#)

[declaration](#)