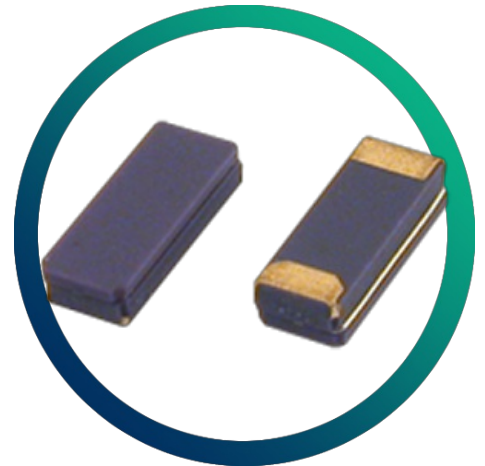


# CC5V-T1A

## Low Frequency SM Crystal - 55+125°C



- High shock & vibration resistance
- Military temperature range -55+125°C option
- Low power consumption

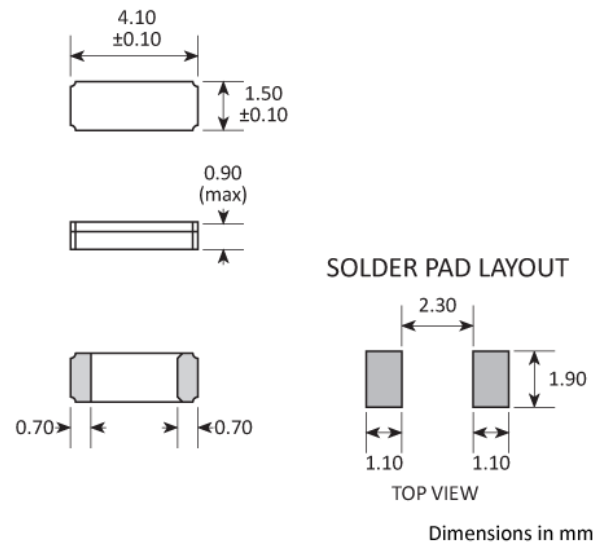
### CONFIGURABLE OPTIONS

Parameter	Option Code
Frequency	
Calibration tolerance	
±20ppm	
Operating temperature range	
Any	
-40 to +85°C	
-55 to +125°C	M
Circuit condition	
Any	
7pF	
9pF	
12.5pF	

## SPECIFICATIONS

Frequency range	32.768kHz (standard) 32.0 ~ 100kHz
Dimensions	4.1 x 1.5 x 0.9mm
Storage temperature range	-55 to +125 °C
Static capacitance (C <sub>0</sub> )	1.4pF typ
Motional capacitance (C <sub>1</sub> )	2.1fF typ
Equivalent series resistance	60kΩ typ, 80kΩ max @ 25 °C
Ageing	±3ppm max first year
Drive level	1.0μW max
Turnover temperature (T <sub>0</sub> )	+25 °C ±5 °C
Frequency / temp coefficient	-0.035ppm/°C <sup>2</sup> ±10%
Shock resistance	±5ppm, 5,000g, 0.3ms, ½ sine
Vibration resistance	±5ppm, 20g, 10.0 ~ 2,000Hz
Terminations	Gold plated pads
Soldering condition	Reflow, 260 °C, 20 sec max

## PACKAGE DRAWING



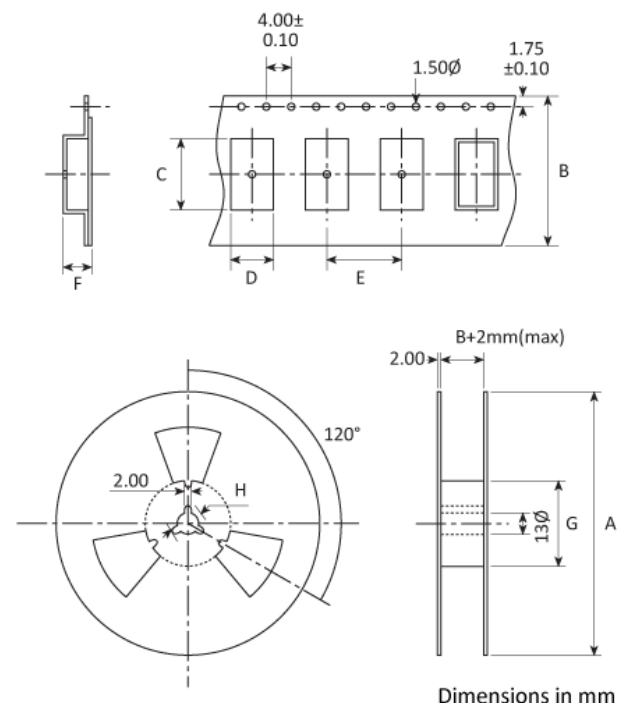
## ORDERING INFORMATION

To request a quotation for the CC5V-T1A please use the configurable options form to choose the options you require and then submit your configured product to our team. Our expert advisers are always happy to help with your requirements and can be contacted on +44 1460 256 100 or at [sales@golledge.com](mailto:sales@golledge.com).

Following product selection you will be issued with a seven character Golledge part number. Your Golledge part number is the internationally accepted Golledge manufacturing part number (MPN) that should be used for all project documentation, including bills of materials (BoMs) and purchase orders.

If you have any queries regarding any of our documentation our dedicated sales team will be happy to help.

## TAPE & REEL SPECIFICATION



A: 178\* B: 12 C: 4.4 D: 1.8 E: 4 F: 1.1 G: 80 H: 21

\*Larger reel size available. Please ask for details

## HANDLING & STORAGE

---



Human Body Model (HBM) 1A (250V to <500V)



Moisture Sensitivity Level (MSL): 1 (or not applicable)

## CONSTRUCTION

---

Ceramic base and lid

## COMPLIANCE

---

Please refer to our **DOCUMENTS** section for more information.



Lead-free (< 0.1% by weight )



RoHS compliant with no exemptions.



REACH compliant.



Free of conflict minerals.



Free from halogens.



Free from ozone-depleting substances.