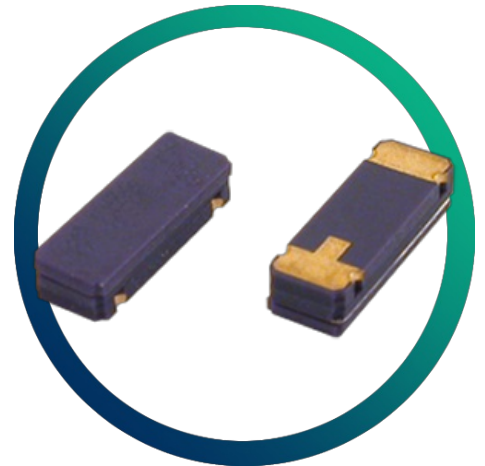


CC1V-T1A

Low Frequency SM Crystal - 55+125°C



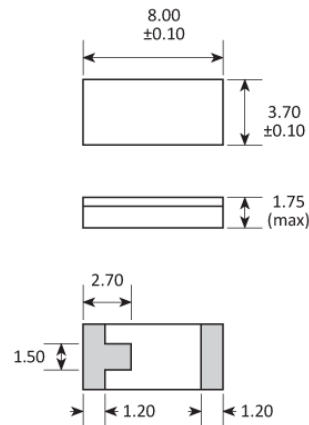
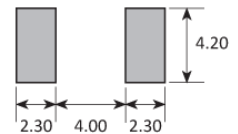
- High shock & vibration resistance
- Military temperature range -55+125°C option
- Low frequency range

CONFIGURABLE OPTIONS

Parameter	Option Code
Frequency	
Calibration tolerance	
Any	
±20ppm max (10.0 ~ 200kHz)	
±100ppm max (10.0kHz ~ 2.0MHz)	
±250ppm max (201 ~ 560kHz)	
±500ppm max (561kHz ~ 2.0MHz)	
Operating temperature range	
Any	
-40 to +85°C	
-55 to +125°C	M

SPECIFICATIONS

Frequency range	10.0kHz ~ 2.0MHz
Dimensions	8.0 x 3.7 x 1.8mm
Storage temperature range	-55 to +125 °C
Circuit condition	12.5pF (32.768kHz) 9pF (10.0 ~ 200kHz) 4pF (201 ~ 560kHz) 10pF (560kHz ~ 2.1MHz)
Static capacitance (C ₀)	1.6pF typ @ 32.768kHz 2.0pF typ @ 307.2kHz 1.6pF typ @ 1.8432MHz
Motional capacitance (C ₁)	2.0fF typ @ 32.768kHz 1.6fF typ @ 307.2kHz 3.8fF typ @ 1.8432MHz
Equivalent series resistance	40kΩ typ, 60kΩ max @ 32.768kHz 1.4kΩ typ, 3.5kΩ max @ 307.2kHz 120Ω typ, 400Ω max @ 1.8432MHz
Ageing	±3ppm max first year
Drive level	1.0μW max
Turnover temperature (T ₀)	+25 °C ±5 °C @ 32.768kHz +32 °C ±5 °C @ 307.2kHz +33 °C ±5 °C @ 1.8432MHz
Frequency / temp coefficient	-0.035ppm/°C ² ±10%
Shock resistance	±5ppm, 5,000g, 0.3ms, ½ sine
Vibration resistance	±5ppm, 20g, 10.0 ~ 2,000Hz
Terminations	Gold plated pads
Soldering condition	Reflow, 260 °C, 20 sec max

PACKAGE DRAWING

SOLDER PAD LAYOUT


TOP VIEW

Dimensions in mm

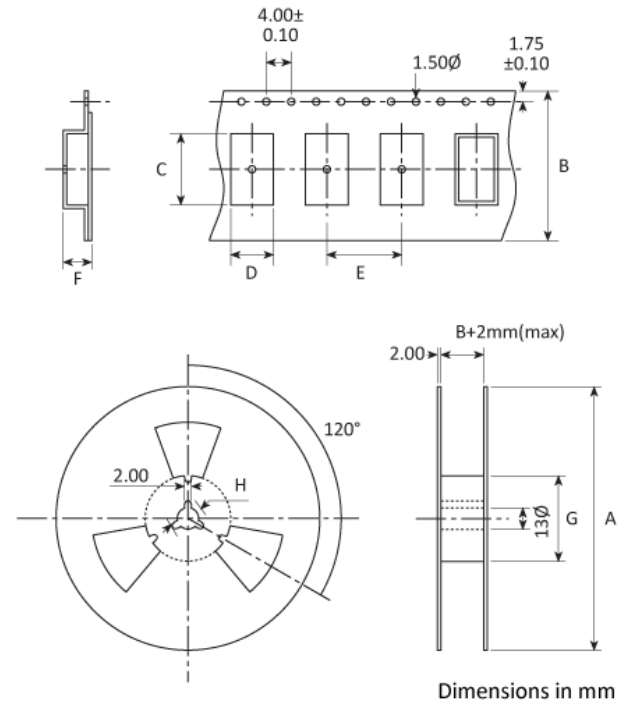
ORDERING INFORMATION

To request a quotation for the CC1V-T1A please use the configurable options form to choose the options you require and then submit your configured product to our team. Our expert advisers are always happy to help with your requirements and can be contacted on +44 1460 256 100 or at sales@golledge.com.

Following product selection you will be issued with a seven character Golledge part number. Your Golledge part number is the internationally accepted Golledge manufacturing part number (MPN) that should be used for all project documentation, including bills of materials (BoMs) and purchase orders.

If you have any queries regarding any of our documentation our dedicated sales team will be happy to help.

TAPE & REEL SPECIFICATION



A:178* B:16 C:8.5 D:4.4 E:8 F:2 G:80 H:21

*Larger reel size available. Please ask for details

HANDLING & STORAGE



Human Body Model (HBM) 1A (250V to <500V)



Moisture Sensitivity Level (MSL): 1 (or not applicable)

CONSTRUCTION

Ceramic base and lid

COMPLIANCE

Please refer to our **DOCUMENTS** section for more information.



Lead-free (< 0.1% by weight)



RoHS compliant with no exemptions.



REACH compliant.



Free of conflict minerals.



Free from halogens.



Free from ozone-depleting substances.