

Product Description

Description:	24.0MHz GSX-223/X SM Crystal
Product family:	GSX-223
Category:	SM Quartz Crystal
Order code:	MP09069

Features

- ▶ Ultra-miniature for maximum space saving
- ▶ Ideal for wireless & mobile applications
- ▶ Metal lid can be grounded to minimise EMI
- ▶ Seam sealed for excellent long-term stability

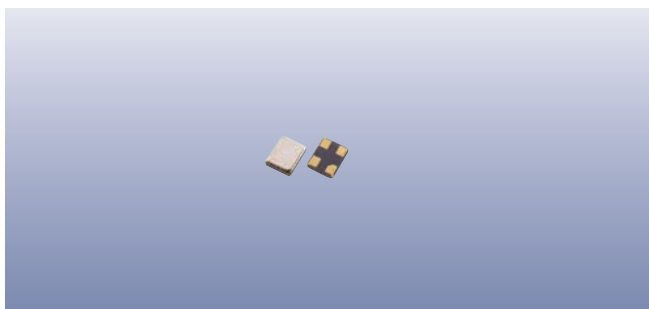
Additional Information

For further information regarding packaging, construction, material composition, soldering profile and environment, please refer to **GSX-223 Product Information sheet**

For dimensions, refer to package drawing: **D0305-A**

Electrical Specifications

Parameter	Value	Notes
Nominal frequency:	24.0MHz	
Calibration tolerance:	±20ppm max	At 25°C ±3°C
Temperature stability:	±20ppm max	Referred to frequency at 25°C
Operating temperature range:	-30 to +80°C	
Storage temperature range:	-40 to +125°C	
Circuit condition:	6pF	
Oscillation mode:	Fundamental	
Equivalent series resistance:	100Ω max	
Test drive level:	50μW typ, 200μW max	
Static capacitance:	3.0pF max	
Ageing:	±1ppm max	Per year



Construction

- ▮ Ceramic body with gold-plated pads
- ▮ Metal lid, seam sealed

Composition



This product is lead-free, and is fully compliant with current RoHS directives



LeadFree

Packaging & Handling

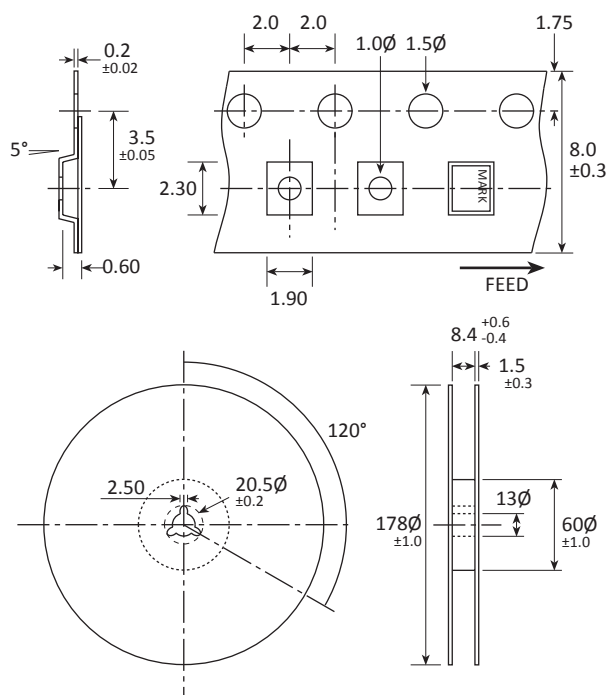
Production quantities supplied on T&R, 3k pcs per reel.
Small quantities may be supplied on tape (no reel), or in bulk.

Marking

FREQUENCY
T DC

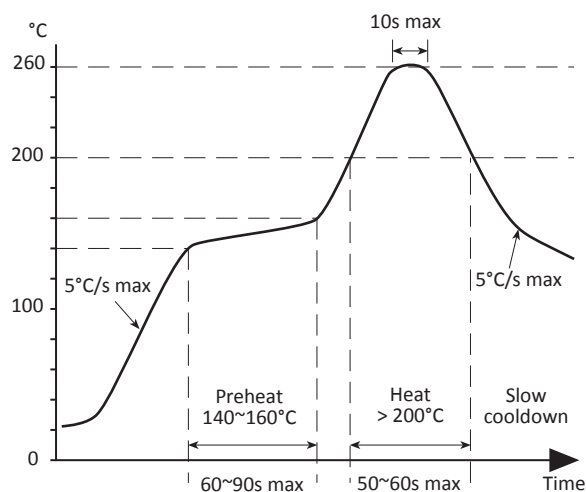
Marking type: Laser
DC = Date code

Tape & Reel Specification

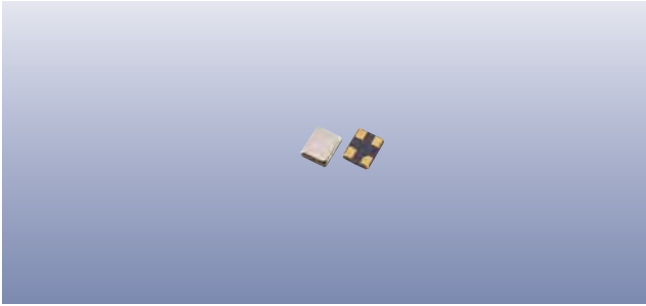


Not to scale. Dimensional tolerances ±0.1mm unless otherwise stated.

Soldering Profile



Maximum solder resistance: 260°C x 10 secs x 2.



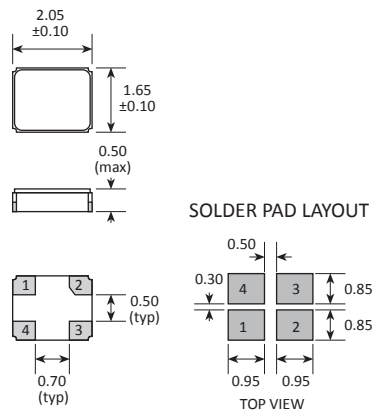
Product Family

GRX-220, GSX-223

Construction

- ▮▮▮▮ Ceramic body with gold-plated pads
- ▮▮▮▮ Metal lid, seam sealed

Dimensions (mm)



PAD	CONNECTION
1	Crystal
2	Ground & lid
3	Crystal
4	Ground & lid