

## Product Description

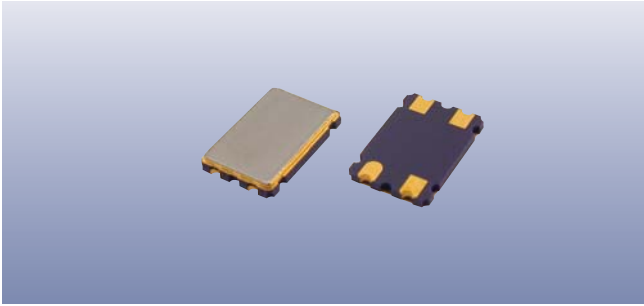
Description:	121.50MHz GSX-2/X SM Crystal
Product family:	GSX-2
Category:	SM Quartz Crystal
Order code:	MP10604

## Additional Information

For dimensions, refer to package drawing: **D0170-A**

## Electrical Specifications

Parameter	Value	Notes
Nominal frequency:	121.50MHz	
Calibration tolerance:	±10ppm	@25°C
Temperature stability:	±30ppm	
Operating temperature range:	-20 to +70°C	
Circuit condition:	Series resonant	
Oscillation mode:	3rd overtone	
Equivalent series resistance:	45Ω max	
Ageing:	±5ppm	First year
Marking:		1st line: 121.5 DC 2nd line: MP0604



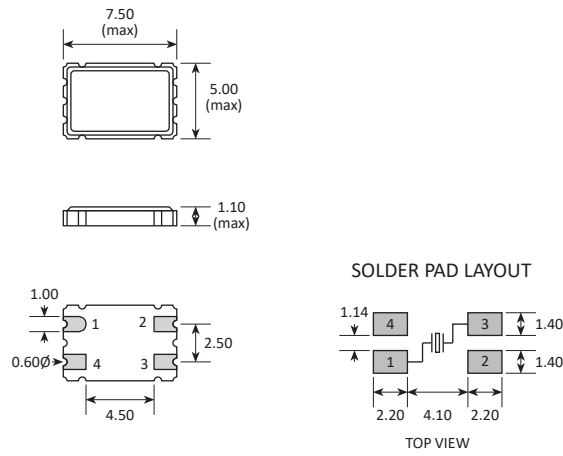
## Product Family

GSX-2, GSX-2F

## Construction

- ▮▮▮▮ Ceramic body with gold-plated pads
- ▮▮▮▮ Metal lid, seam sealed

## Dimensions (mm)



PAD	CONNECTION
1	Crystal
2	Ground & lid
3	Crystal
4	Ground & lid