

## Product Description

Description:	32.0MHz GSX-333/112DF SM Crystal
Product family:	GSX-333
Category:	SM Quartz Crystal
Order code:	MP05404

## Features

- ▶▶▶ Metal lid can be grounded to minimise EMI
- ▶▶▶ Seam sealed for excellent long-term stability
- ▶▶▶ Ultra-miniature for maximum space saving

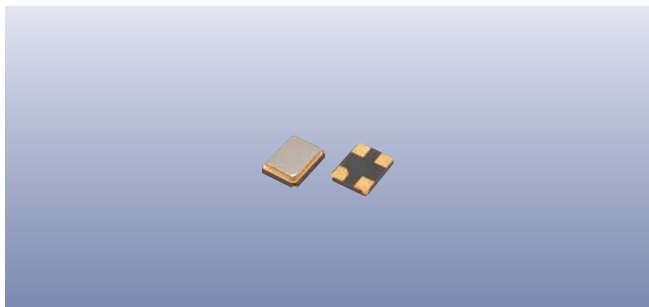
## Additional Information

For further information regarding packaging, construction, material composition, soldering profile and environment, please refer to **GSX-333 Product Information sheet**

For dimensions, refer to package drawing: **D0262-A**

## Electrical Specifications

Parameter	Value	Notes
Nominal frequency:	32.0MHz	
Calibration tolerance:	±10ppm	
Temperature stability:	±10ppm	
Operating temperature range:	-20 to +70°C	
Storage temperature range:	-40 to +85°C	
Circuit condition (C <sub>L</sub> ):	16pF	
Oscillation mode:	Fundamental	
Equivalent series resistance:	50Ω max	
Frequency perturbation:	±1ppm max	
Test drive level:	10μW	
Ageing:	±1ppm max	First year



## Construction

- ▮ Ceramic body with gold-plated pads
- ▮ Metal lid, seam sealed

## Composition



This product is lead-free, and is fully compliant with current RoHS directives



LeadFree

## Packaging & Handling

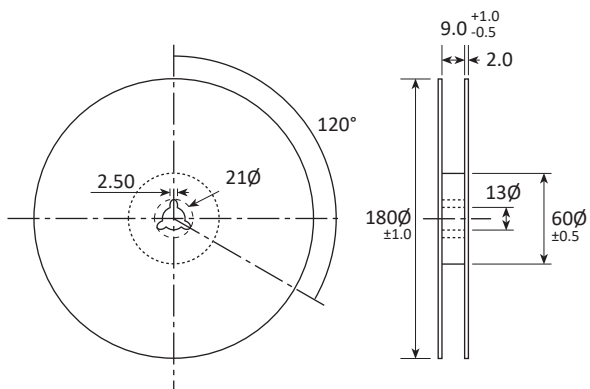
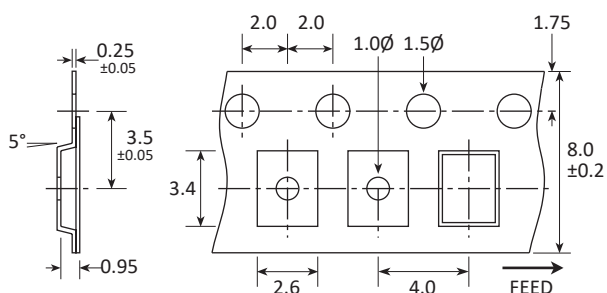
Production quantities supplied on T&R, 3k pcs per reel.  
Small quantities may be supplied on tape (no reel), or in bulk.

## Marking

FREQUENCY  
DC

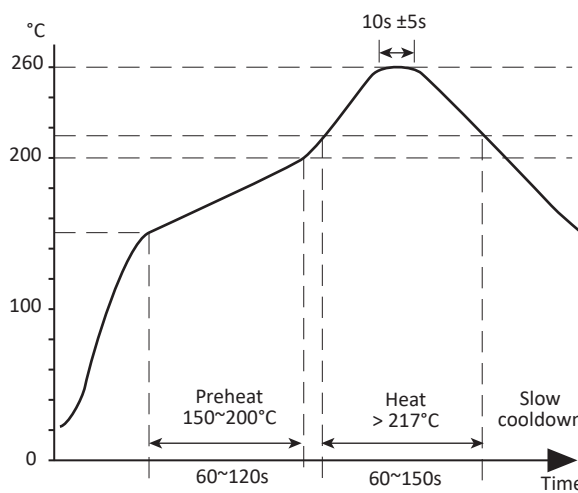
Marking type: Laser  
DC = Date code

## Tape & Reel Specification

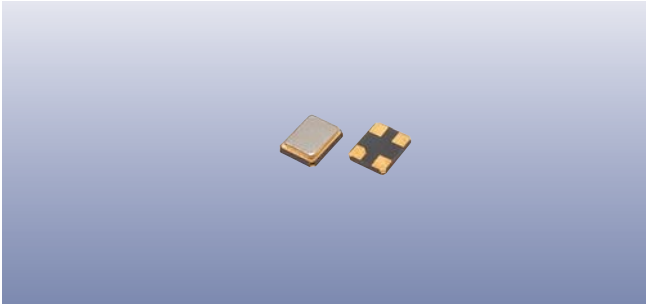


Not to scale. Dimensional tolerances ±0.1mm unless otherwise stated.

## Soldering Profile



Lead free solderability limits 260°C ±5°C x 10s ±5s x 2.



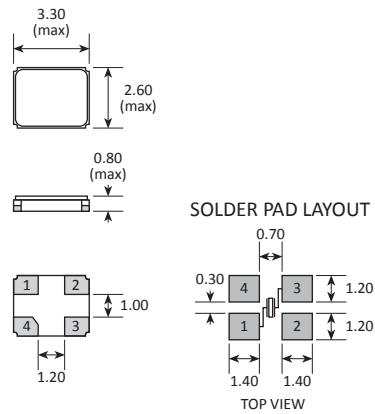
## Product Family

GSX-333

## Construction

- ▮▮▮▮ Ceramic body with gold-plated pads
- ▮▮▮▮ Metal lid, seam sealed

## Dimensions (mm)



PAD	CONNECTION
1	Crystal
2	Ground & lid
3	Crystal
4	Ground & lid

NOTE: Chamfer normally on pad 4, but may alternatively be supplied on pad 1.