

## Product Description

Description:	27.0MHz GVXO-523/SB SM VCXO
Product family:	GVXO-523
Category:	VCXO
Order code:	MP07439

## Features

- ▶ Miniature SM package
- ▶ 3.3V supply
- ▶ Fundamental mode

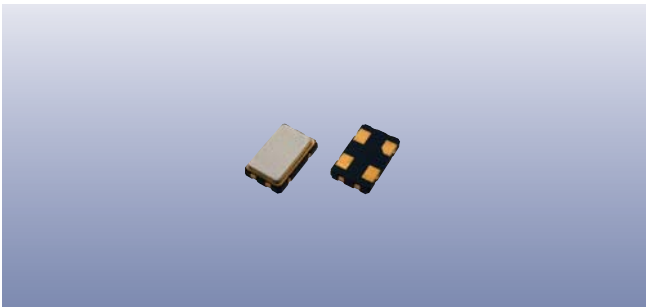
## Additional Information

For further information regarding packaging, construction, material composition, soldering profile and environment, please refer to **GVXO-523 Product Information sheet**

For dimensions, refer to package drawing: **D0266-A**

## Electrical Specifications

Parameter	Value	Notes
Nominal frequency:	27.0MHz	
Frequency stability:	±50ppm max	V <sub>CONT</sub> = 1.65V
Frequency pullability:	±100ppm min	
Control voltage range:	+1.65V ± 1.50V	10% linearity
Operating temperature range:	-20 to +70°C	
Storage temperature range:	-40 to +85°C	
Supply voltage (V <sub>DD</sub> ):	+3.3V	±10%
Supply current:	15mA max	
Driving ability:	15pF CMOS	
Logic levels:	'0' level = 10%V <sub>DD</sub> min '1' level = 90%V <sub>DD</sub> min	
Waveform symmetry:	45:55 max	@ 50% V <sub>DD</sub>
Rise/fall times:	5ns max	10%~90%V <sub>DD</sub>
Start up time:	10ms max	
Period jitter RMS:	6ps max	
Phase jitter RMS:	1ps max, 12kHz ~ 20MHz	
Phase noise:	-130dBc/Hz typ @ 1kHz	
Ageing:	±5ppm max	First year



## Construction

- ▮ Ceramic body with gold-plated pads
- ▮ Metal lid, seam sealed

## Composition



This product is lead-free, and is fully compliant with the RoHS 2 directive 2011/65/EU



## Packaging & Handling

Production quantities supplied on T&R, 1k pcs per reel.  
Small quantities may be supplied on tape (no reel), or in bulk.



◆ Static sensitive product. Observe proper handling precautions

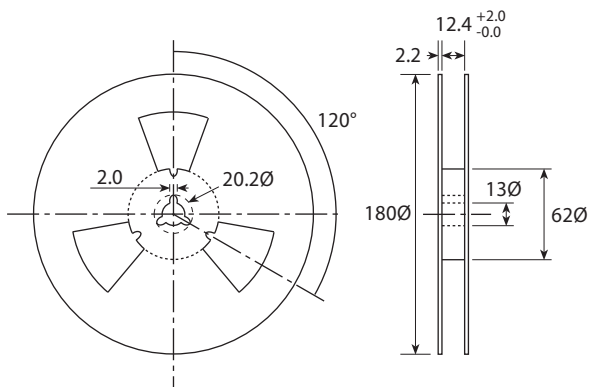
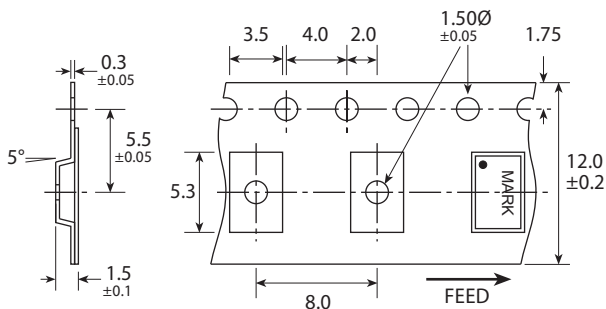
## Marking

FREQUENCY  
• PARTNO DC

- Pin 1
- Marking type: Laser
- DC = Date code in YM, eg "DE" = May 2014

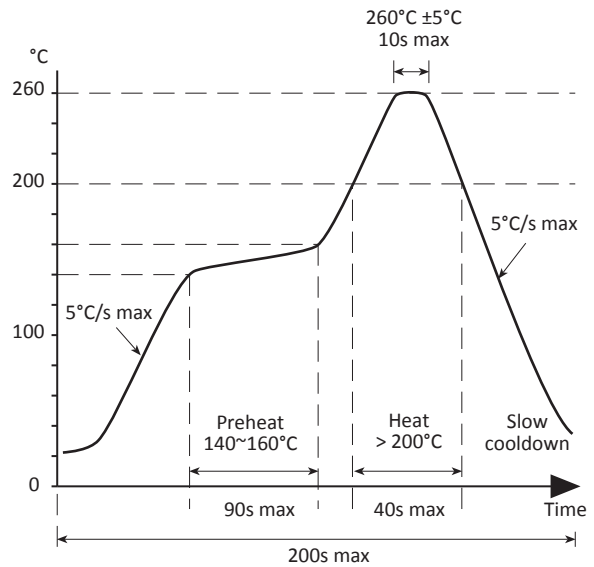
	A	B	C	D	E	F	G	H	J	K	L	M
Y	1	2	3	4	5	6	7	8	9	0		
M	Jan	Feb	Mar	Apr	May	Jun	Jul	Aug	Sep	Oct	Nov	Dec

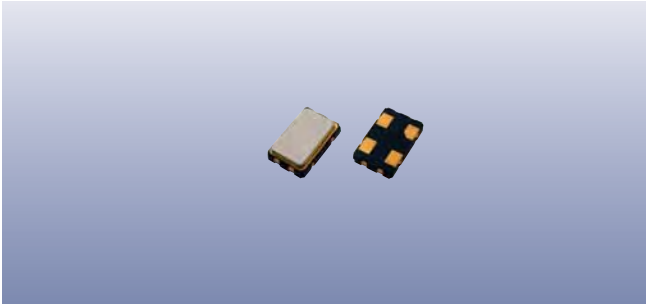
## Tape & Reel Specification



Not to scale. Dimensions in mm. Tolerances ±0.1mm unless otherwise stated

## Soldering Profile





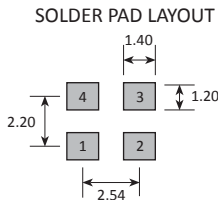
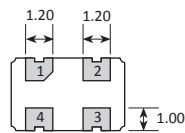
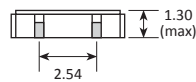
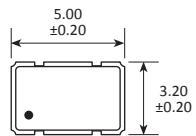
## Product Family

GVXO-523

## Construction

- ▮▮▮▮ Ceramic body with gold-plated pads
- ▮▮▮▮ Metal lid, seam sealed

## Dimensions (mm)



TOP VIEW

PAD	CONNECTION
1	Control voltage
2	Ground
3	Output
4	Supply