

Product Description

Description:	32.0MHz GSX-223/1P3MF SM Crystal
Product family:	GSX-223
Category:	SM Quartz Crystal
Order code:	MP06003

Features

- ▶ Ultra-miniature for maximum space saving
- ▶ Ideal for wireless & mobile applications
- ▶ Metal lid can be grounded to minimise EMI
- ▶ Seam sealed for excellent long-term stability

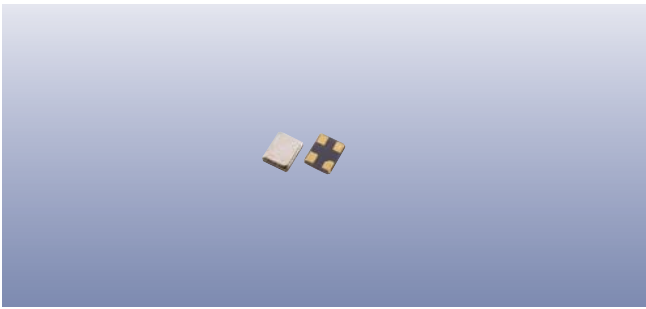
Additional Information

For further information regarding packaging, construction, material composition, soldering profile and environment, please refer to **GSX-223 Product Information sheet**

For dimensions, refer to package drawing: **D0305-A**

Electrical Specifications

Parameter	Value	Notes
Nominal frequency:	32.0MHz	
Calibration tolerance:	±10ppm max	At 25°C ±3°C
Temperature stability:	±15ppm max	Referred to frequency at 25°C
Operating temperature range:	-30 to +85°C	
Storage temperature range:	-30 to +105°C	
Circuit condition:	8pF	
Static capacitance (C ₀):	3.0pF max	
Oscillation mode:	Fundamental	
Equivalent series resistance:	50Ω max	
Test drive level:	10μW typ, 100μW max	



Construction

- ▮ Ceramic body with gold-plated pads
- ▮ Metal lid, seam sealed

Composition



This product is lead-free, and is fully compliant with the RoHS directive 2011/65/EC



Packaging & Handling

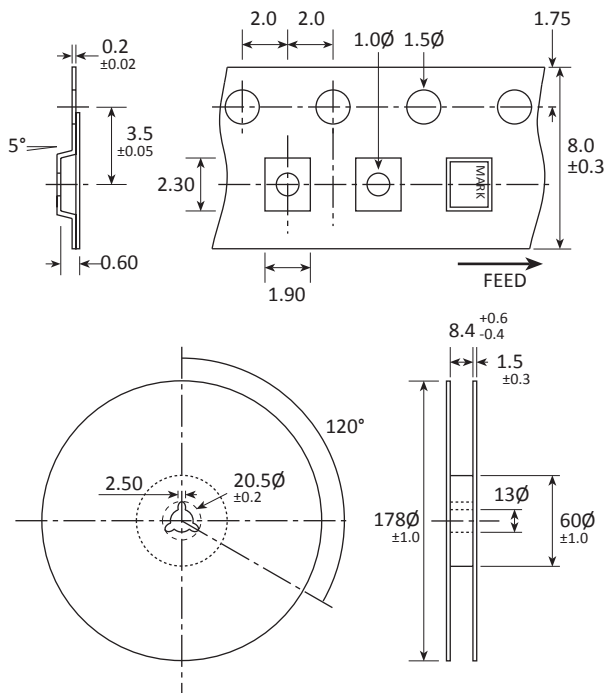
Production quantities supplied on T&R, 3k pcs per reel.
Small quantities may be supplied on tape (no reel), or in bulk.

Marking

FREQUENCY
T DC

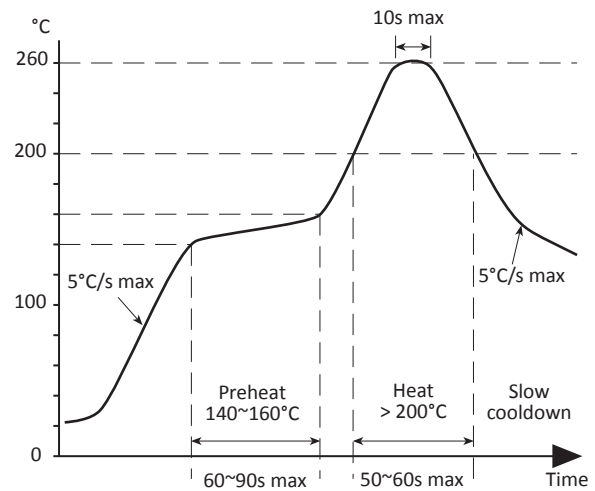
Marking type: Laser
DC = Date code

Tape & Reel Specification

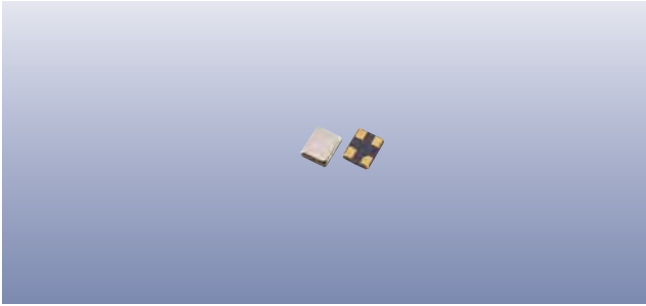


Not to scale. Dimensional tolerances ±0.1mm unless otherwise stated.

Soldering Profile



Maximum solder resistance: 260°C x 10 secs x 2.



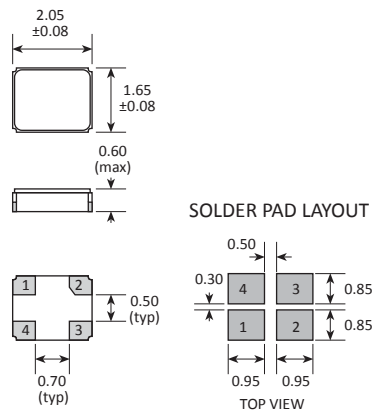
Product Family

GSX-223

Construction

- ▮▮▮▮▮▮ Ceramic body with gold-plated pads
- ▮▮▮▮▮▮ Metal lid, seam sealed

Dimensions (mm)



PAD	CONNECTION
1	Crystal
2	Not connected
3	Crystal
4	Ground & lid