

Product Description

Description: 26.0MHz GSX-333/1P4NF SM Crystal
 Product family: GSX-333
 Category: SM Quartz Crystal
 Order code: MP03950

Features

- ▶ *Metal lid can be grounded to minimise EMI*
- ▶ *Seam sealed for excellent long-term stability*
- ▶ *Ultra-miniature for maximum space saving*

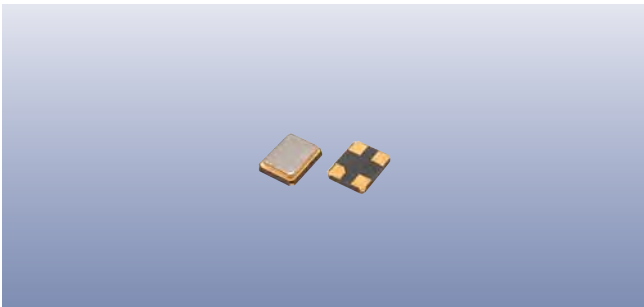
Additional Information

For further information regarding packaging, construction, material composition, soldering profile and environment, please refer to *GSX-333 Product Information sheet*

For dimensions, refer to package drawing: *D0262-A*

Electrical Specifications

| Parameter | Value | Notes |
|---------------------------------------|----------------|-------------------------------|
| Nominal frequency: | 26.0MHz | |
| Calibration tolerance: | ±10ppm max | At 25°C ±3°C |
| Temperature stability: | ±15ppm max | Referred to frequency at 25°C |
| Operating temperature range: | -40 to +85°C | |
| Storage temperature range: | -40 to +85°C | |
| Circuit condition: | 9pF | |
| Static capacitance (C ₀): | 5.0pF max | |
| Oscillation mode: | Fundamental | |
| Equivalent series resistance: | 50Ω max | |
| Aging: | ±1ppm/year max | |
| Test drive level: | 100μW | 50μW min, 500μW max |



Construction

- ▮▮▮▮ *Ceramic body with gold-plated pads*
- ▮▮▮▮ *Metal lid, seam sealed*

Composition



This product is lead-free, and is fully compliant with the RoHS directive 2002/95/EC



Packaging & Handling

Production quantities supplied on T & R, 3k pcs per reel.
Small quantities may be supplied on tape (no reel), or in bulk.

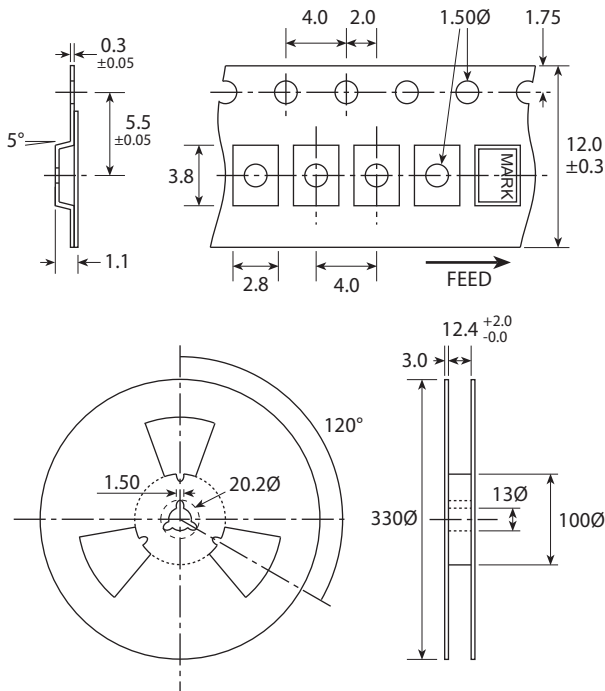
Marking

FREQUENCY
T zDC

Marking type: Laser
DC = Date code in YW, as shown below
Example: "zd" = 2012 week 30

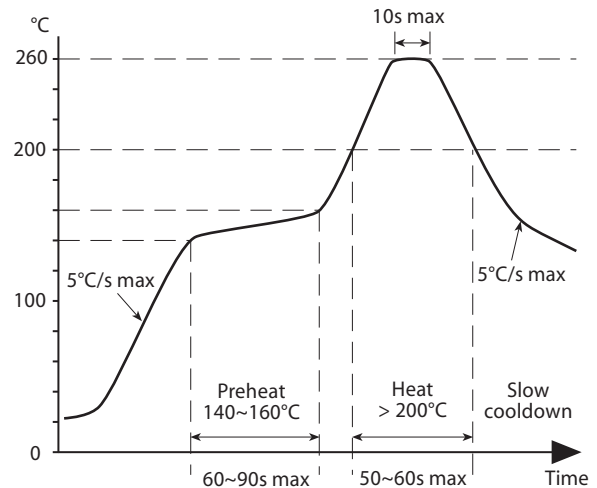
| Year | 2009 | 2010 | 2011 | 2012 | Week codes: |
|------|------|------|------|------|---|
| | 2013 | 2014 | 2015 | 2016 | |
| Code | Z | z | Z | z | A ~ Z: weeks 1 to 26 a ~ z: weeks 27 to 52 |

Tape & Reel Specification

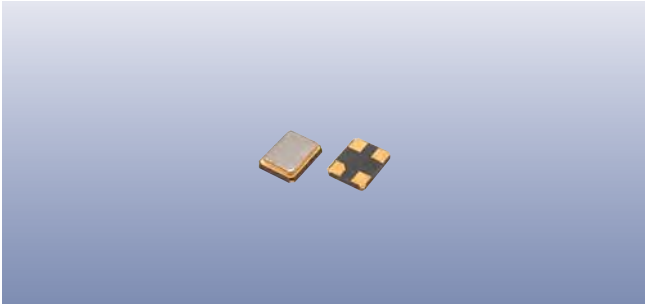


Not to scale. Dimensional tolerances ±0.1mm unless otherwise stated

Soldering Profile



Maximum solder resistance: 260°C x 10 secs x 2.



Product Family

GSX-333

Construction

- ▮▮▮▮ *Ceramic body with gold-plated pads*
- ▮▮▮▮ *Metal lid, seam sealed*

Dimensions (mm) Scale 3:1

