

Product Description

Description: 30.0MHz GSX-323/112AF SM Crystal
 Product family: GSX-323
 Category: SM Quartz Crystal
 Order code: MP01207

Features

- ▶ *Metal lid can be grounded to minimise EMI*
- ▶ *Seam sealed for excellent long-term stability*
- ▶ *Ultra-miniature for maximum space saving*

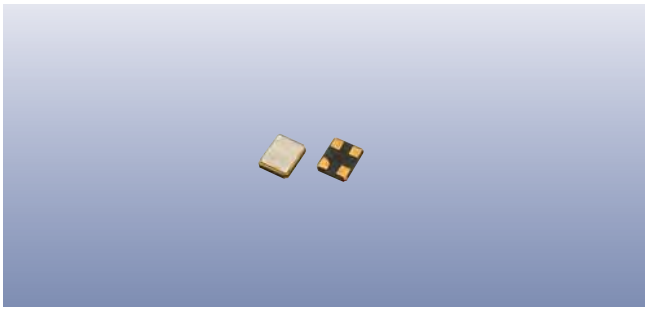
Additional Information

For further information regarding packaging, construction, material composition, soldering profile and environment, please refer to *GSX-323 Product Information sheet*

For dimensions, refer to package drawing: *D0280-A*

Electrical Specifications

<i>Parameter</i>	<i>Value</i>	<i>Notes</i>
<i>Nominal frequency:</i>	30.0MHz	
<i>Calibration tolerance:</i>	±10ppm max	At 25°C ±3°C
<i>Temperature stability:</i>	±10ppm max	Referred to frequency at 25°C
<i>Operating temperature range:</i>	-20 to +70°C	
<i>Storage temperature range:</i>	-40 to +85°C	
<i>Circuit condition:</i>	10pF	
<i>Static capacitance (C₀):</i>	3.0pF max	
<i>Oscillation mode:</i>	Fundamental	
<i>Equivalent series resistance:</i>	50Ω max	
<i>Ageing:</i>	±1.0ppm max	
<i>Test drive level:</i>	100µW	



Construction

- ▮▮▮ *Ceramic body with gold-plated pads*
- ▮▮▮ *Metal lid, seam sealed*

Composition



This product is lead-free, and is fully compliant with the RoHS directive 2002/95/EC



Packaging & Handling

Production quantities supplied on T & R, 3k pcs per reel.
Small quantities may be supplied on tape (no reel), or in bulk.

Marking

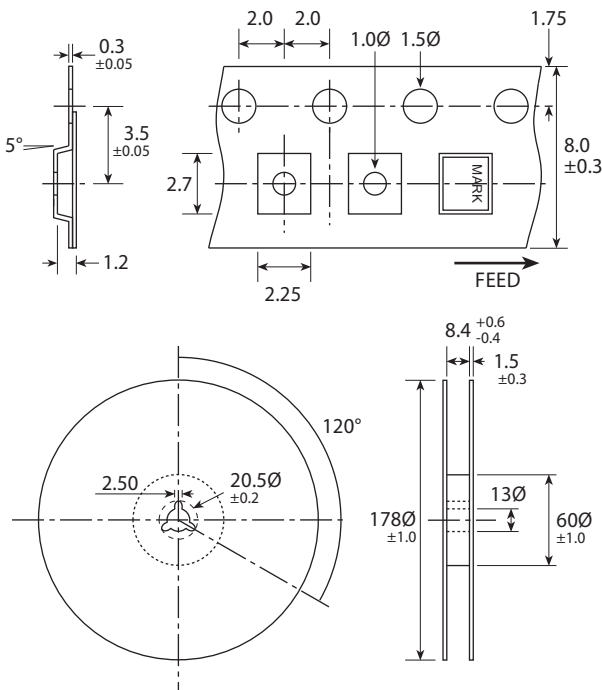
FREQUENCY
T DC

Marking type: Laser
DC = Date code in YW, as shown below
Example: "xd" = 2006 week 30

Year	2001 2005	2002 2006	2003 2007	2004 2008
Code	X	x	X	x

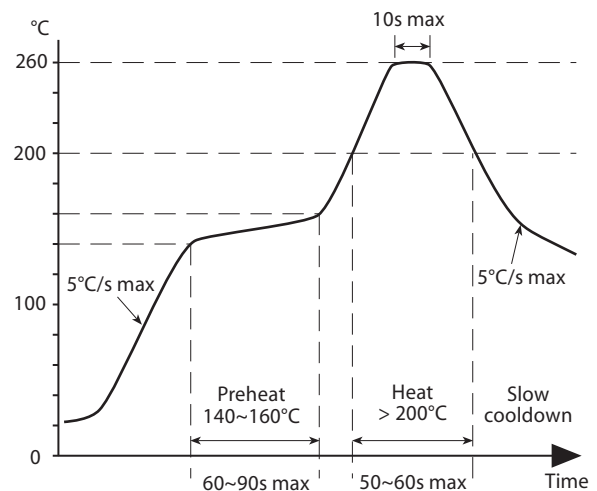
Week codes:
A ~ Z: weeks 1 to 26
a ~ z: weeks 27 to 52

Tape & Reel Specification

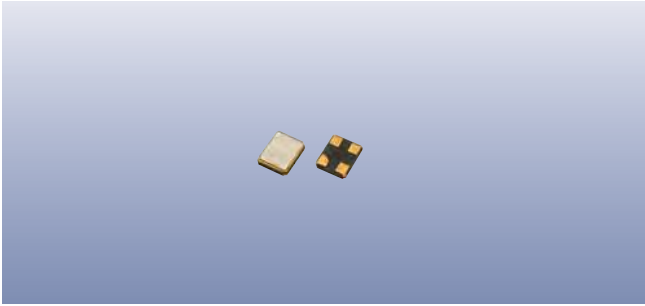


Not to scale. Dimensional tolerances ±0.1mm unless otherwise stated

Soldering Profile



Maximum solder resistance: 260°C x 10 secs x 2.



Product Family

GSX-323

Construction

- ▮▮▮▮ *Ceramic body with gold-plated pads*
- ▮▮▮▮ *Metal lid, seam sealed*

Dimensions (mm) Scale 4:1

