



Product Description

Description:	32.7680kHz GSX-201 SM Crystal
Product family:	GSX-201
Category:	SM Quartz Crystal
Order code:	MP10679

Features

- ▶ Plastic moulded surface mount package
- ▶ Industry standard package

Additional Information

For dimensions, refer to package drawing: **D0177-B**

Electrical Specifications

Parameter	Value	Notes
Nominal frequency:	32.7680kHz	
Calibration tolerance:	±20ppm	@25°C
Operating temperature range:	-40 to +85°C	
Storage temperature range:	-55 to +125°C	
Turnover temperature (T ₀):	+25°C	±5°C
Frequency / temperature coefficient:	-0.034 ±0.006ppm/°C ² typ	
Circuit condition:	12.5pF	
Static capacitance (C ₀):	1.35pF typ	
Motional capacitance (C ₁):	3.0fF typ	
Ageing:	<±3ppm max	First year
Oscillation mode:	Fundamental	
Equivalent series resistance:	50kΩ max	@25°C
Drive level:	0.1μW typ, 1.0μW max	



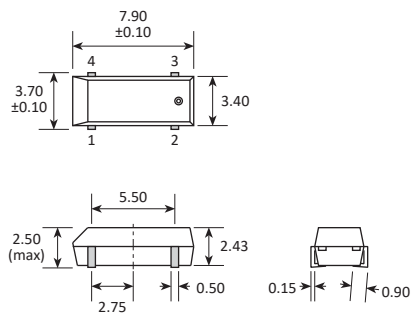
Product Family

GSX-201

Construction

▮▮▮▮▶ Plastic moulded surface mount package

Dimensions (mm)



SOLDER PAD LAYOUT

