

**SAW Resonator 614.7260MHz**  
**Part No: MP09972**

**Model: TC0340A**  
**Rev No: 1**

**A. FEATURES:**

One - Port Resonator

**B. MAXIMUM RATING:**

1. Input Power Level: 0dBm
2. DC voltage: 3V
3. Operating Temperature: -40°C to +85°C
4. Storage Temperature: -40°C to +85°C
5. Moisture Sensitive Level (MSL): Level 1

**C. ELECTRICAL CHARACTERISTICS:**

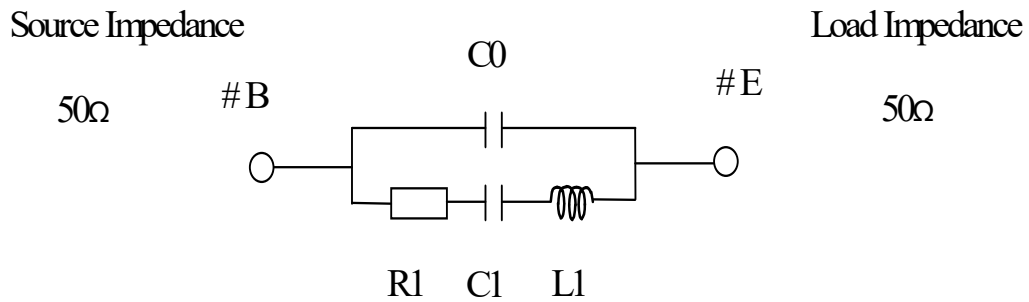
Characteristic	Unit	Min.	Typ.	Max.
Center frequency Fr	MHz	614.691	614.726	614.761
Insertion Loss IL	dB	-	1.24	2.0
Equivalent Elements				
Motional capacitance C1	fF	-	1.47	-
Motional inductance L1	μH	-	45.5	-
Motional resistance R1	Ohm	-	15.0	-
Parallel capacitance Co	pF	-	2.91	-
Temp. coeff.	ppm/c*2	-	0.032	-
Turnover To	deg. C	-	25	-
Package size	SMD 3.0X3.0X1.4mm			

**SAW Resonator 614.7260MHz**  
**Part No: MP09972**

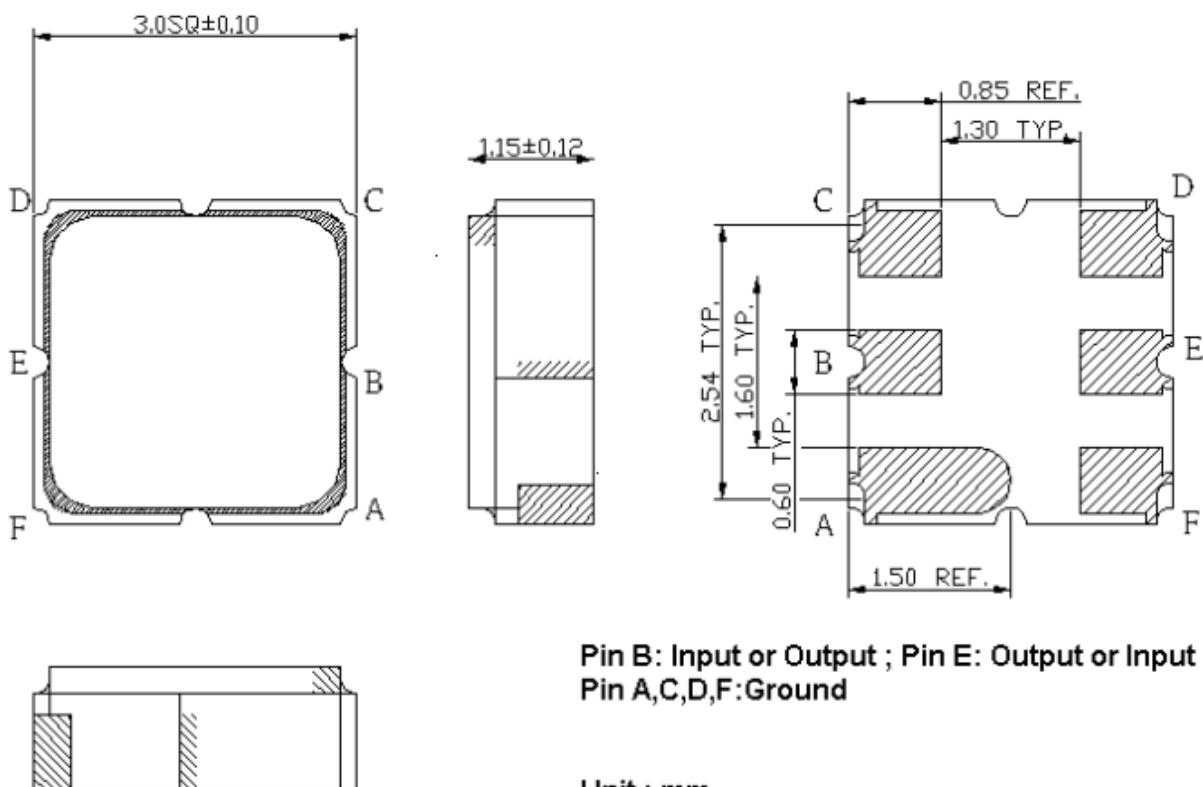
**Model: TC0340A**  
**Rev No: 1**

**D. EQUIVALENT CIRCUIT:**

One-Port Resonator:



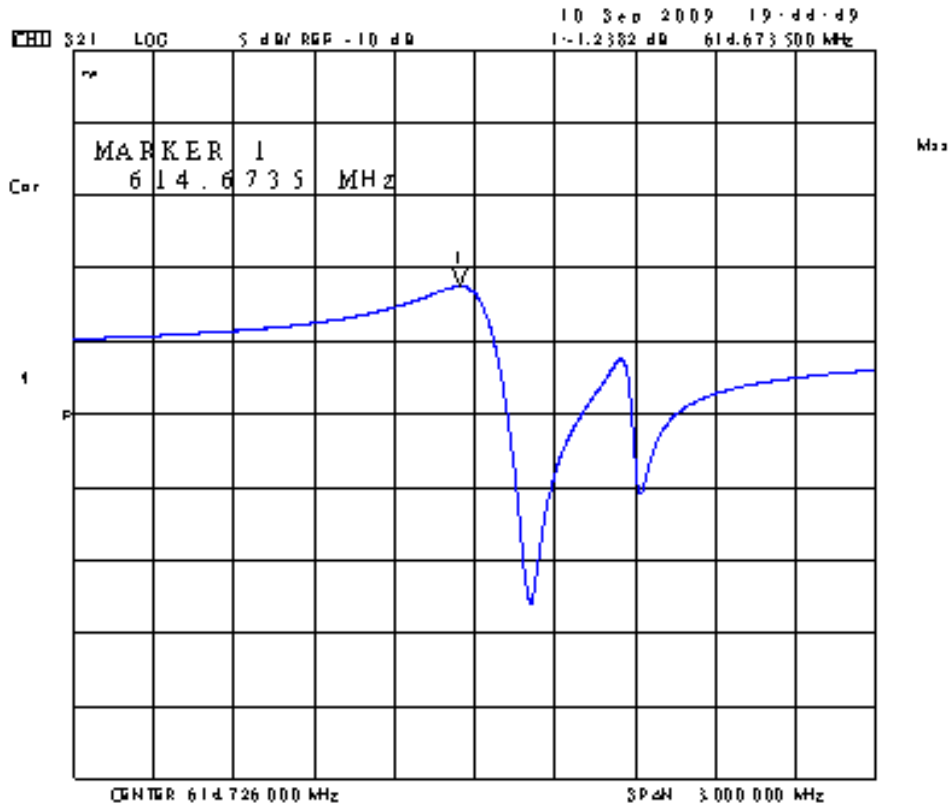
**E. OUTLINE DRAWING:**



**SAW Resonator 614.7260MHz**  
**Part No: MP09972**

**Model: TC0340A**  
**Rev No: 1**

**F. FREQUENCY CHARACTERISTICS:**

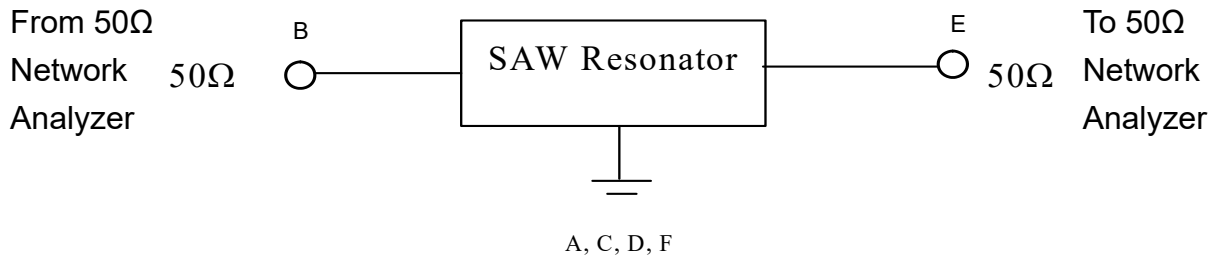


**SAW Resonator 614.7260MHz**  
**Part No: MP09972**

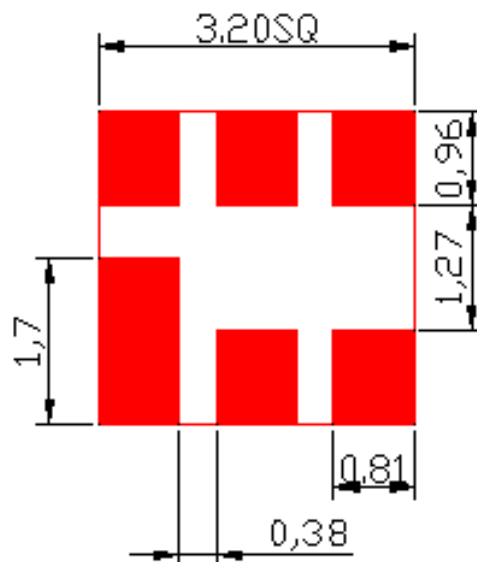
**Model: TC0340A**  
**Rev No: 1**

**G. TEST CIRCUIT:**

Network analyzer



**H. LAND PATTERN:**

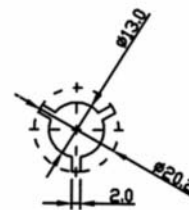
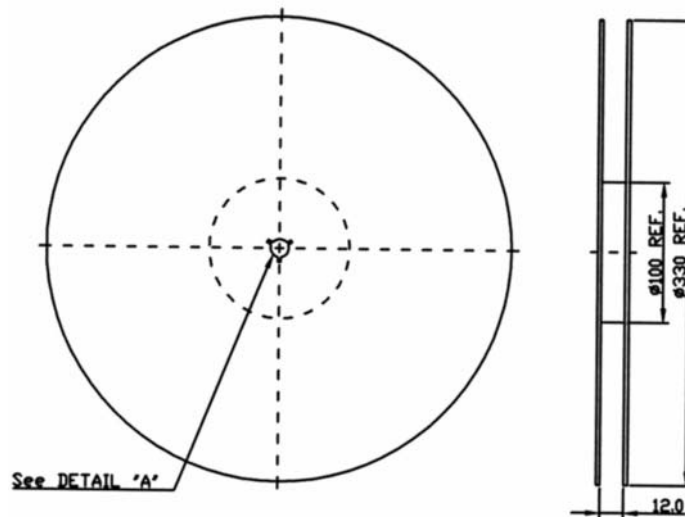


**SAW Resonator 614.7260MHz**  
**Part No: MP09972**

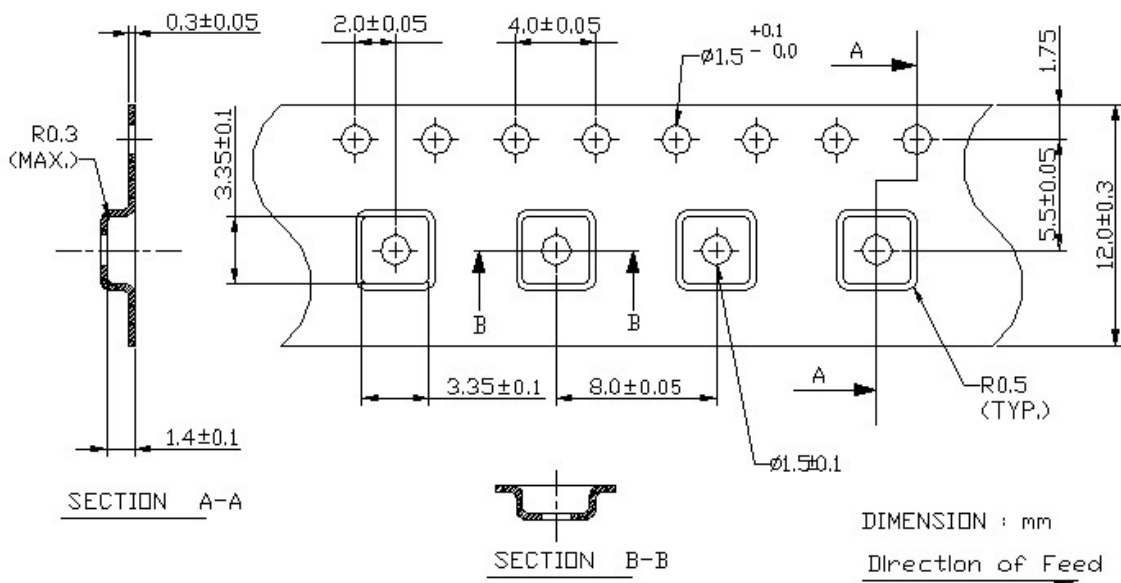
**Model: TC0340A**  
**Rev No: 1**

**I. PACKING:**

1. Reel Dimension



2. Tape Dimension



**SAW Resonator 614.7260MHz**  
**Part No: MP09972**

**Model: TC0340A**  
**Rev No: 1**

**J. RECOMMENDED REFLOW PROFILE:**

