

433.920 MHz SAW Resonator
Part No: MA04249

Model: TC433E2-A
REV NO.: 6

A. FEATURES:

- 1-Port Resonator.

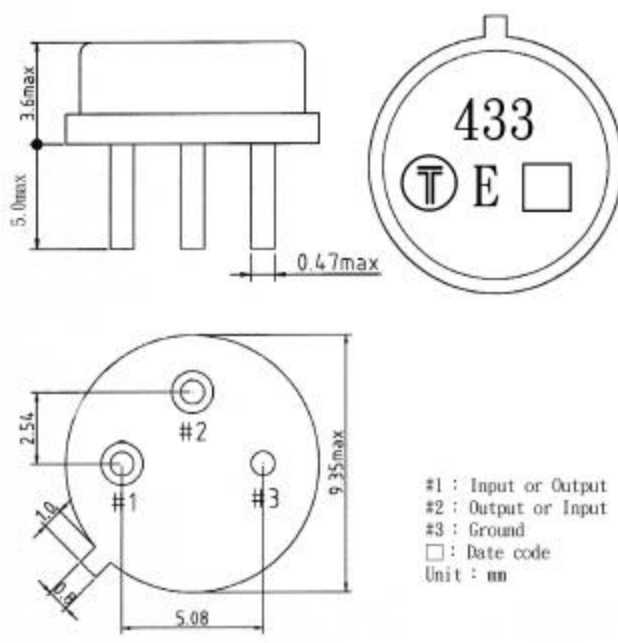
B. MAXIMUM RATING:

1. Input Power Level: 0 dBm
2. DC voltage: 12 V
3. Operating Temperature: -40°C to +85°C
4. Storage Temperature: -40°C to +85°C

C. ELECTRICAL CHARACTERISTICS:

Characteristic	Units	Minimum	Typical	Maximum
Center frequency Fr	MHz	433.845	433.92	433.995
Insertion Loss IL	dB	-	1.0	2.0
Equivalent Elements				
Motional capacitance C1	fF	-	2.3	-
Motional inductance L1	μH	-	58	-
Motional resistance R1	Ohm	-	14	25
Parallel capacitance Co	pF	-	4.1	-
Temp.coeff.	ppm/c*2	-	0.032	-
Turnover To	deg.C	10	25	40
Package size		TO-39		

D. OUTLINE DRAWING:

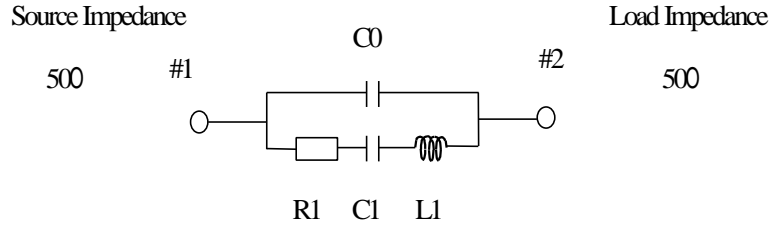


433.920 MHz SAW Resonator
Part No: MA04249

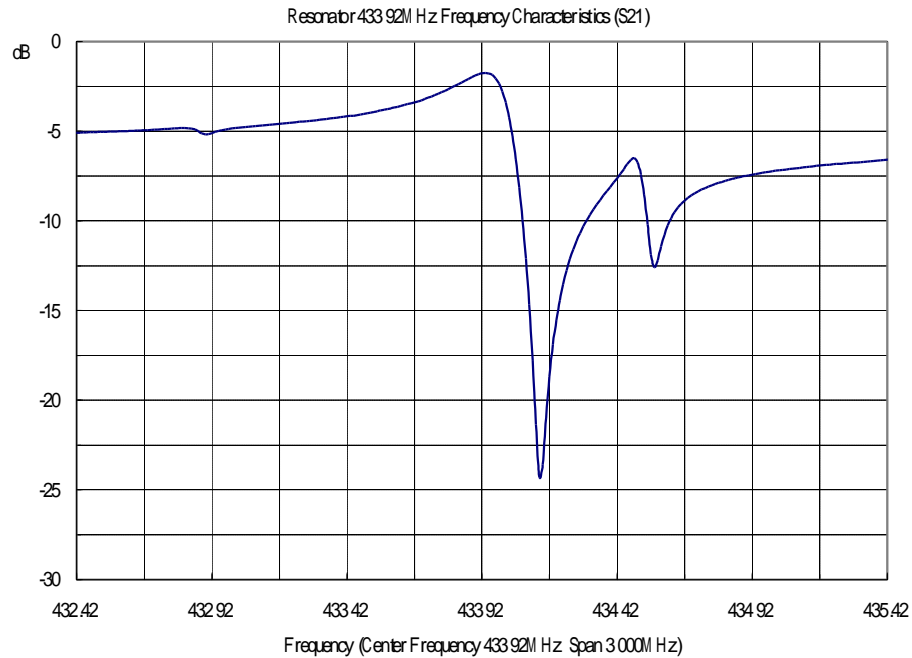
Model: TC433E2-A
REV NO.: 6

E. EQUIVALENT CIRCUIT:

One-Port Resonator:



F. FREQUENCY CHARACTERISTICS:



G. TEST CIRCUIT:

