

SAW Resonator 418.0MHz
Part No: MP11180

Model: TC0481A
Rev No: 1

A. FEATURES:

One-Port Resonator

B. MAXIMUM RATING:

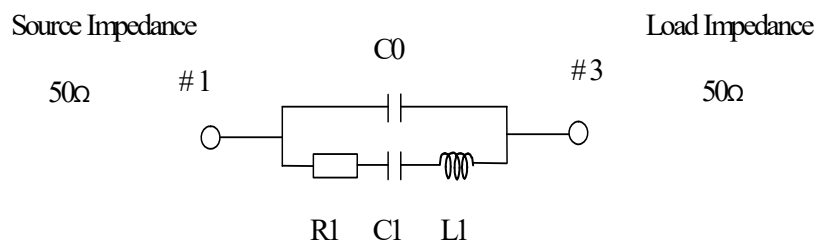
1. Input Power Level: 0dBm
2. DC voltage: 5V
3. Operating Temperature: -40°C to +85°C
4. Storage Temperature: -40°C to +85°C
5. Moisture Sensitive Level (MSL1): Level 1

C. ELECTRICAL CHARACTERISTICS:

Characteristics	Unit	Min	Typ	Max
Center frequency Fc	MHz	417.925	418.000	418.075
Insertion Loss IL	dB	-	1.30	2.0
Equivalent Elements				
Motional capacitance C1	fF	-	1.87	-
Motional inductance L1	μH	-	77.8	-
Motional resistance R1	Ohm	-	14.0	-
Parallel capacitance Co	pF	-	3.22	-
Temp.coeff.	ppm/c*2	-	0.032	-
Turnover To	°C	-	25	-
Package size	SMD 5.0X3.5X1.4mm			

D. EQUIVALENT CIRCUIT:

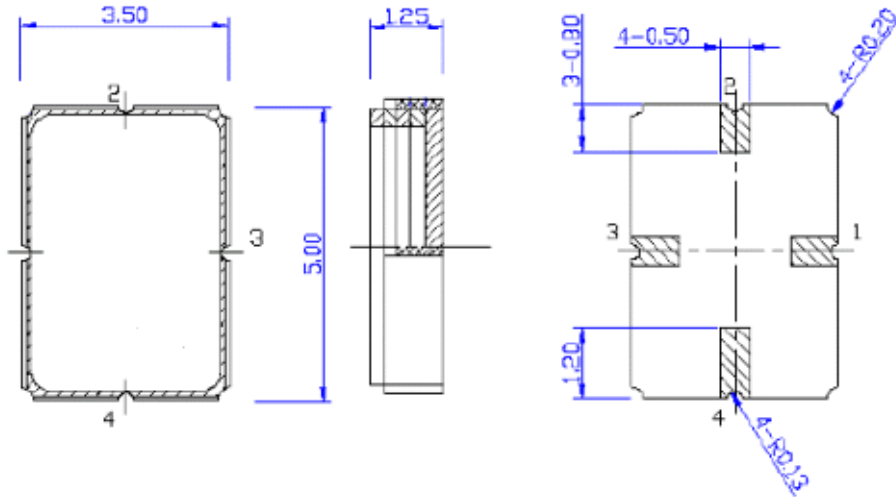
One-Port Resonator:



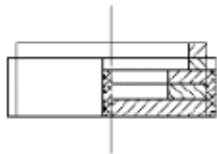
SAW Resonator 418.0MHz
Part No: MP11180

Model: TC0481A
Rev No: 1

E. OUTLINE DRAWING:



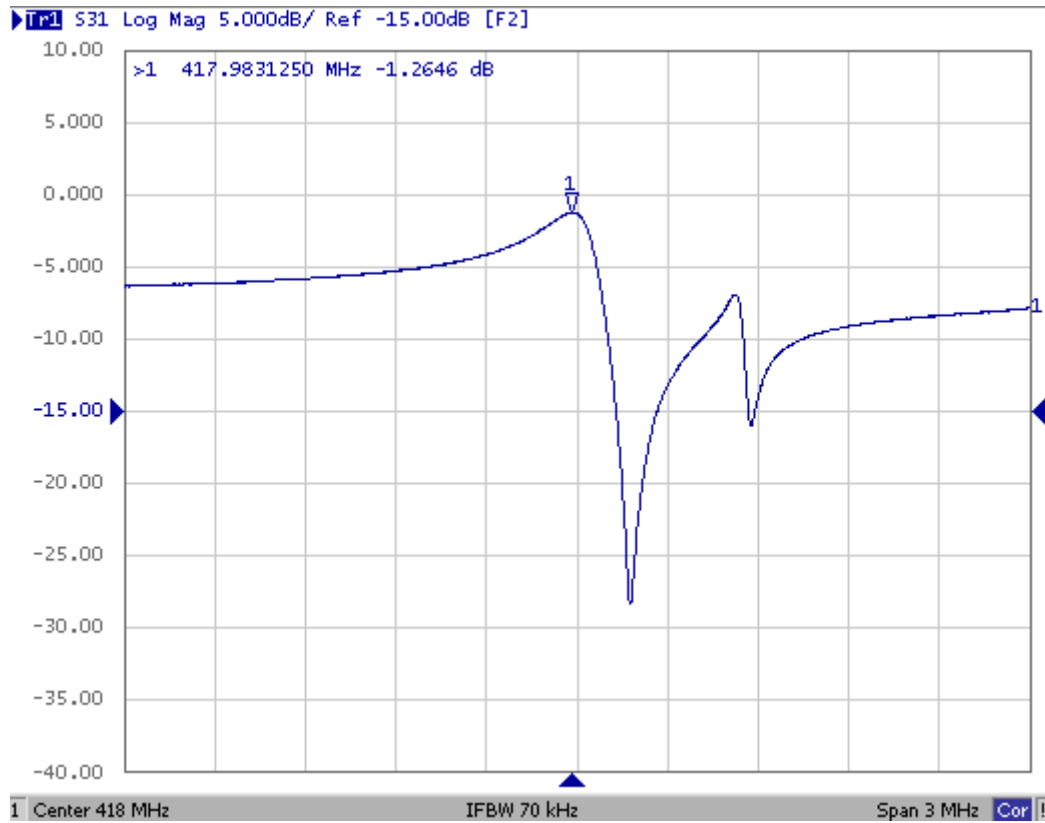
Pin 1 : Input
Pin 3 : Output
Pin 2,4 : Ground



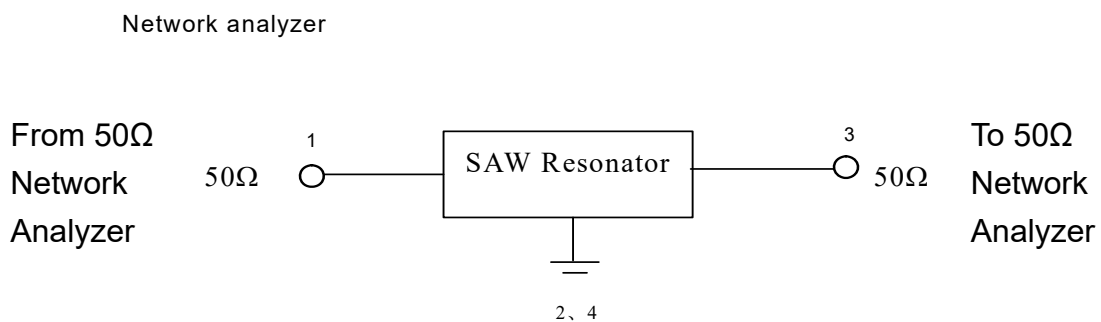
SAW Resonator 418.0MHz
Part No: MP11180

Model: TC0481A
Rev No: 1

F. FREQUENCY CHARACTERISTICS:



G. TEST CIRCUIT:



SAW Resonator 418.0MHz
Part No: MP11180

Model: TC0481A
Rev No: 1

I. RECOMMENDED REFLOW PROFILE:

