
353.10MHz SAW Filter**Model: TB0421A****Part No: MP01032****REV NO: 1**

A. MAXIMUM RATINGS:

1. Input Power Level: 10 dBm
2. Operating Temperature: -20 °C ~ 70°C
3. Storage Temperature: -40°C to 80°C

B. ELECTRICAL CHARACTERISTICS:

1. Ambient Temperature: 25 °C

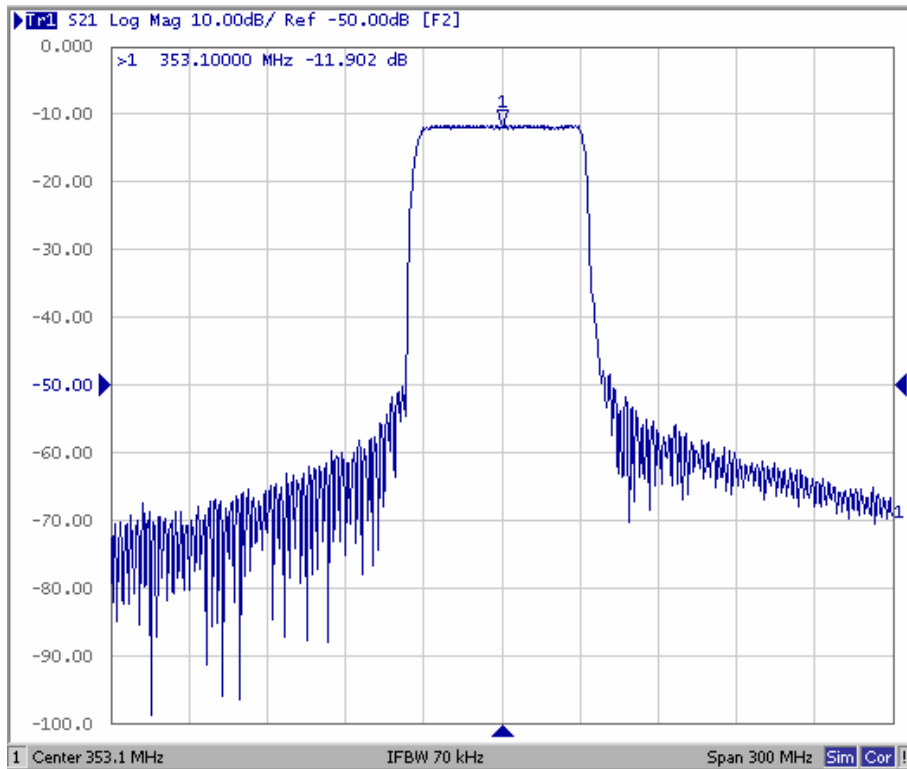
Characteristics	Value			Note
	Min.	Typ.	Max.	
Center frequency F_C MHz	-	353.1	-	-
Minimum Insertion loss I.L. dB	-	13.0	15	-
1 dB Bandwidth MHz	62	64.5	-	-
3 dB Bandwidth MHz	65	67.2	-	-
40 dB Bandwidth MHz	-	79	-	-
Ripple (328.1~378.1MHz) dB	-	0.5	1.0	-
Group-delay Ripple (323.1~383.1MHz) nsec	-	30	100	-
Attenuation (Reference level from Minimum insertion loss)				
(1) 133.1~193.1MH dB	25	60	-	-
(2) 611MHz dB	40	60	-	-

353.10MHz SAW Filter
Part No: MP01032

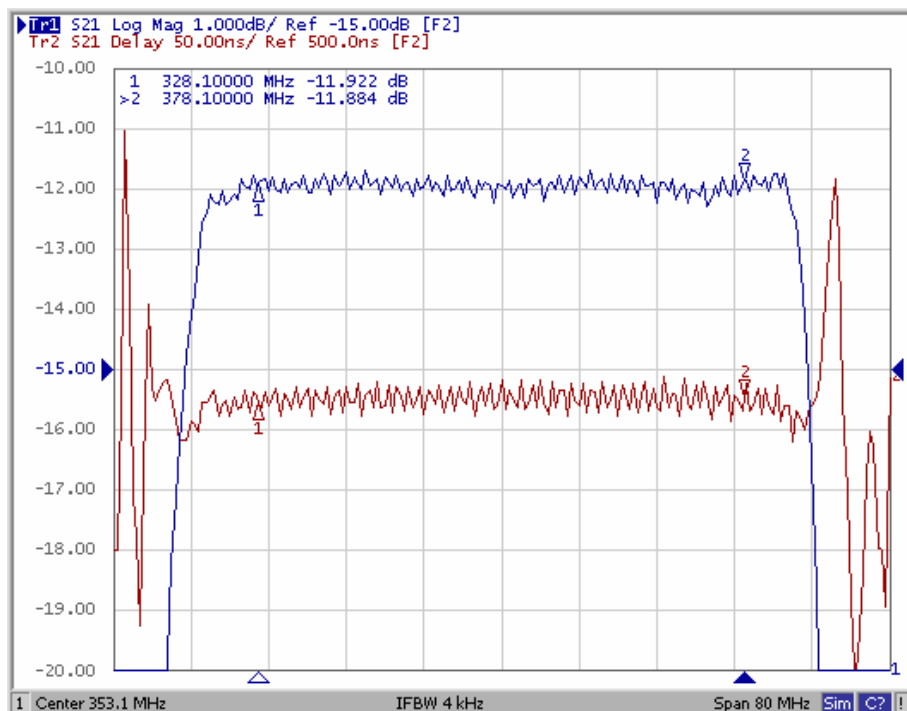
Model: TB0421A
REV NO: 1

C. FREQUENCY CHARACTERISTICS:

1. S21 Response:(span 300MHz)



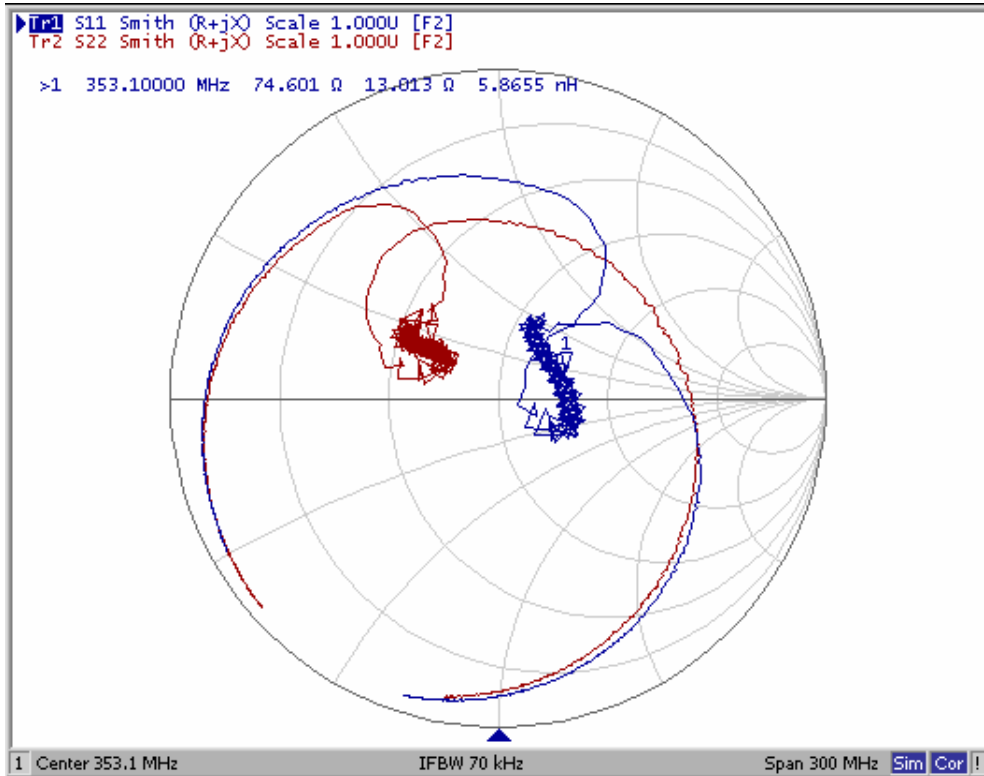
2. Passband Response: (span 100MHz)



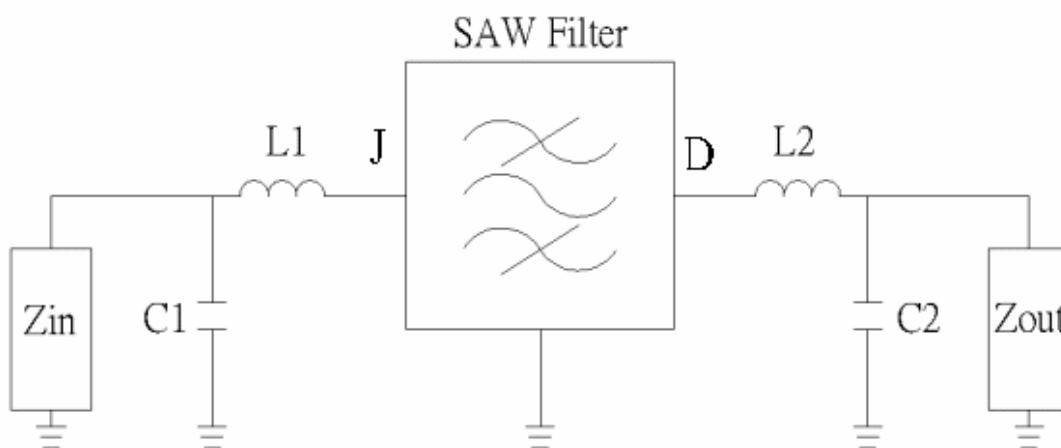
353.10MHz SAW Filter
Part No: MP01032

Model: TB0421A
REV NO: 1

3. S11, S22 Smith-Chart:



D. TEST CIRCUIT:



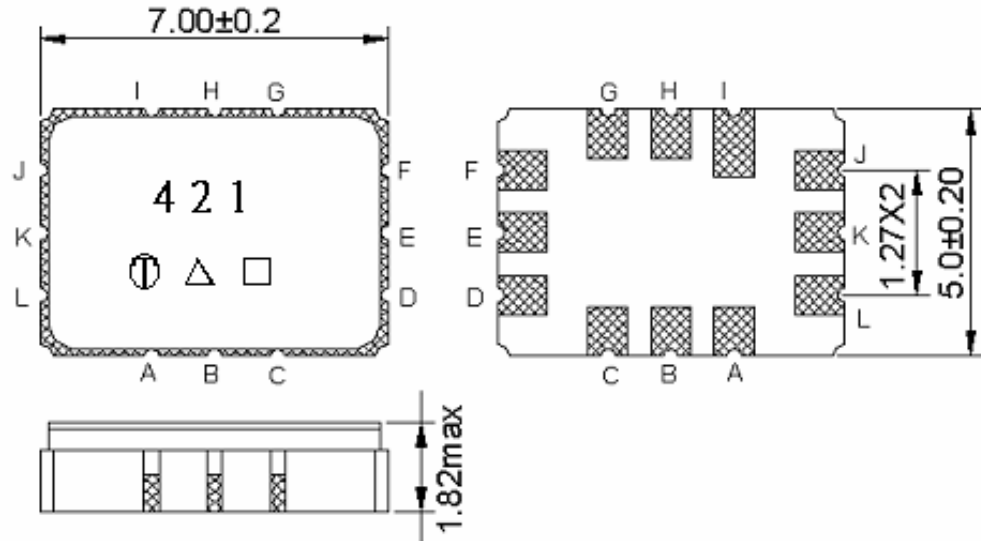
Zin and Zout are 50 Ω.

L1=10nH, C1=18pF, L2=12nH, C2=15pF

353.10MHz SAW Filter
Part No: MP01032

Model: TB0421A
REV NO: 1

E. OUTLINE DRAWING:



Pin J: RF input
 Pin D: RF output
 Pin K, L, A, B, C, E, F, I, H, G: Ground

□ : Week Code (Follow the table from planner each year)

Unit: mm

△ : Product / Year Code

Year	2005 2009	2006 2010	2007 2011	2008 2012
Product Code	B	b	<u>B</u>	<u>b</u>

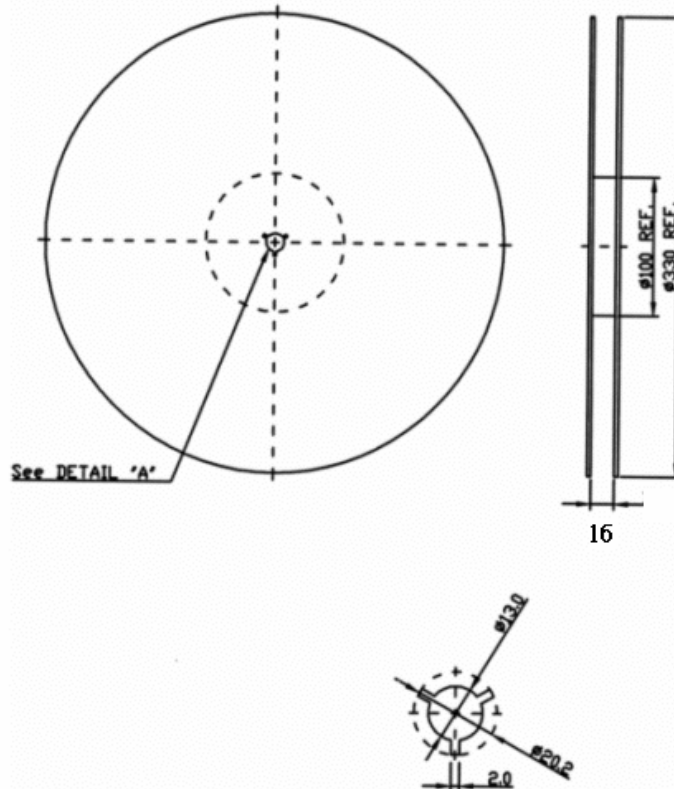
353.10MHz SAW Filter
Part No: MP01032

Model: TB0421A
REV NO: 1

F. PACKING:

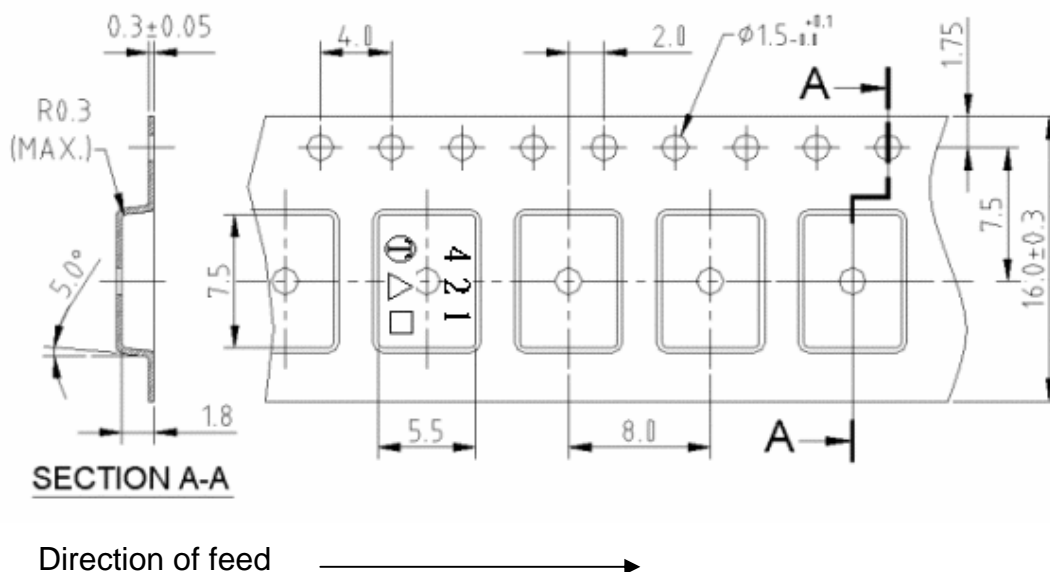
1. REEL DIMENSION

(Reel Count: 7"=1000 typ.; 13"=2000 typ.)



2. TAPE DIMENSION

KTR0180 FOR(5.0X7.0)



353.10MHz SAW Filter
Part No: **MP01032**

Model: **TB0421A**
REV NO: 1

G. RECOMMENDED REFLOW PROFILE:

