

SAW Resonator 433.92MHz

Model: TC0244A

Part No: **MA07826**

REV. NO.: 1

A. FEATURES:

- 1-Port Resonator.

B. MAXIMUM RATING:

1. Input Power Level: 0 dBm
2. DC voltage: 12 V
3. Operating Temperature: -40°C to +85°C
4. Storage Temperature: -40°C to +85°C

C. ELECTRICAL CHARACTERISTICS:

Reference Temperature $T_A=25^{\circ}\text{C}$

Characteristic	Units	Minimum	Typical	Maximum
Center frequency f_c	MHz	433.845	433.920	433.995
Insertion Loss IL	dB	-	0.9	2.0
Unload quality factor Q_U		6000	8000	-
Ageing of f_c	ppm/yr	-	-	± 10
Motional capacitance C_1	fF	-	3.57	-
Motional inductance L_1	μH	-	37.68	-
Motional resistance R_1	Ohm	-	12.95	-
Parallel capacitance C_0	pF	-	4.77	-
Frequency Temperature coefficient (C_f)	ppm/c*2	-	0.032	-
Turnover T_o	deg.C	10	25	40
Package size		SMD 3X3X1.1 mm		

Temperature dependence of f_c : $f_c(T_A)=f_c(T_O)(1+TC_f(T_A-T_O)^2)$

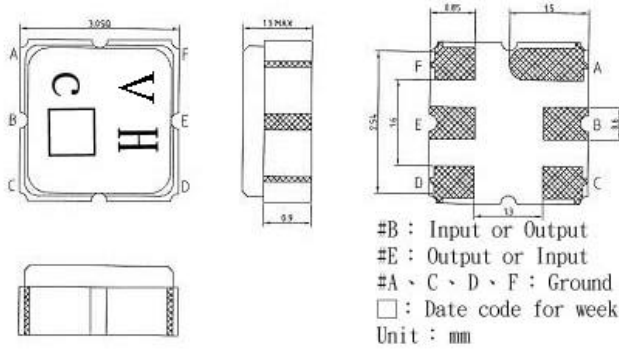
SAW Resonator 433.92MHz

Model: TC0244A

Part No: MA07826

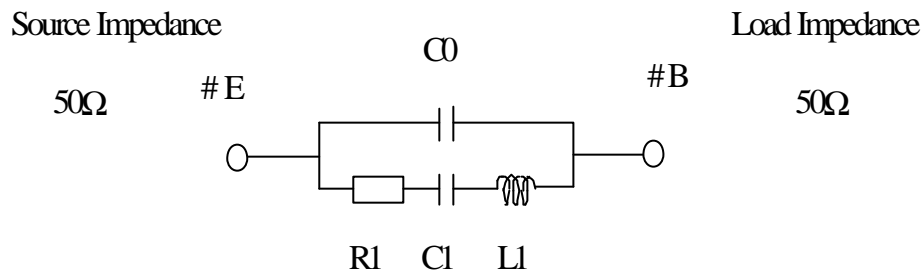
REV. NO.: 1

D. OUTLINE DRAWING:



E. EQUIVALENT CIRCUIT:

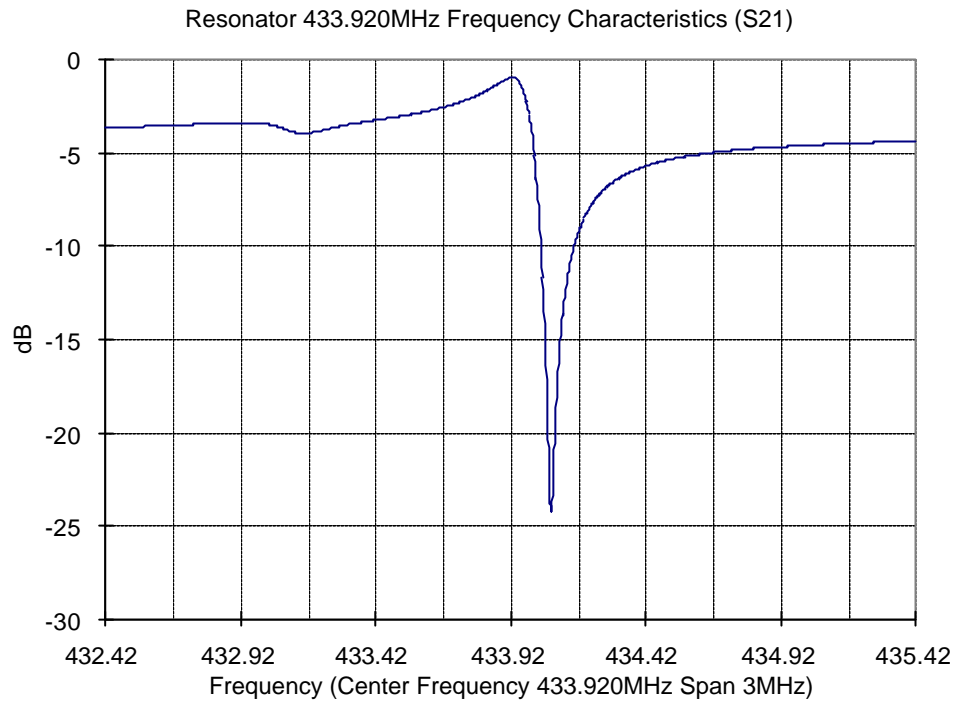
One-Port Resonator:



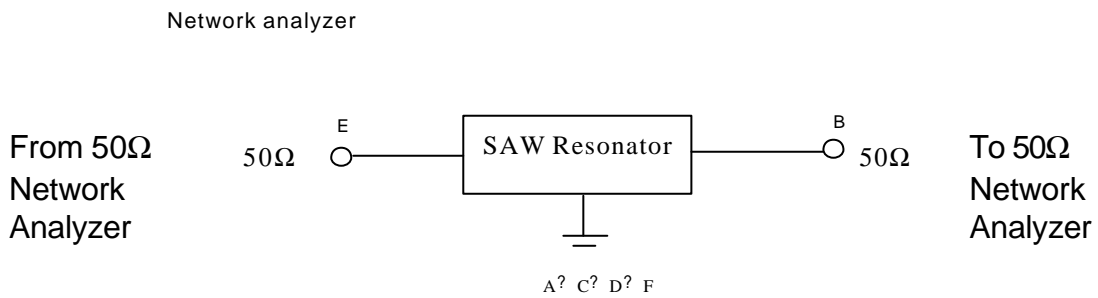
SAW Resonator 433.92MHz
Part No: MA07826

Model: TC0244A
REV. NO.: 1

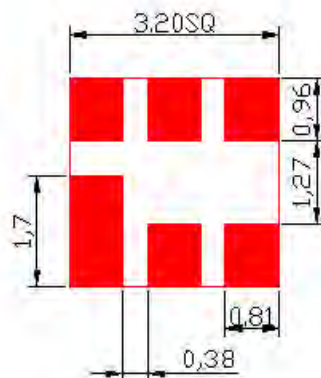
F. FREQUENCY CHARACTERISTICS:



G. TEST CIRCUIT:



H. PCB Footprint:

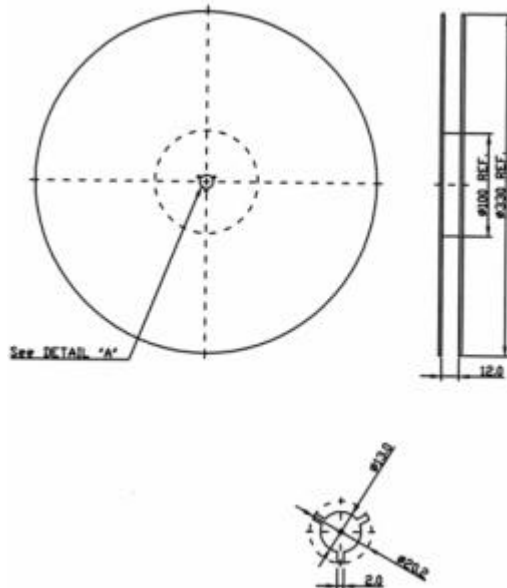


SAW Resonator 433.92MHz
Part No: MA07826

Model: TC0244A
REV. NO.: 1

I. PACKING:

1. REEL DIMENSION



2. TAPE DIMENSION

