

**SAW Resonator 1568.9790MHz**  
**Part No: MP10266**

**Model: TC0663A**  
**Rev No: 1**

**A. MAXIMUM RATING:**

Electrostatic Sensitive Device

1. Input Power Level: 0dBm
2. DC voltage: 0V
3. Operating Temperature: -40°C to +85°C
4. Storage Temperature: -40°C to +85°C
5. Moisture Sensitive Level (MSL): Level 1

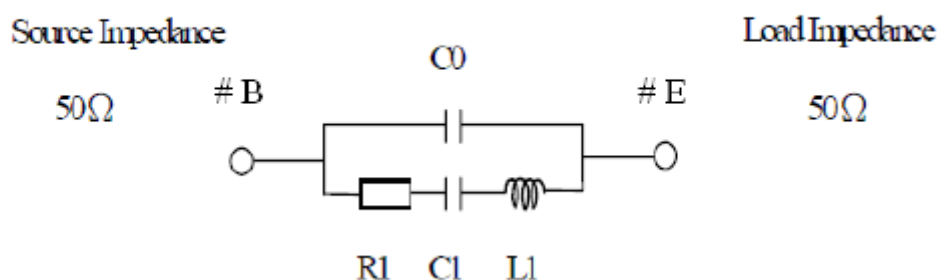
**B. ELECTRICAL CHARACTERISTICS:**

Characteristic	Unit	Min.	Typ.	Max.
Center frequency Fc	MHz	1568.679	1568.979	1569.279
Insertion Loss IL	dB		1.2	2.5
Unload Quality Factor	-		5000	
Motional Capacitance C <sub>1</sub>	fF		5.22	
Motional Inductance L <sub>1</sub>	μH		1.97	
Motional Resistance R <sub>1</sub>	Ohm		3.88	
Parallel Capacitance C <sub>0</sub>	pF		2.42	
Frequency Temperature coefficient	ppm/°C		-0.05	
Turnover T <sub>0</sub>	°C	10	25	40
Package size	mm	SMD 3.0 x 3.0		

Temperature dependent of Fc:  $F_c(T_A) = F_c(T_0) (1 - TC_f(T_A - T_0)^2)$

**C. EQUIVALENT CIRCUIT:**

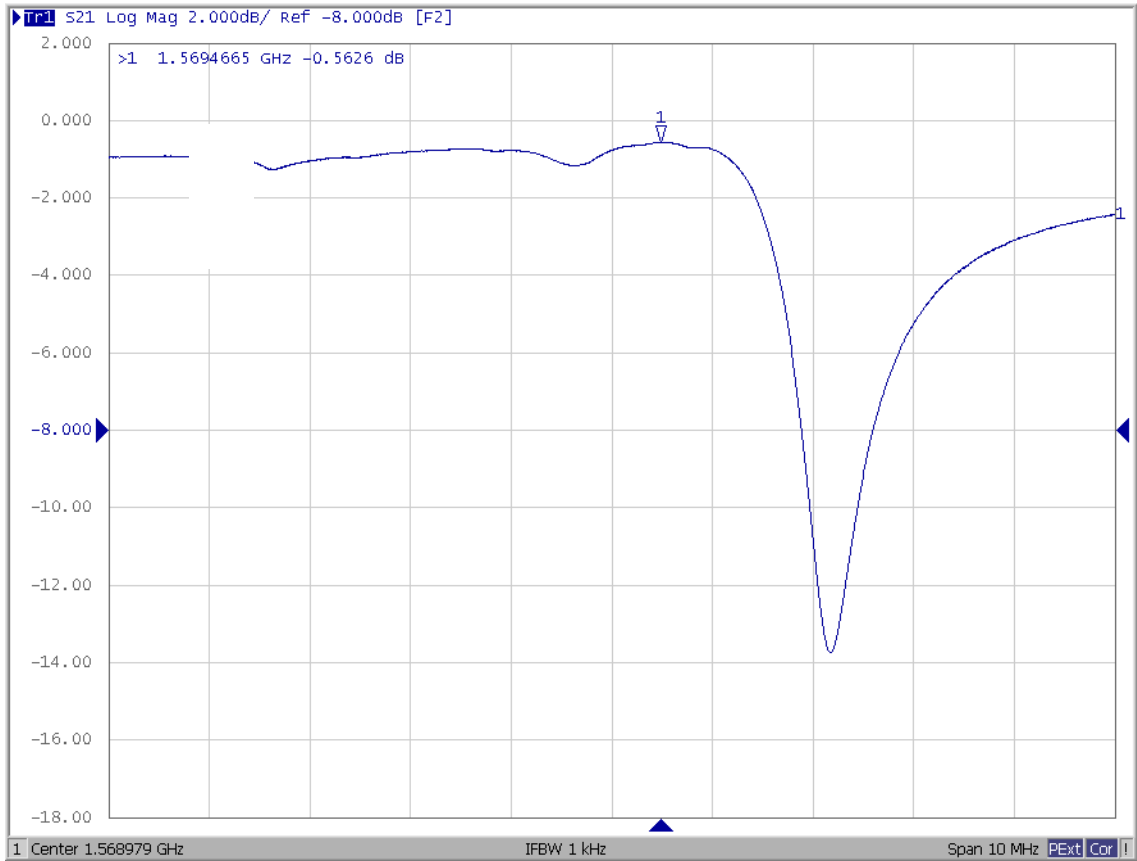
One-Port Resonator:



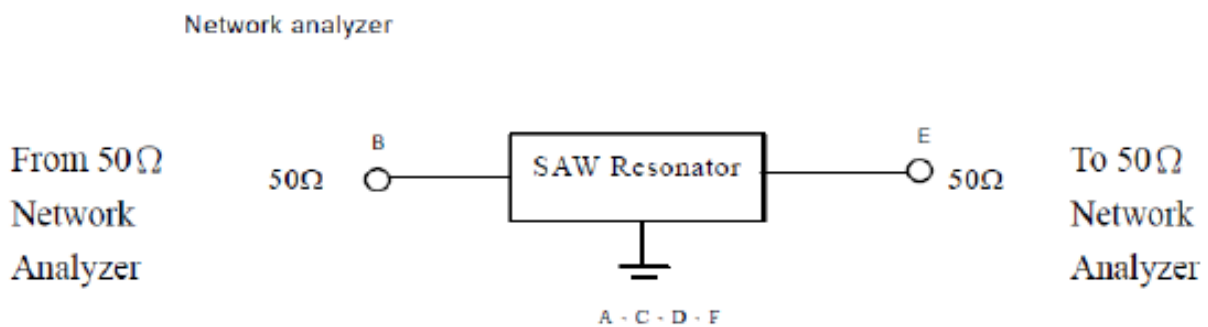
**SAW Resonator 1568.9790MHz**  
**Part No: MP10266**

**Model: TC0663A**  
**Rev No: 1**

**D. FREQUENCY CHARACTERISTICS:**



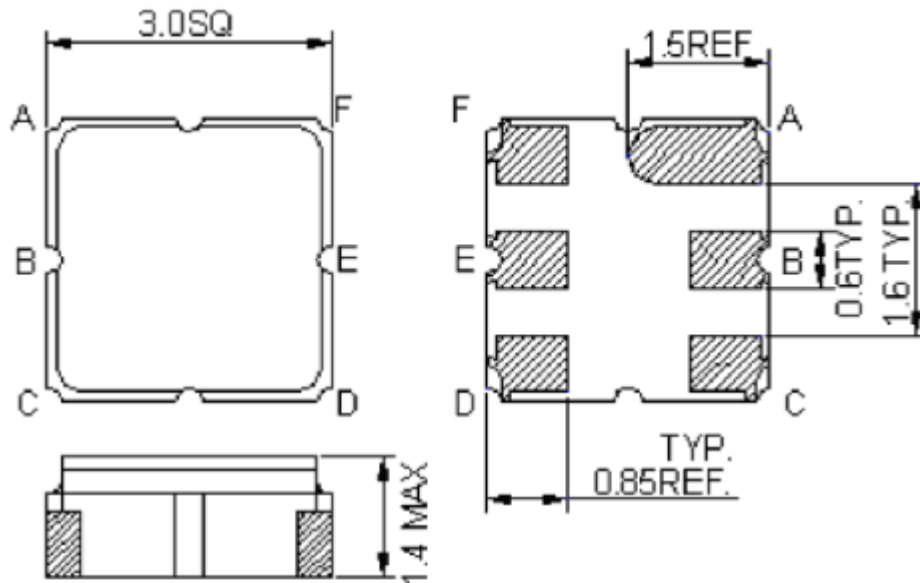
**E. TEST CIRCUIT:**



**SAW Resonator 1568.9790MHz**  
**Part No: MP10266**

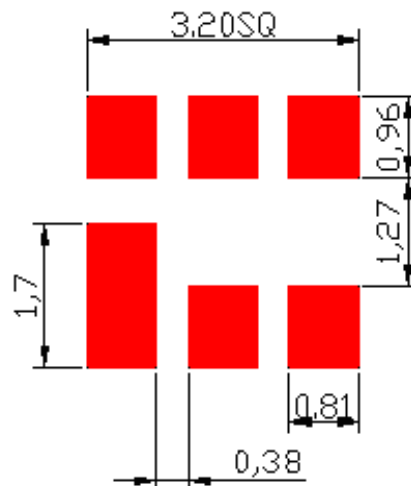
**Model: TC0663A**  
**Rev No: 1**

**F. OUTLINE DRAWING:**



B: Input  
 E: Output  
 A, C, D, F: Ground  
 Unit: mm

**G. PCB FOOTPRINT:**

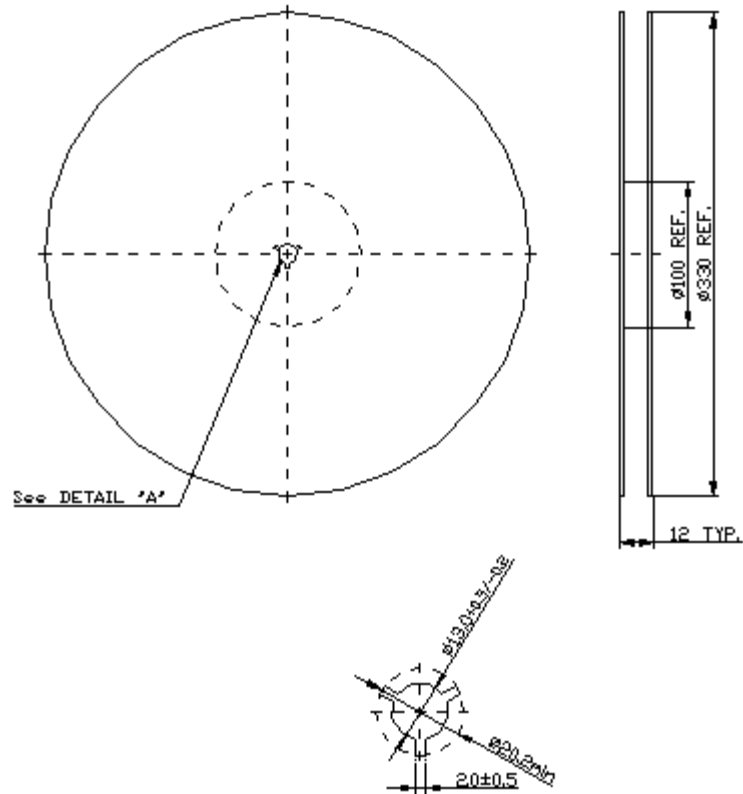


**SAW Resonator 1568.9790MHz**  
**Part No: MP10266**

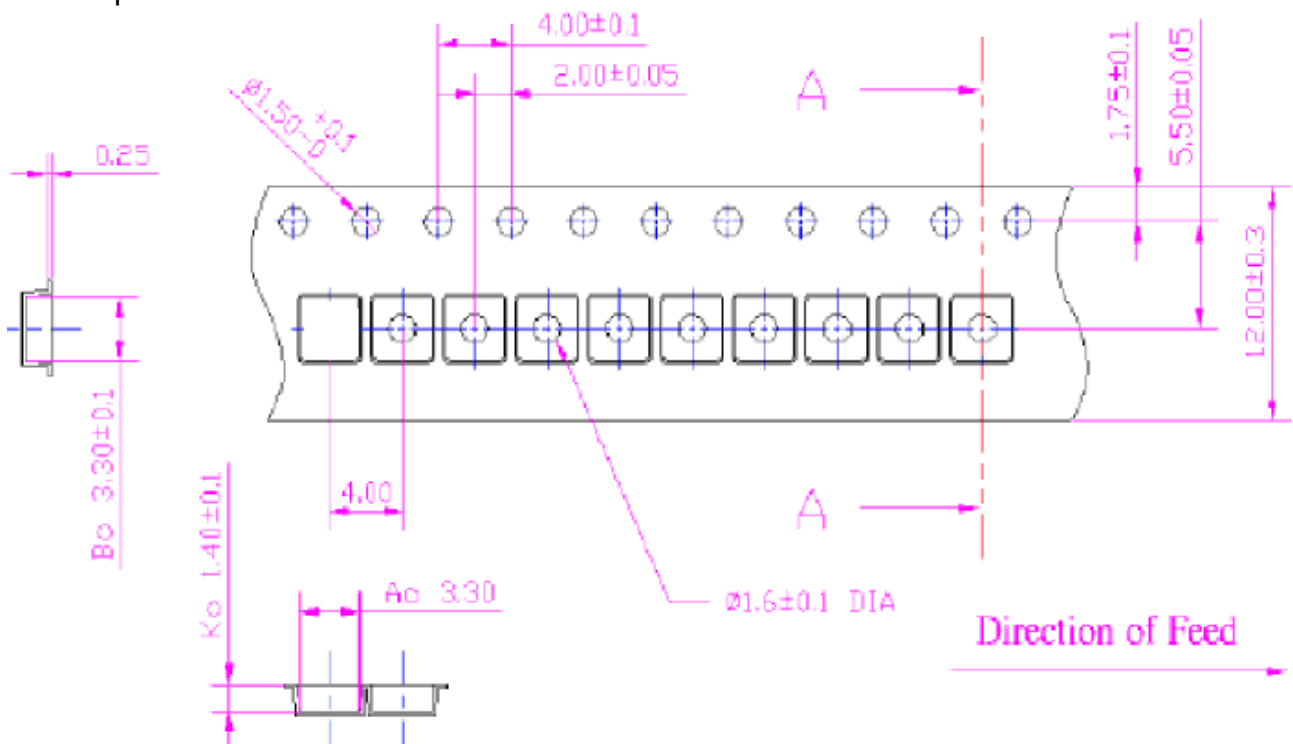
**Model: TC0663A**  
**Rev No: 1**

**H. PACKING:**

1. Reel Dimensions



2. Tape Dimensions



**SAW Resonator 1568.9790MHz**  
**Part No: MP10266**

**Model: TC0663A**  
**Rev No: 1**

**I. RECOMMENDED REFLOW PROFILE:**

1. Preheating shall be fixed at 150 ~ 180°C for 60 ~ 90 seconds.
2. Ascending time to preheating temperature 150°C shall be 30 seconds min.
3. Heating shall be fixed at 220°C for 50 ~ 80 seconds and at 260°C +0/-5°C peak (20 ~ 40 sec).
4. Time: 2 times.

