

**SAW Filter 452.50MHz**  
**Part No: MP04699**

**Model: TA1421A**  
**Rev No: 4**

**A. MAXIMUM RATING:**

Electrostatic Sensitive Device (ESD)

1. Input Power Level: 27dBm
2. DC Voltage: 0V
3. Operating Temperature: -40°C to +85°C
4. Storage Temperature: -40°C to +85°C

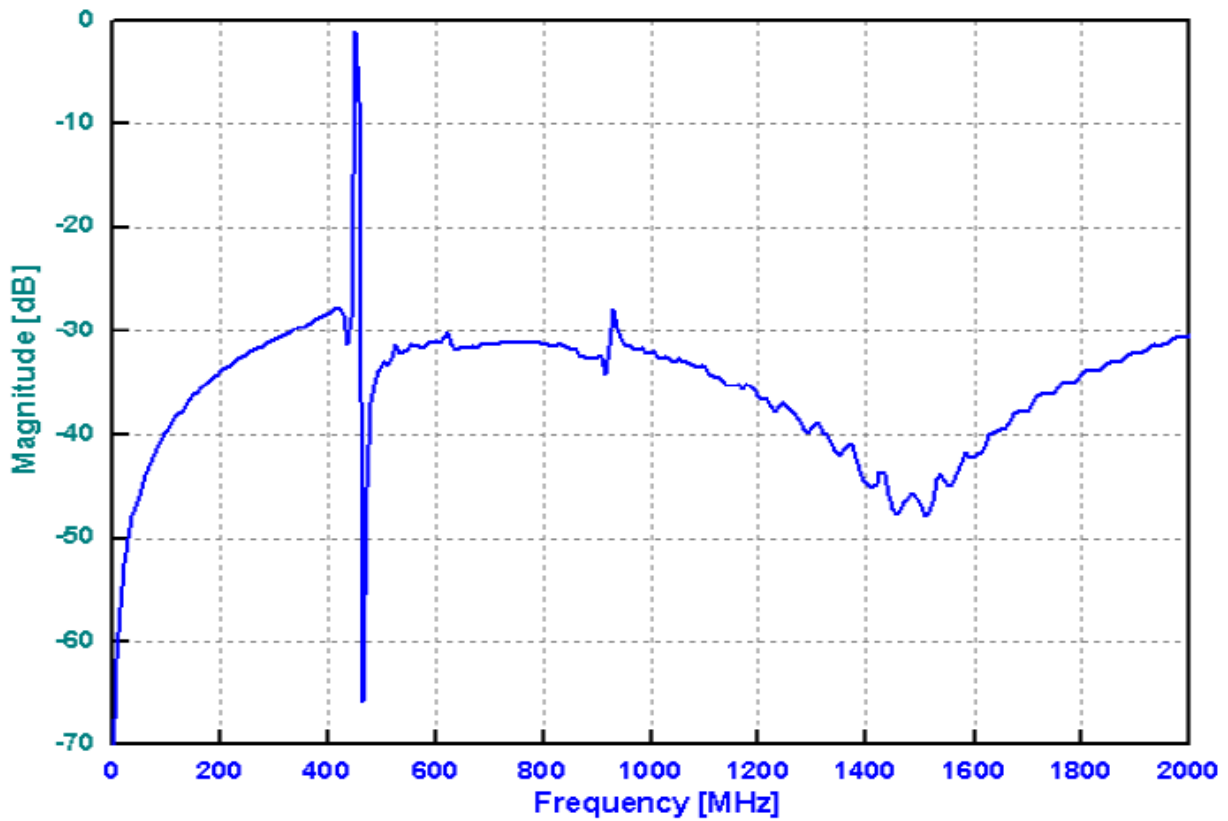
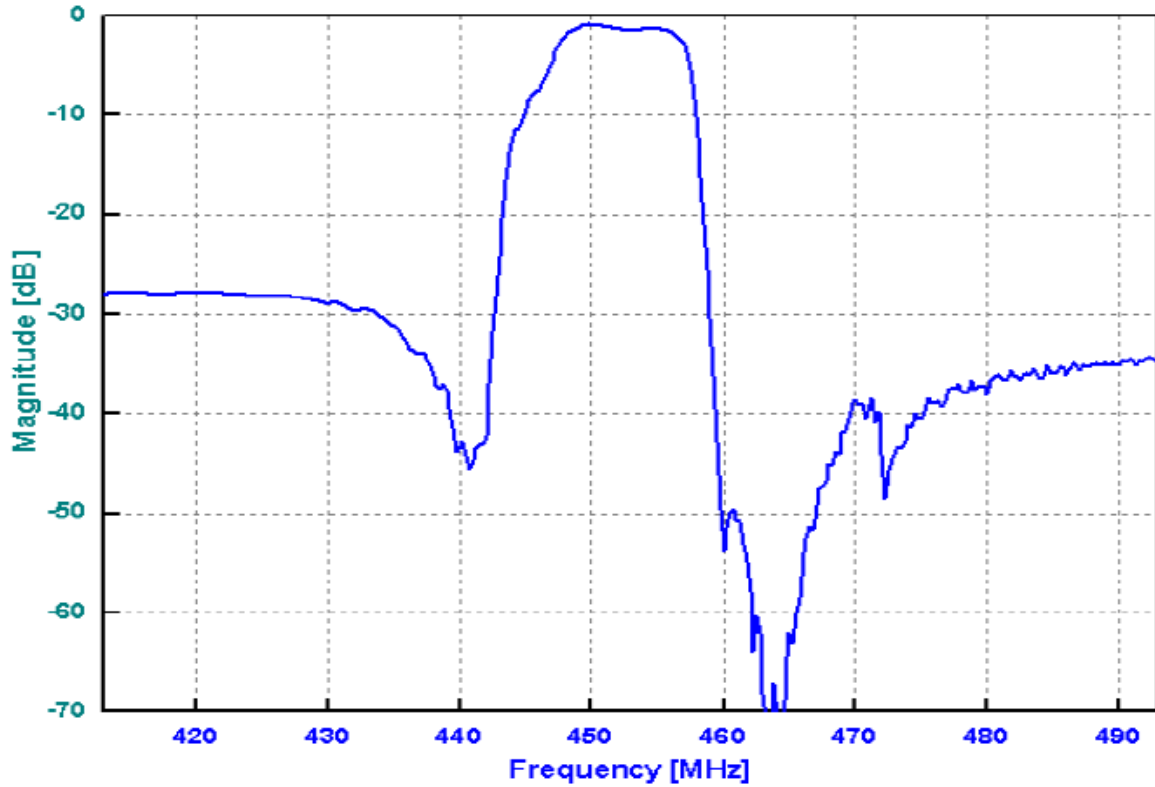
**B. ELECTRICAL CHARACTERISTICS:**

Item	Min.	Typ.	Max.	Note
Center frequency, Fc (MHz)	-	452.5	-	
Minimum IL (dB) (450 ~ 454.8MHz)	-	1.8	2.8	
VSWR (450 ~ 454.8MHz)	-	1.4	2.0	
Attenuation: (dB)	-	-	-	
0.3 ~ 440MHz	25	28	-	
460 ~ 464.8MHz	30	49	-	
465 ~ 1700MHz	25	28	-	
1700 ~ 2000MHz	20	23	-	
Source Impedance (ohm)	-	50	-	
Load Impedance (ohm)	-	50	-	

**SAW Filter 452.50MHz**  
**Part No: MP04699**

**Model: TA1421A**  
**Rev No: 4**

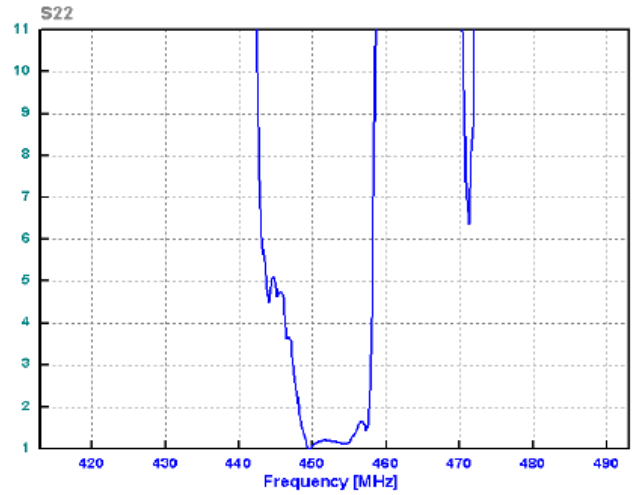
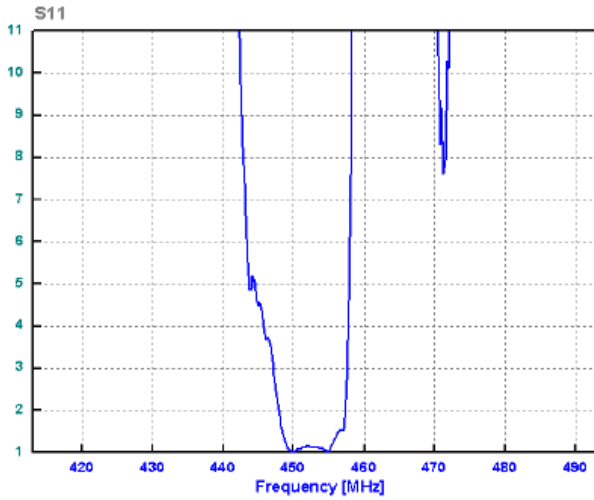
**C. FREQUENCY CHARACTERISTICS:**



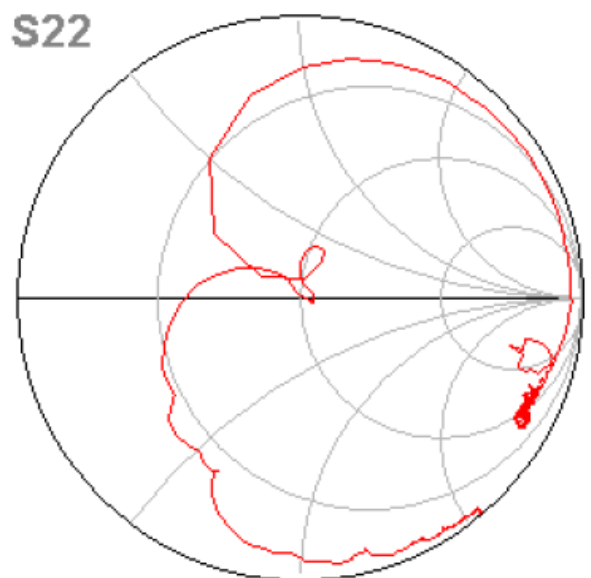
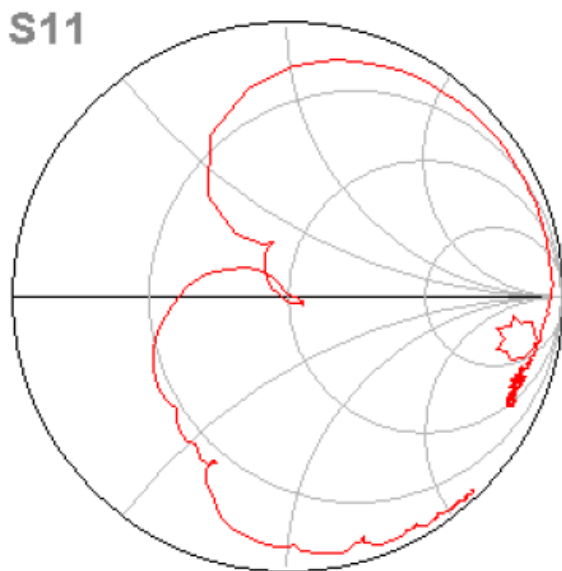
**SAW Filter 452.50MHz**  
**Part No: MP04699**

**Model: TA1421A**  
**Rev No: 4**

1. VSWR



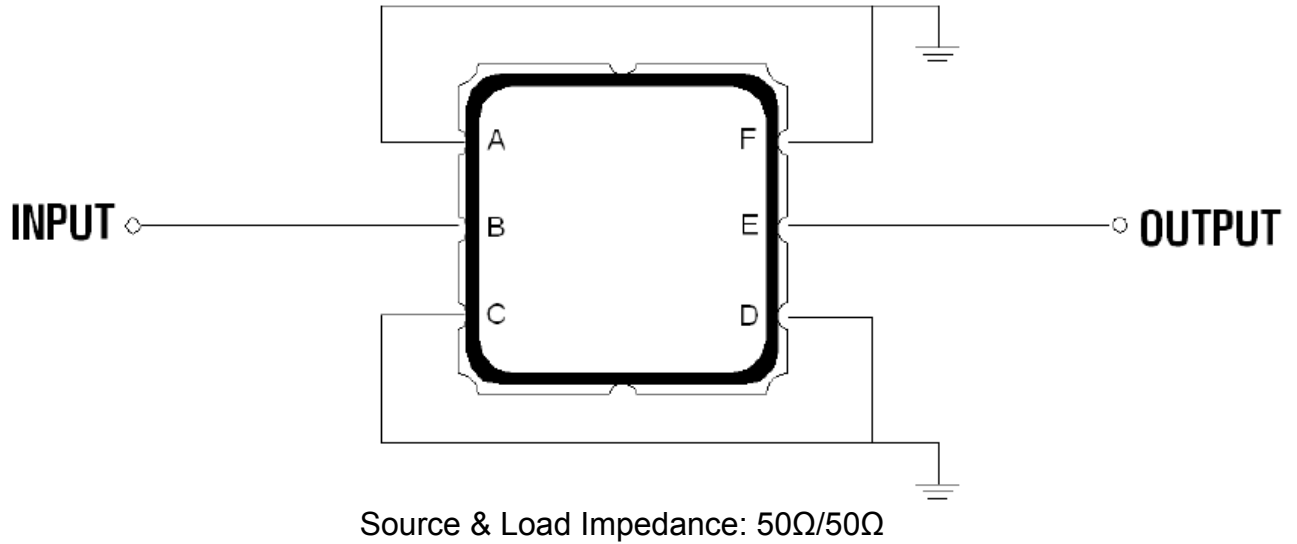
2. Smith-Chart



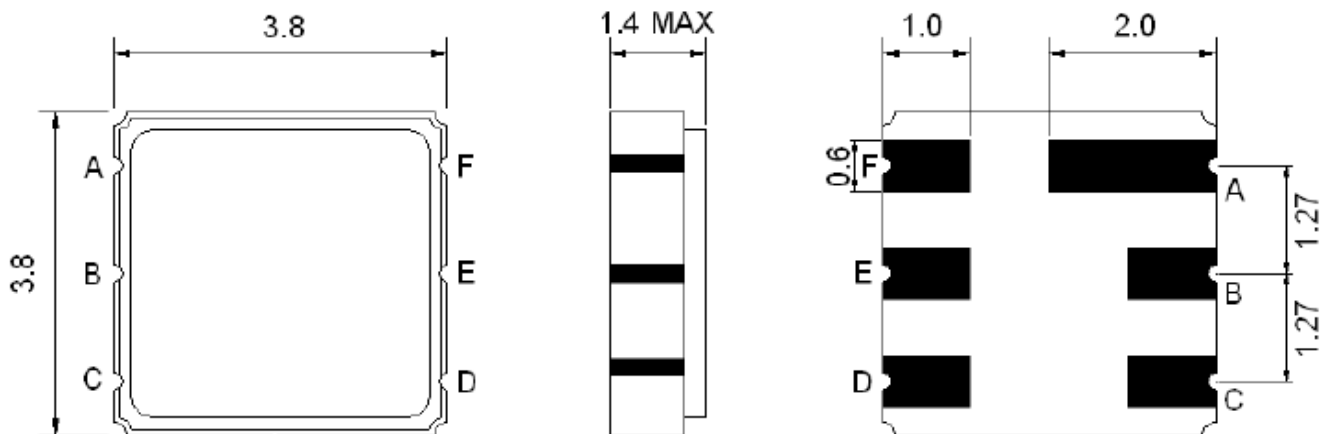
**SAW Filter 452.50MHz**  
**Part No: MP04699**

**Model: TA1421A**  
**Rev No: 4**

**D. MEASUREMENT CIRCUIT:**



**E. OUTLINE DRAWING:**



A, C, D, F: Ground  
B: In  
E: Out

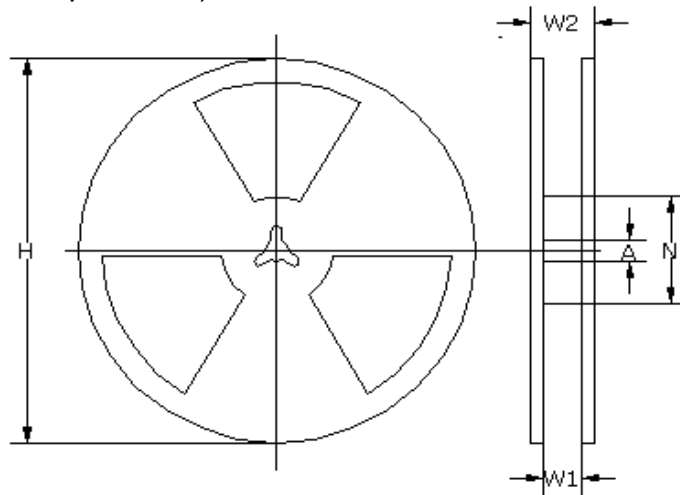
**SAW Filter 452.50MHz**  
**Part No: MP04699**

**Model: TA1421A**  
**Rev No: 4**

**F. PACKING:**

1. Reel Dimension

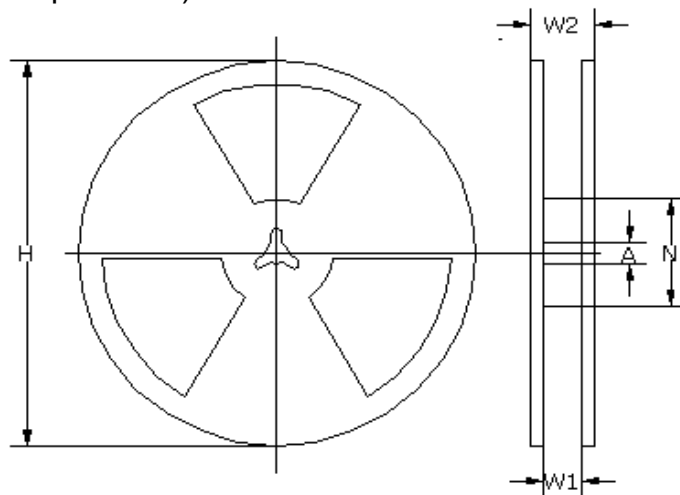
7" spec: (100 ~ 1.5k pcs / reel)



(Unit: mm)

A	N	H	W1	W2
$\Phi 13 \pm 0.5$	$\Phi 62 \pm 1.0$	$\Phi 178.0 \pm 1.0$	$12.0 \pm 1.0$	$16.0 \pm 1.0$

13" spec: (2 ~ 2.5k pcs / reel)



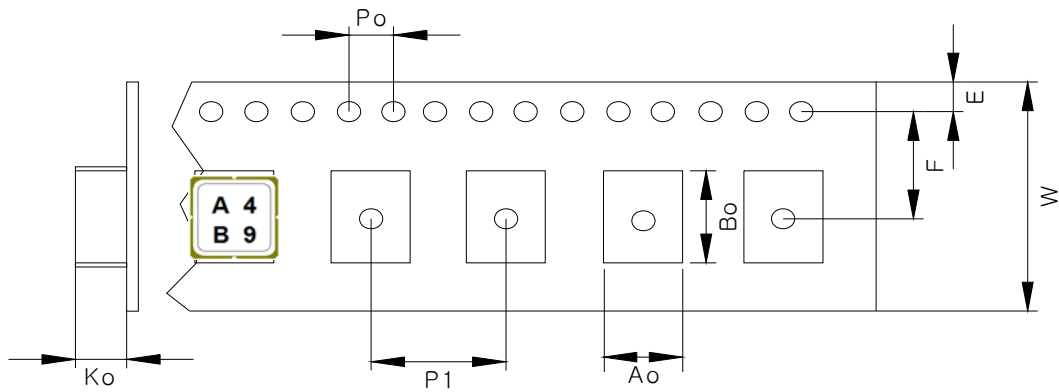
(Unit: mm)

A	N	H	W1	W2
$\Phi 13 \pm 0.5$	$\Phi 62 \pm 1.0$	$\Phi 330.0 \pm 1.0$	$12.0 \pm 1.0$	$16.0 \pm 1.0$

**SAW Filter 452.50MHz**  
**Part No: MP04699**

**Model: TA1421A**  
**Rev No: 4**

2. Tape Dimension



(Unit: mm)

A	B	K0	W	E	F	P0	P1
4.25±0.1	4.25±0.1	1.9±0.1	12.0±0.3	1.75±0.1	5.5±0.1	4.0±0.1	8.0±0.1

**G. RECOMMENDED REFLOW PROFILE:**

(Temperature measured from Reflow-affected Product Surface)

